

# ASSEMBLY INSTRUCTIONS

## Horizon Quadro A 6P workstation

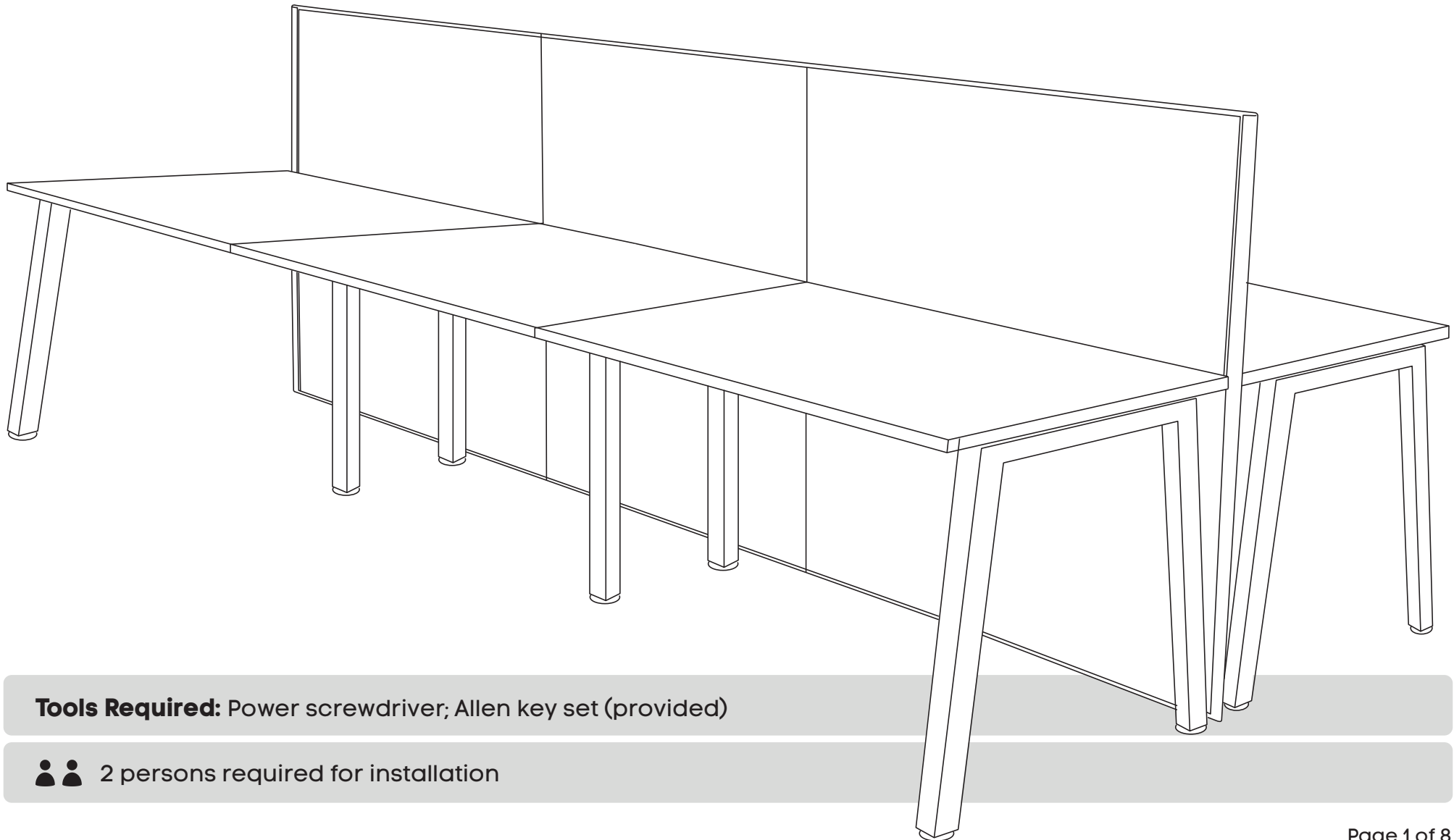
Sizes: 1200x700, 1400x700, 1600x700, 1800x700 mm

[www.jasonl.com.au](http://www.jasonl.com.au)


**Need help!**

Call us on  
**1300 527 665**

**jason.l**  
your office furniture mate



**Tools Required:** Power screwdriver; Allen key set (provided)

 2 persons required for installation

# ASSEMBLY INSTRUCTIONS

## Horizon Quadro A 6P workstation

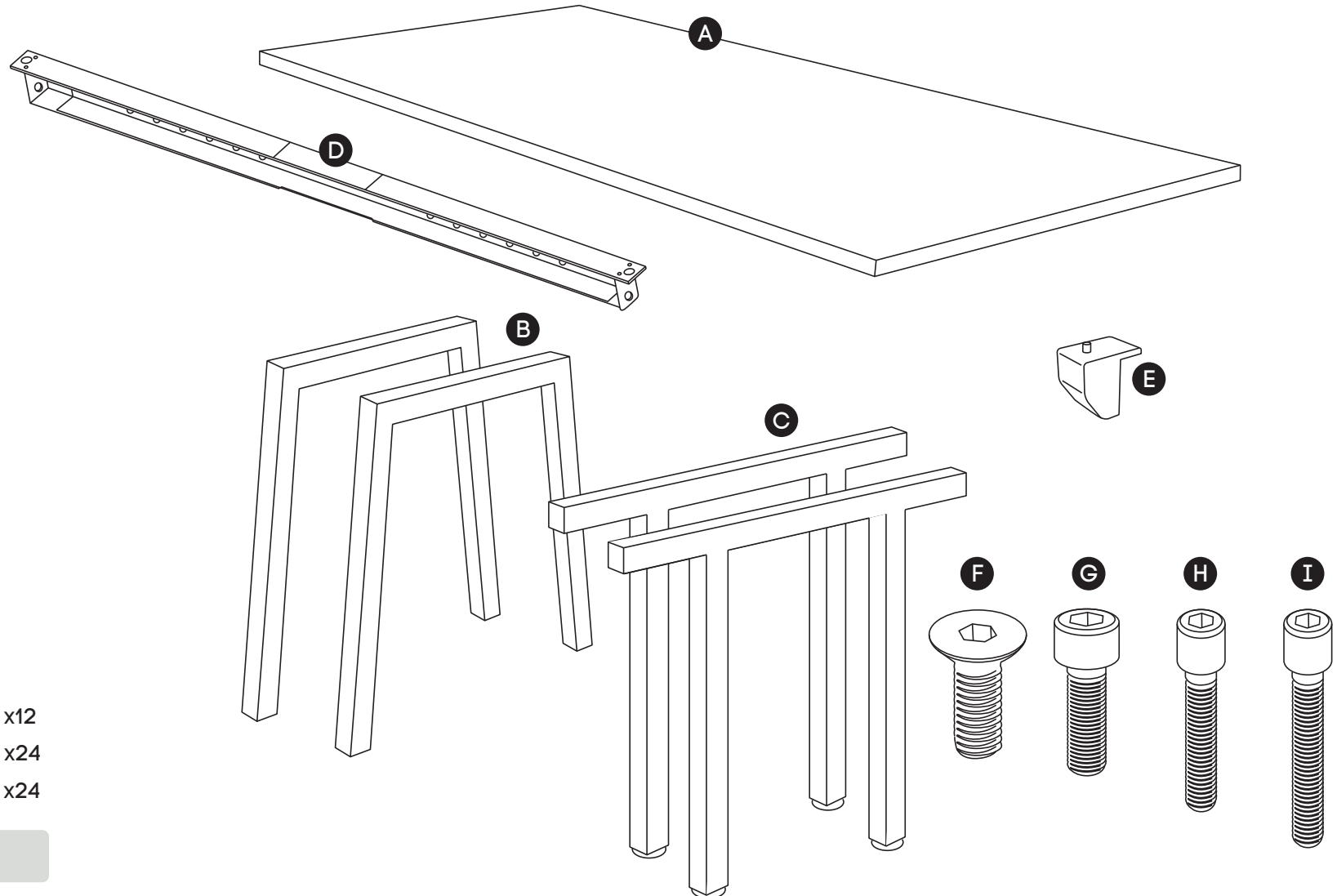
[www.jasonl.com.au](http://www.jasonl.com.au)

**Need help!**  
Call us on  
**1300 527 665**

**jason.l**  
your office furniture mate



Sizes: 1200x700, 1400x700, 1600x700, 1800x700 mm



### COMPONENTS

- A Table top x6
- B Leg Quadro A x2
- C Connector frame x2
- D Beam x8
- E Plastic bracket x24

### SCREWS

- F M8x20MM CSK x12
- G M8x20MM Socket head x12
- H M6x20MM Socket head x24
- I M6x30MM Socket head x24

- J Allen key x2

# ASSEMBLY INSTRUCTIONS

## Horizon Quadro A 6P workstation

[www.jasonl.com.au](http://www.jasonl.com.au)

**Need help!**  
Call us on  
**1300 527 665**

**jason.l**  
your office furniture mate



Sizes: 1200x700, 1400x700, 1600x700, 1800x700 mm



Using Allen Key provided, attach 2 plastic brackets per leg **(E)** (as per picture above) using M6x20MM **(H)** Socket head screw. Do the same with Connector frame **(C)**.



Using Allen Key provided, attach M8x20MM Socket head **(G)**-screw socket half way into leg for all legs **(B)** and into Connector frame **(C)**.

# ASSEMBLY INSTRUCTIONS

## Horizon Quadro A 6P workstation

[www.jasonl.com.au](http://www.jasonl.com.au)

**Need help!**  
Call us on  
**1300 527 665**

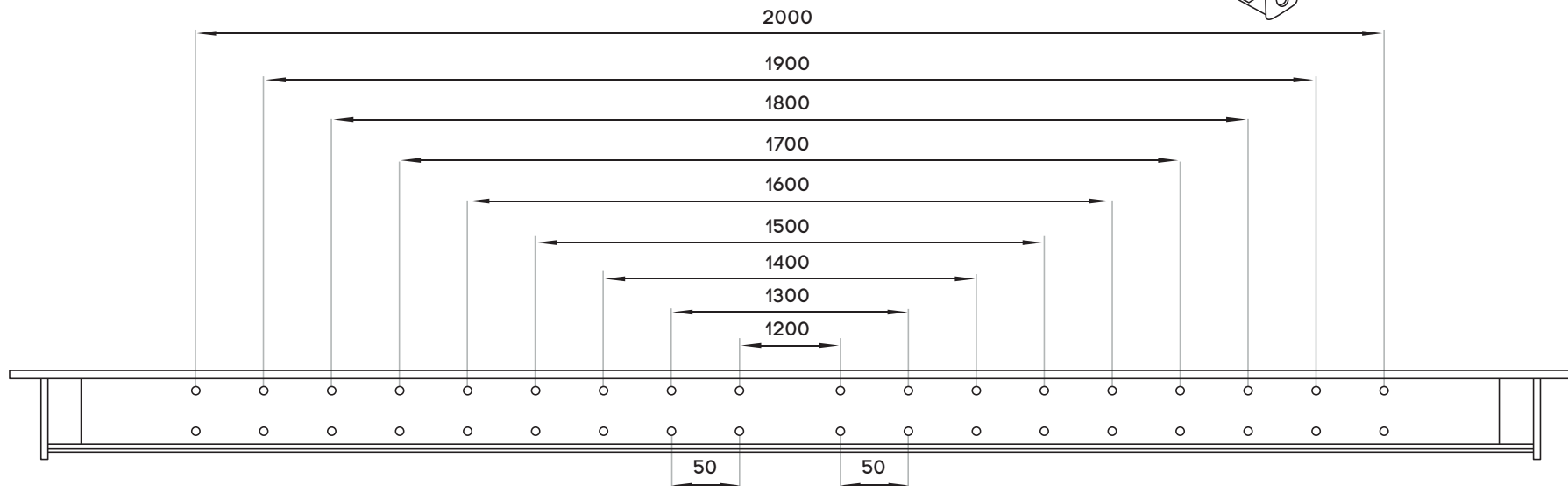
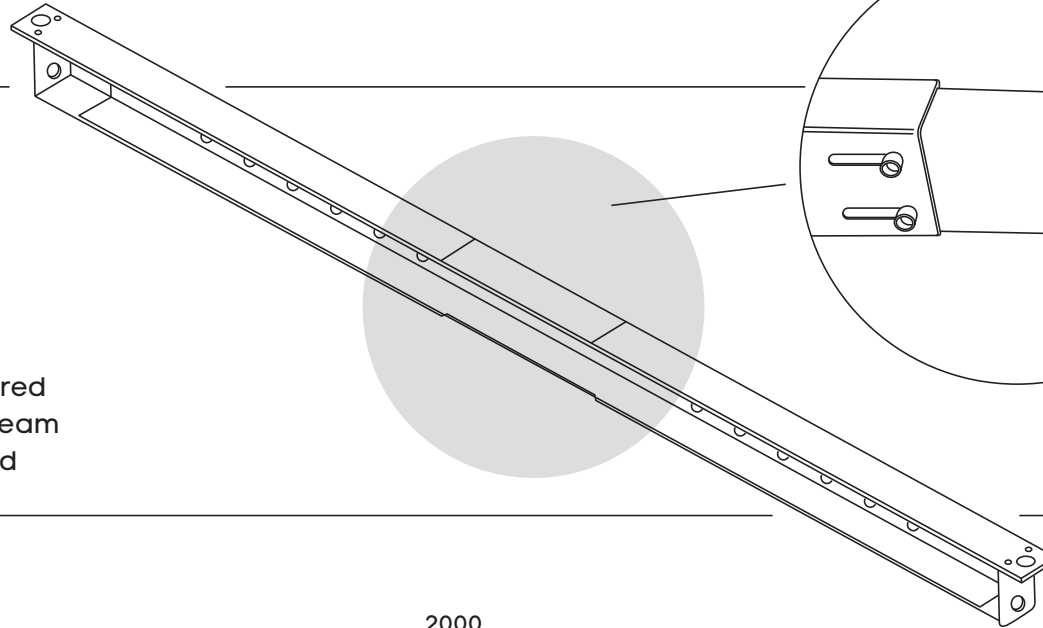
**jason.l**  
your office furniture mate



Sizes: 1200x700, 1400x700, 1600x700, 1800x700 mm

### STEP 03

Adjust extendable beam **(D)** to desired length using markers and secure beam at that length using screws provided



# ASSEMBLY INSTRUCTIONS

## Horizon Quadro A 6P workstation

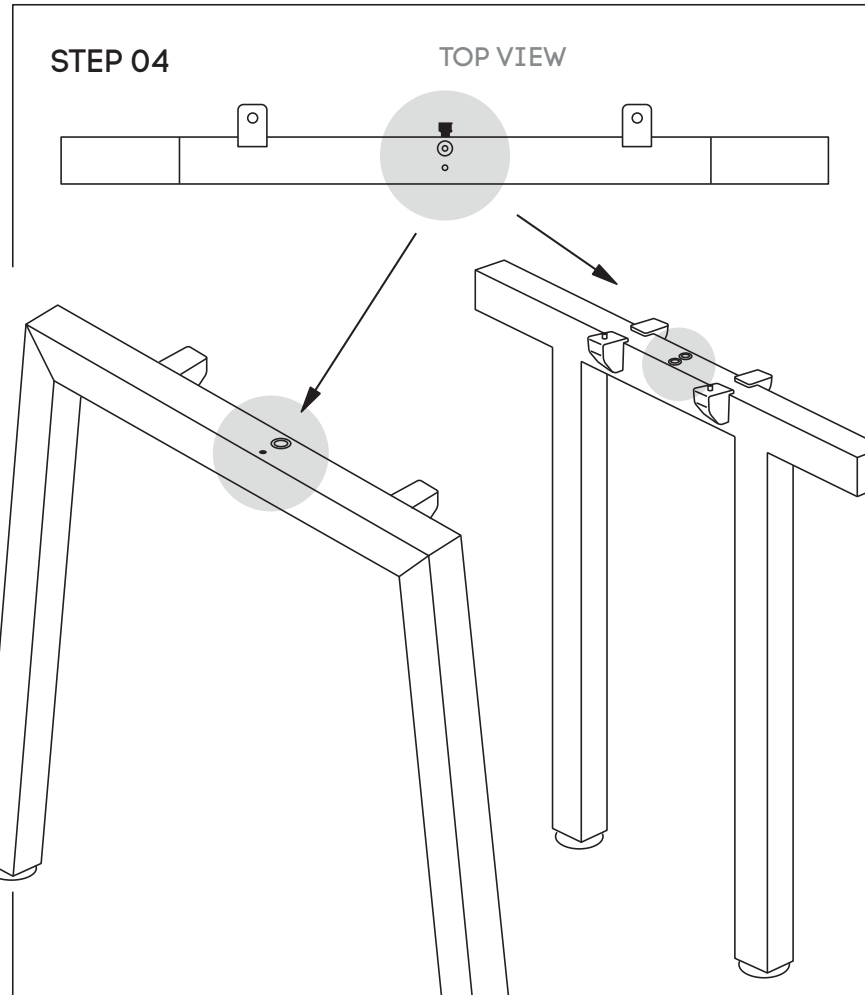
Sizes: 1200x700, 1400x700, 1600x700, 1800x700 mm

[www.jasonl.com.au](http://www.jasonl.com.au)

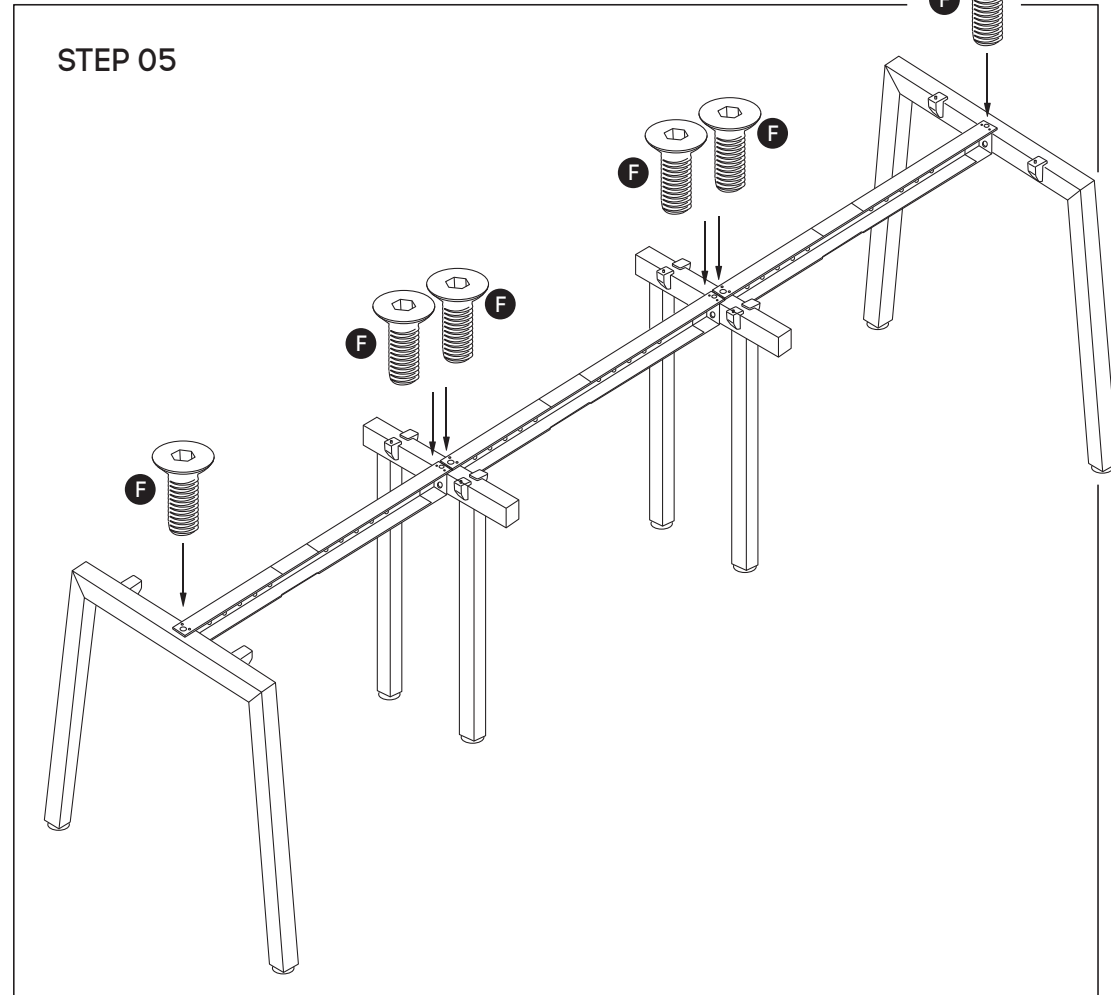
**Need help!**

Call us on  
**1300 527 665**

**jason.l**  
your office furniture mate



Attach beam **(D)** to legs **(B)** and Connector frame **(C)** using nut insert in legs. See point attached



Frame looks like this. Using Allen Key, attach beam **(D)** with Socket **(F)**

# ASSEMBLY INSTRUCTIONS

## Horizon Quadro A 6P workstation

Sizes: 1200x700, 1400x700, 1600x700, 1800x700 mm

[www.jasonl.com.au](http://www.jasonl.com.au)

**Need help!**

Call us on  
**1300 527 665**

**jason.l**  
your office furniture mate

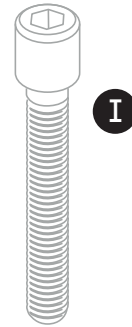
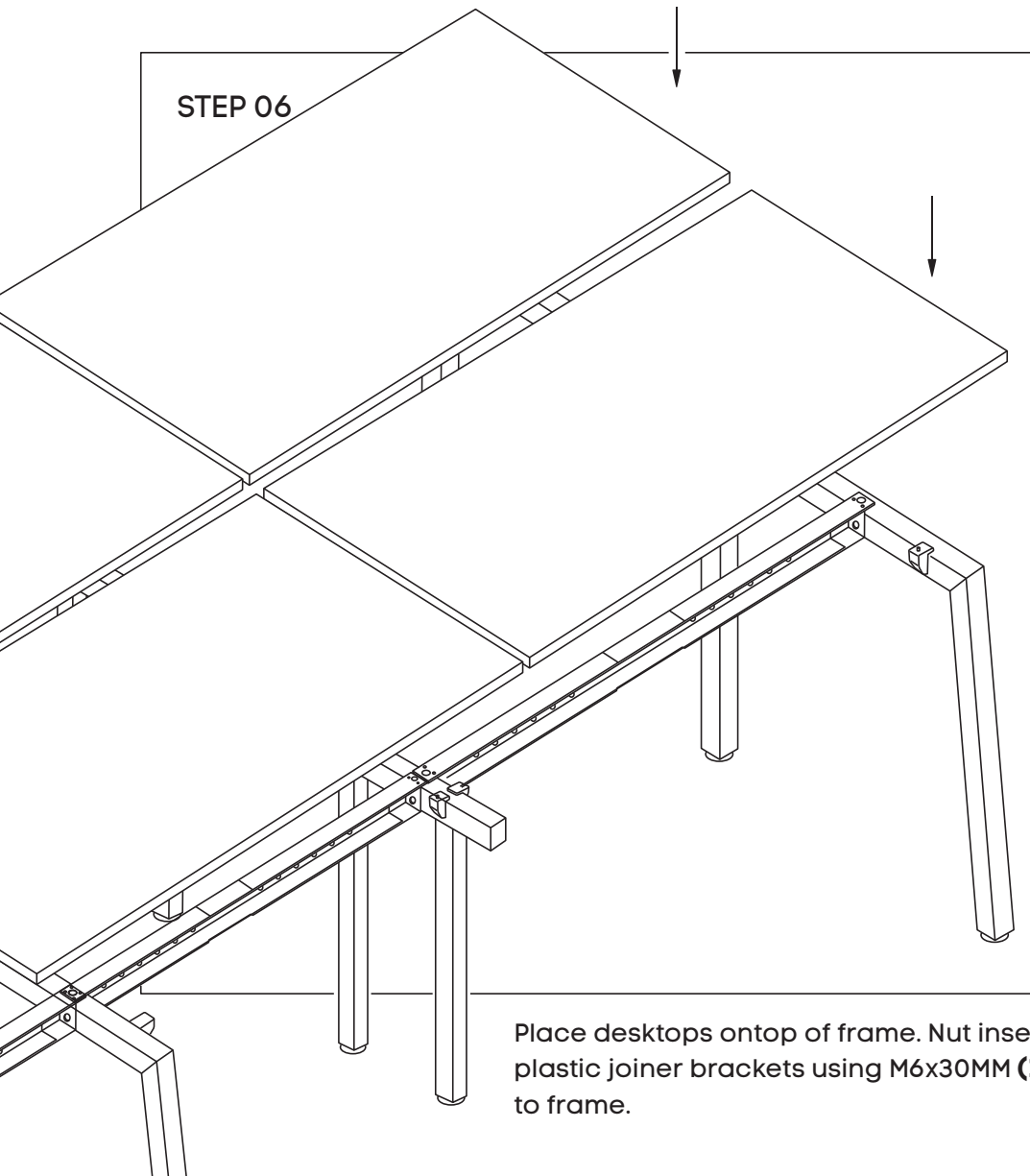
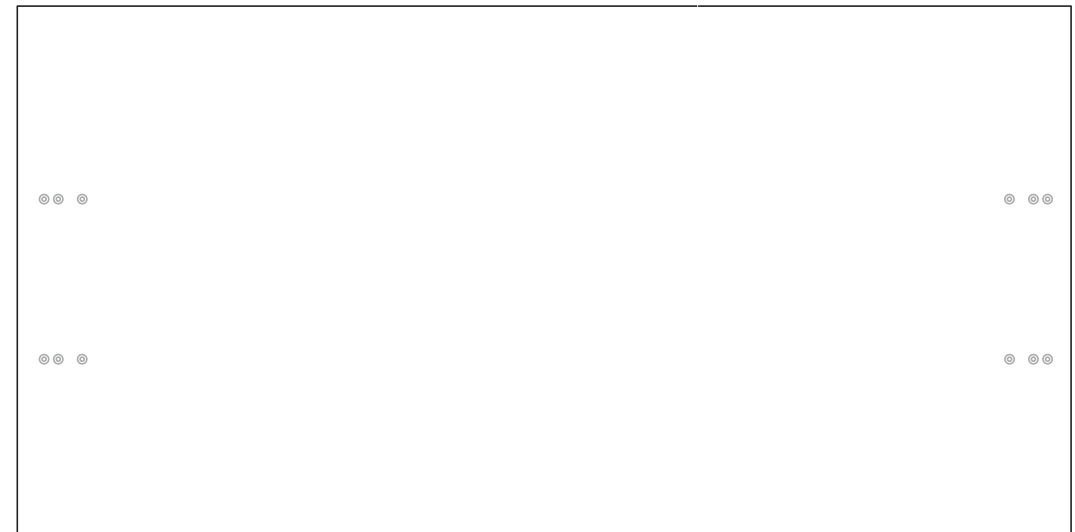


TABLE TOP  
BOTTOM VIEW



Place desktops on top of frame. Nut inserts in top will align with plastic joiner brackets using M6x30MM (I) sockets attach tops to frame.

# ASSEMBLY INSTRUCTIONS

## Horizon Quadro A 6P workstation

Sizes: 1200x700, 1400x700, 1600x700, 1800x700 mm

[www.jasonl.com.au](http://www.jasonl.com.au)

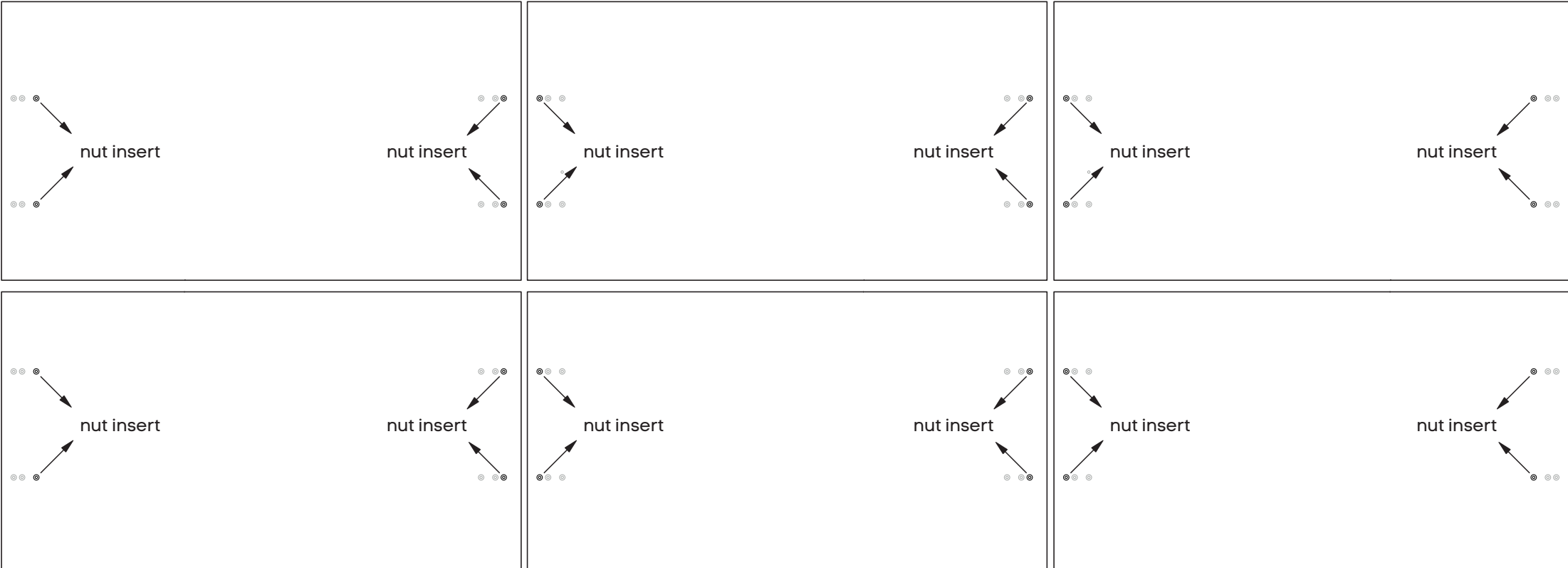
**Need help!**  
Call us on  
**1300 527 665**

**jason.l**  
your office furniture mate



### TABLE TOPS BOTTOM VIEW

The following nut inserts should be used for this specific desk / workstation



# ASSEMBLY INSTRUCTIONS

## Horizon Quadro A 6P workstation

[www.jasonl.com.au](http://www.jasonl.com.au)

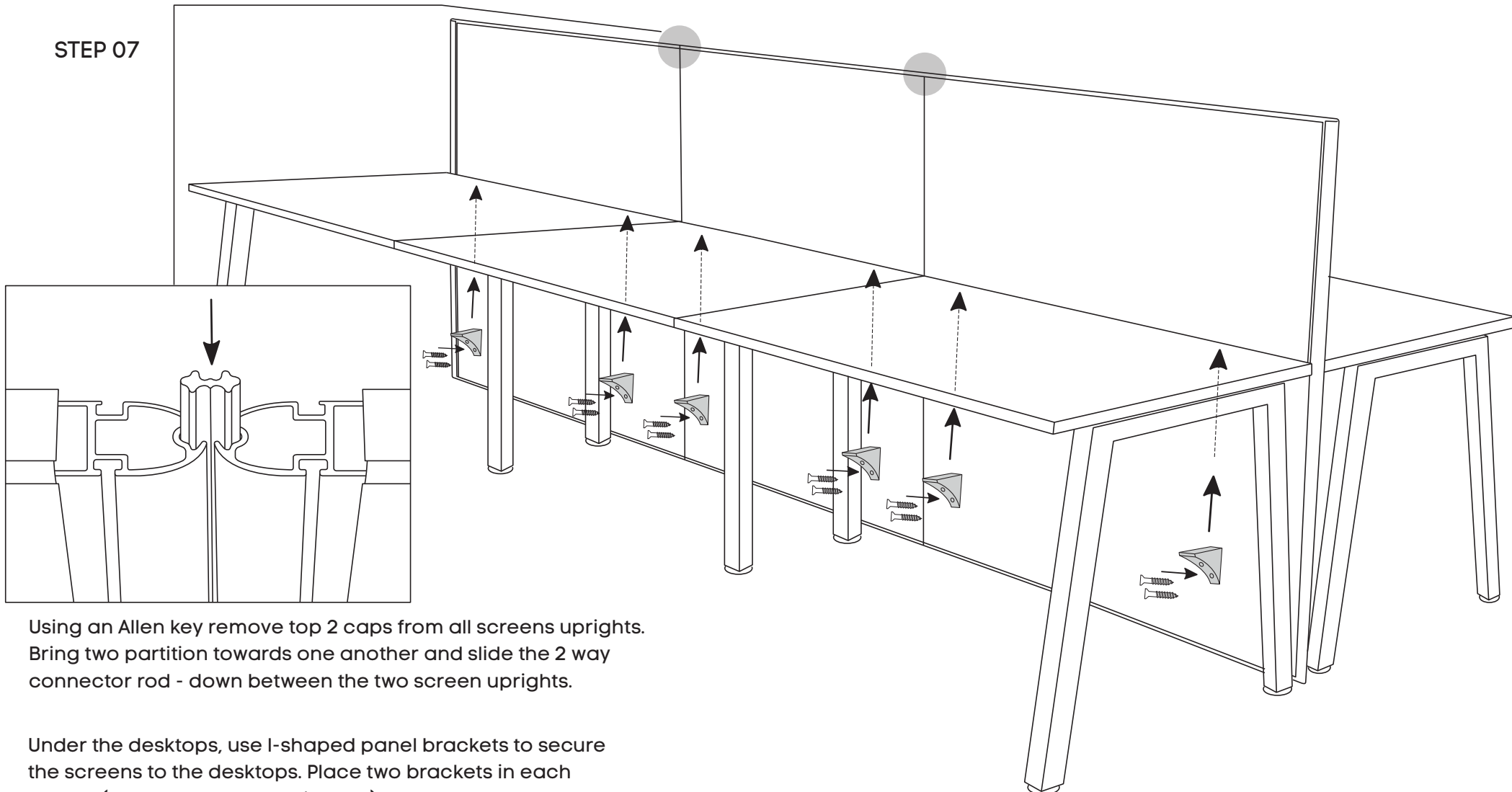
**Need help!**  
Call us on  
**1300 527 665**

**jason.l**  
your office furniture mate



Sizes: 1200x700, 1400x700, 1600x700, 1800x700 mm

STEP 07



Using an Allen key remove top 2 caps from all screens uprights. Bring two partition towards one another and slide the 2 way connector rod - down between the two screen uprights.

Under the desktops, use L-shaped panel brackets to secure the screens to the desktops. Place two brackets in each screen (4 L-Shaped bracket in total).