

ASSEMBLY INSTRUCTIONS

Horizon Quadro A 2P workstation

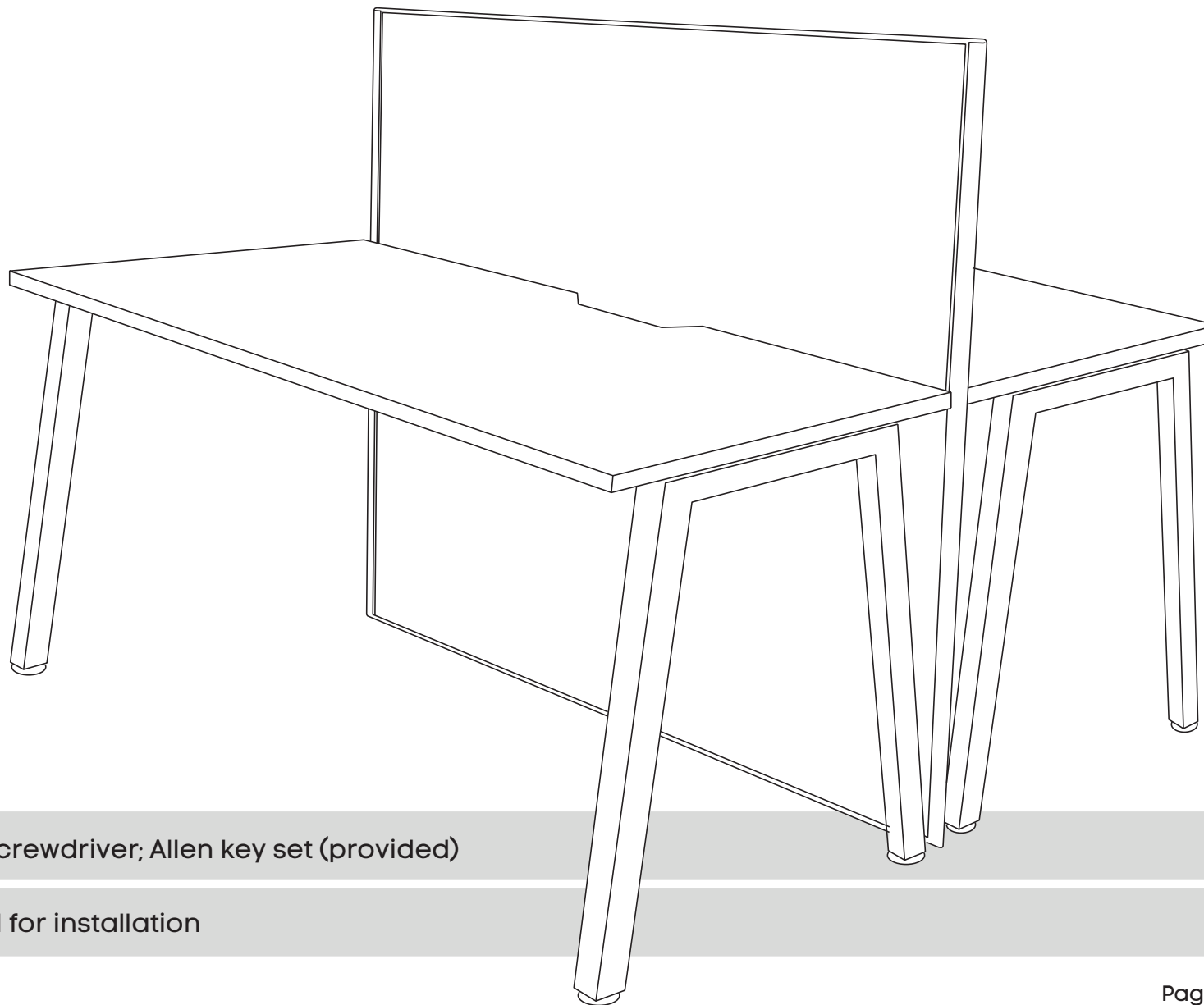
Sizes: 1200x800, 1400x800, 1600x800, 1800x800 mm

www.jasonl.com.au


Need help!

Call us on
1300 527 665

jason.l
your office furniture mate



Tools Required: Power screwdriver; Allen key set (provided)

 2 persons required for installation

ASSEMBLY INSTRUCTIONS

Horizon Quadro A 2P workstation

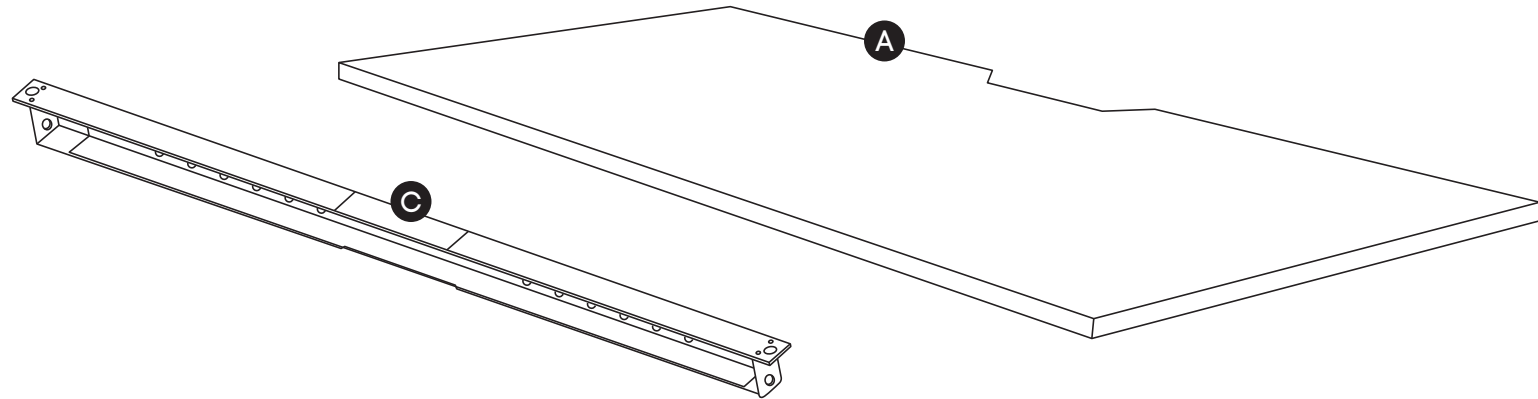
www.jasonl.com.au

Need help!
Call us on
1300 527 665

jason.l
your office furniture mate



Sizes: 1200x800, 1400x800, 1600x800, 1800x800 mm



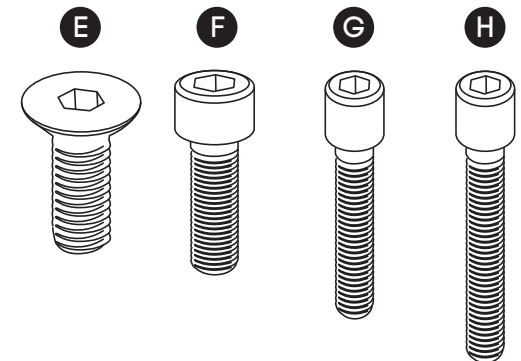
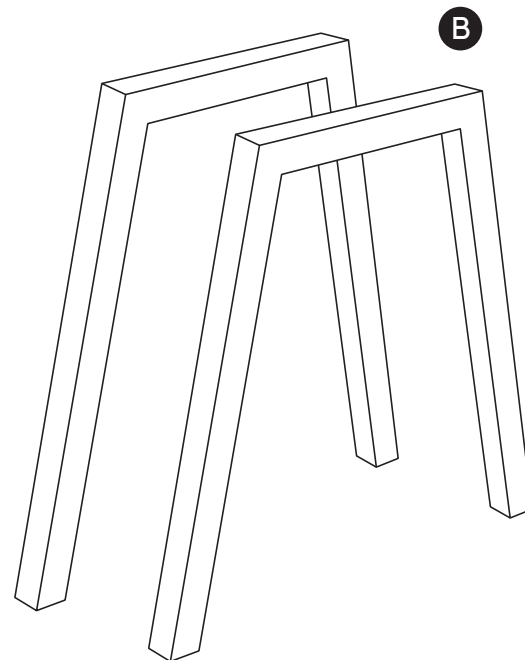
COMPONENTS

- A Table top x2
- B Leg Quadro A x4
- C Beam x2
- D Plastic bracket x8

SCREWS

- E M8x20MM CSK x4
- F M8x20MM Socket head x4
- G M6x20MM Socket head x8
- H M6x30MM Socket head x8

- I Allen key x2



ASSEMBLY INSTRUCTIONS

Horizon Quadro A 2P workstation

www.jasonl.com.au

Need help!
Call us on
1300 527 665

jason.l
your office furniture mate



Sizes: 1200x800, 1400x800, 1600x800, 1800x800 mm



Using Allen Key provided, attach 2 plastic brackets per leg **(D)** (as per picture above) using M6x20MM **(G)** Socket head screw.



Using Allen Key provided, attach M8x20MM Socket head **(F)**-screw socket half way into leg for all legs **(B)**.

ASSEMBLY INSTRUCTIONS

Horizon Quadro A 2P workstation

www.jasonl.com.au

Need help!
Call us on
1300 527 665

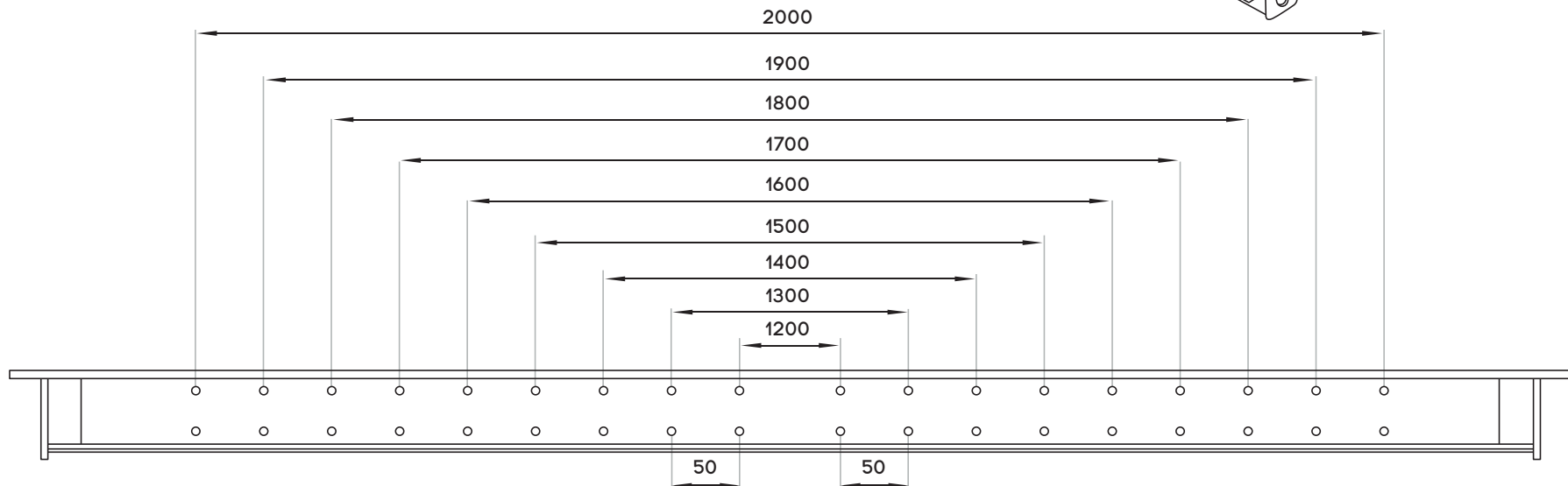
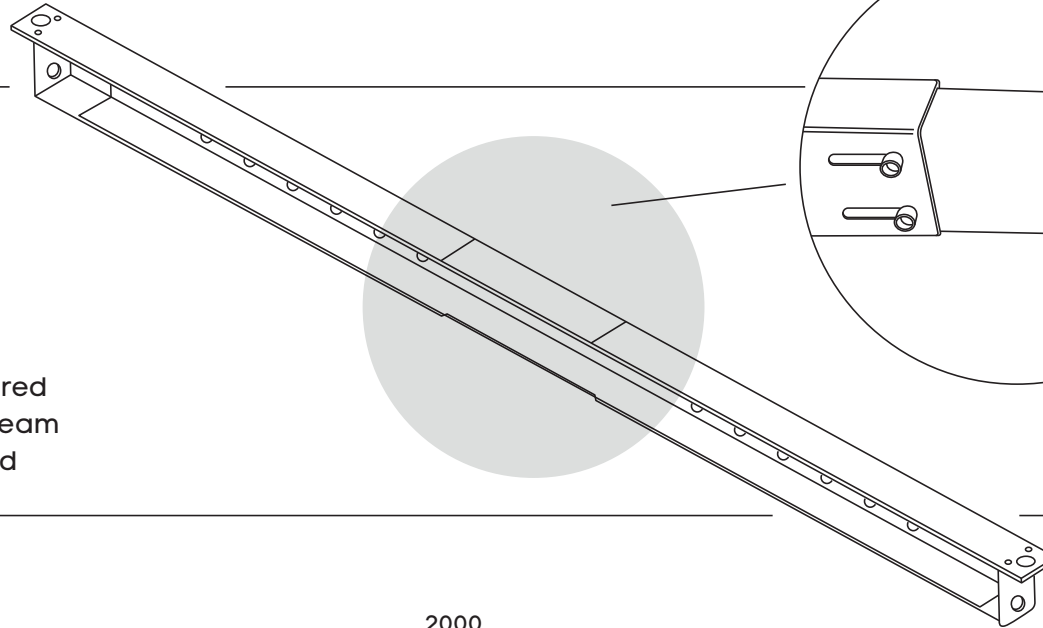
jason.l
your office furniture mate



Sizes: 1200x800, 1400x800, 1600x800, 1800x800 mm

STEP 03

Adjust extendable beam (C) to desired length using markers and secure beam at that length using screws provided



ASSEMBLY INSTRUCTIONS

Horizon Quadro A 2P workstation

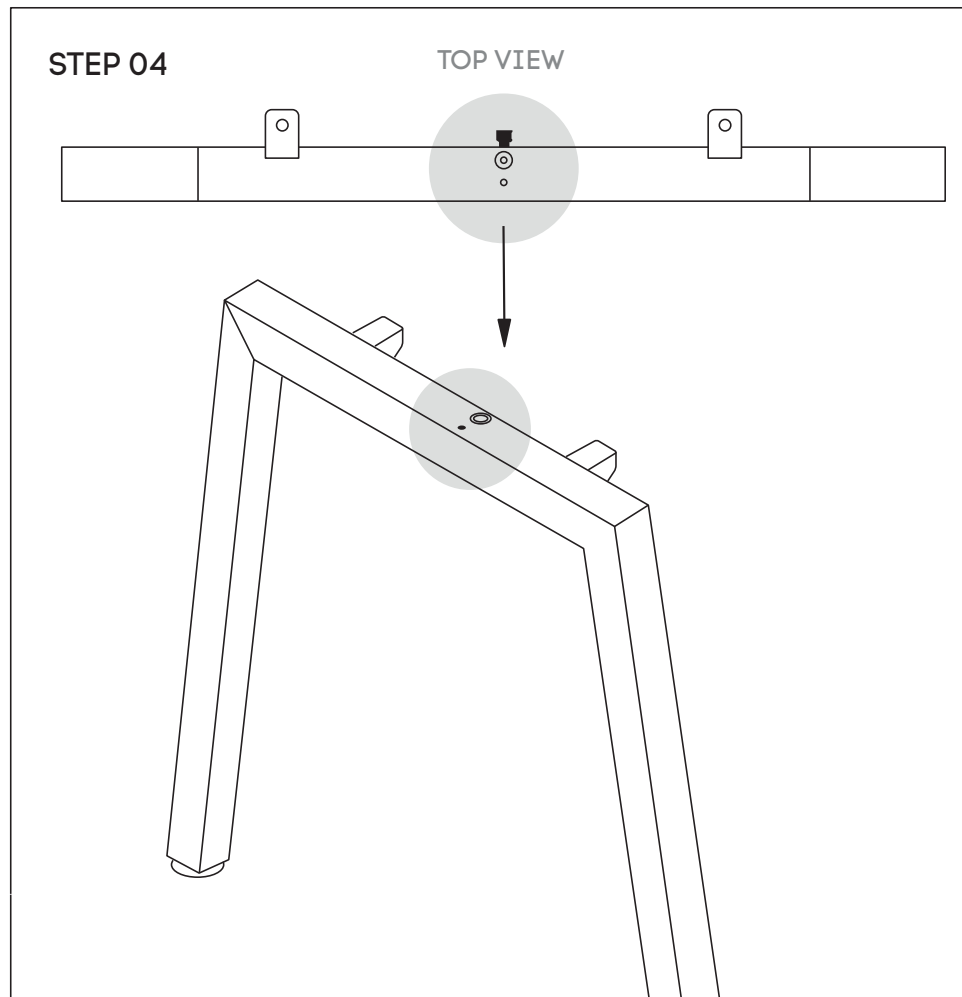
Sizes: 1200x800, 1400x800, 1600x800, 1800x800 mm

www.jasonl.com.au

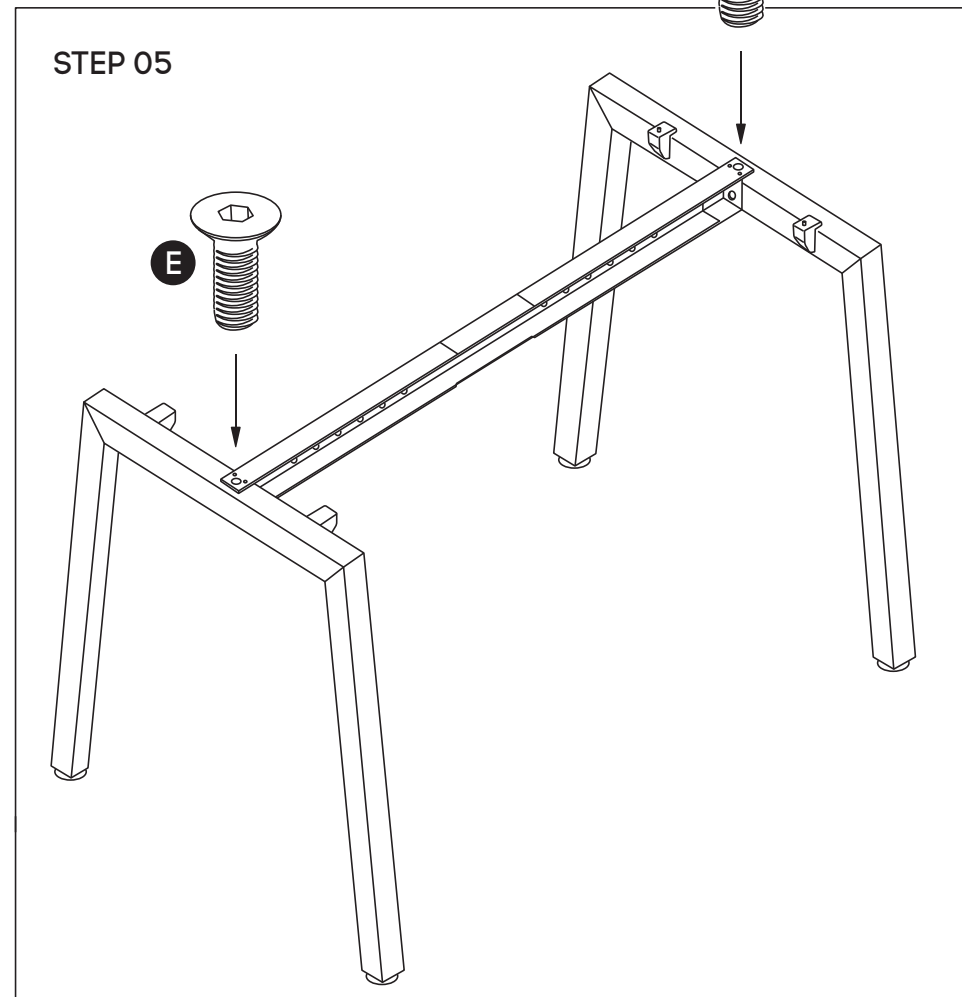
Need help!

Call us on
1300 527 665

jason.l
your office furniture mate



Attach beam **(C)** to legs **(B)** using nut insert in legs.
See point attached



Frame looks like this. Using Allen Key, attach beam **(C)** with Socket **(E)**

ASSEMBLY INSTRUCTIONS

Horizon Quadro A 2P workstation

Sizes: 1200x800, 1400x800, 1600x800, 1800x800 mm

www.jasonl.com.au

Need help!

Call us on
1300 527 665

jason.l
your office furniture mate

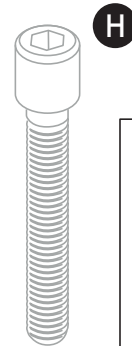
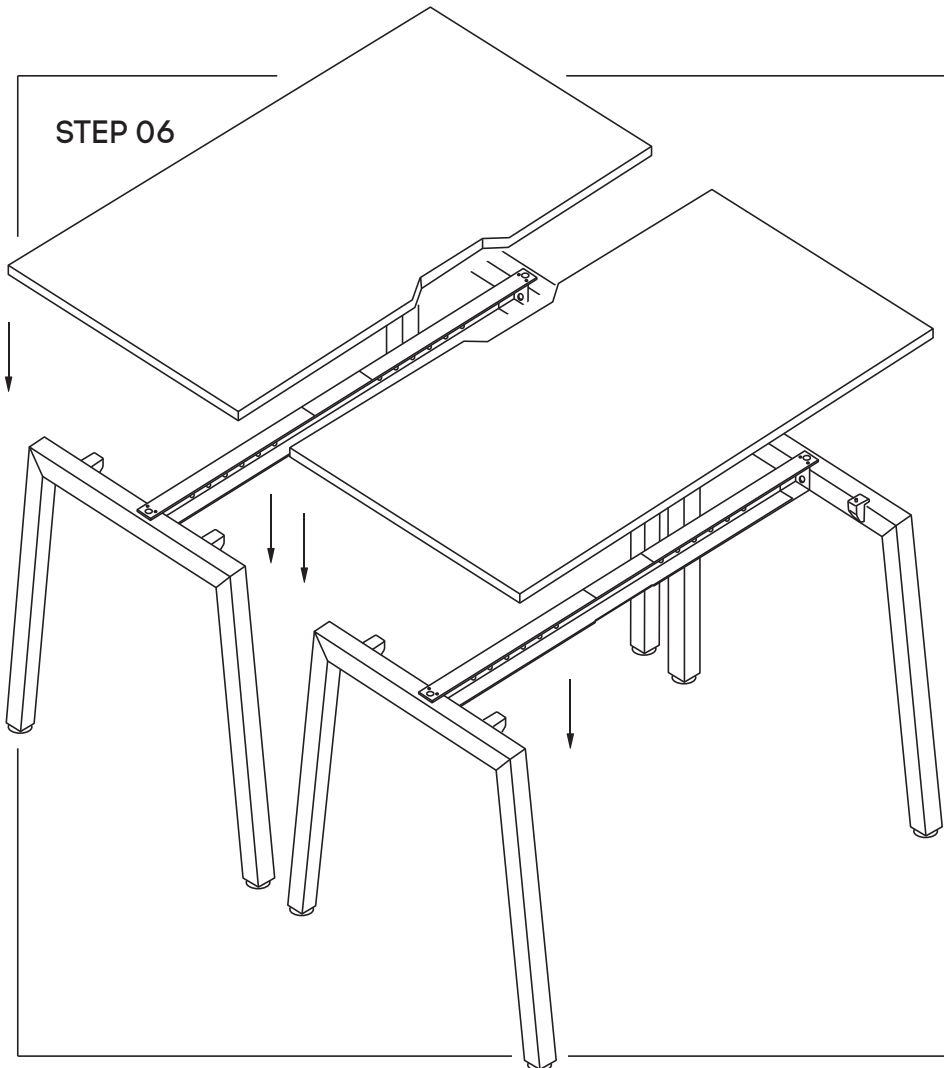
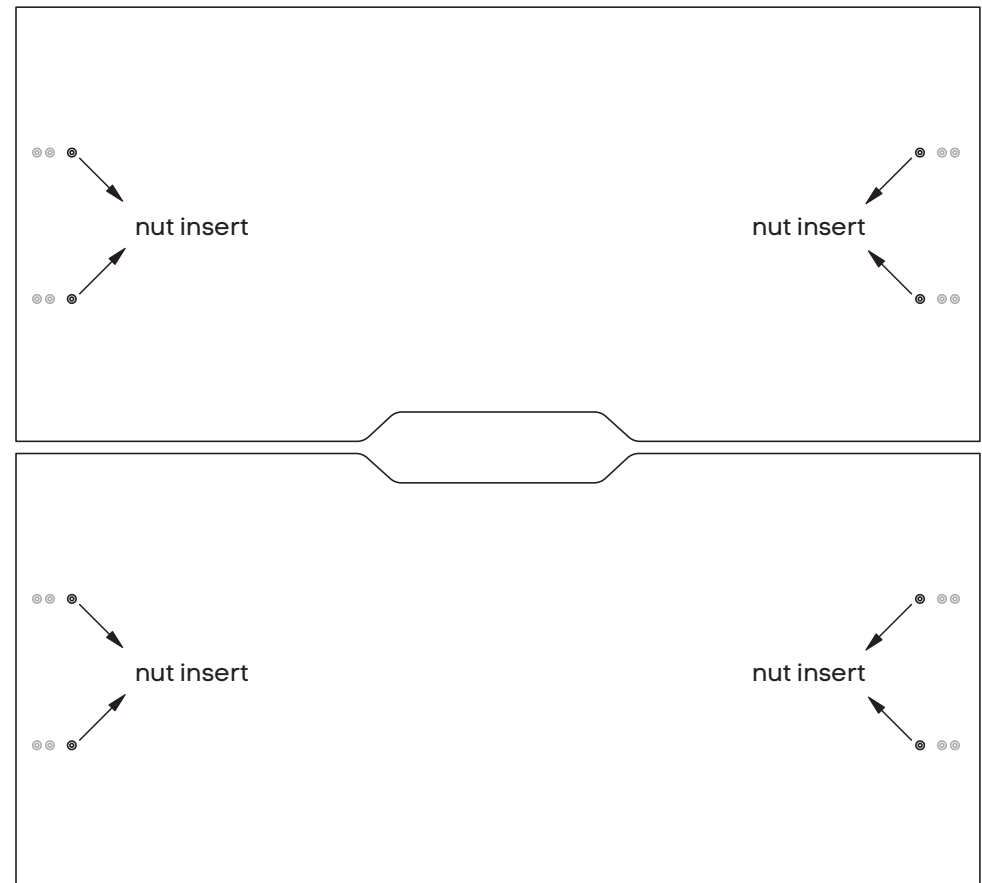


TABLE TOP
BOTTOM VIEW



Place desktops ontop of frame - with cutout at the back of the desk. Nut inserts in top will align with plastic joiner brackets using M6x30MM **(H)** sockets attached tops to frame.

ASSEMBLY INSTRUCTIONS

Horizon Quadro A 2P workstation

www.jasonl.com.au

Need help!

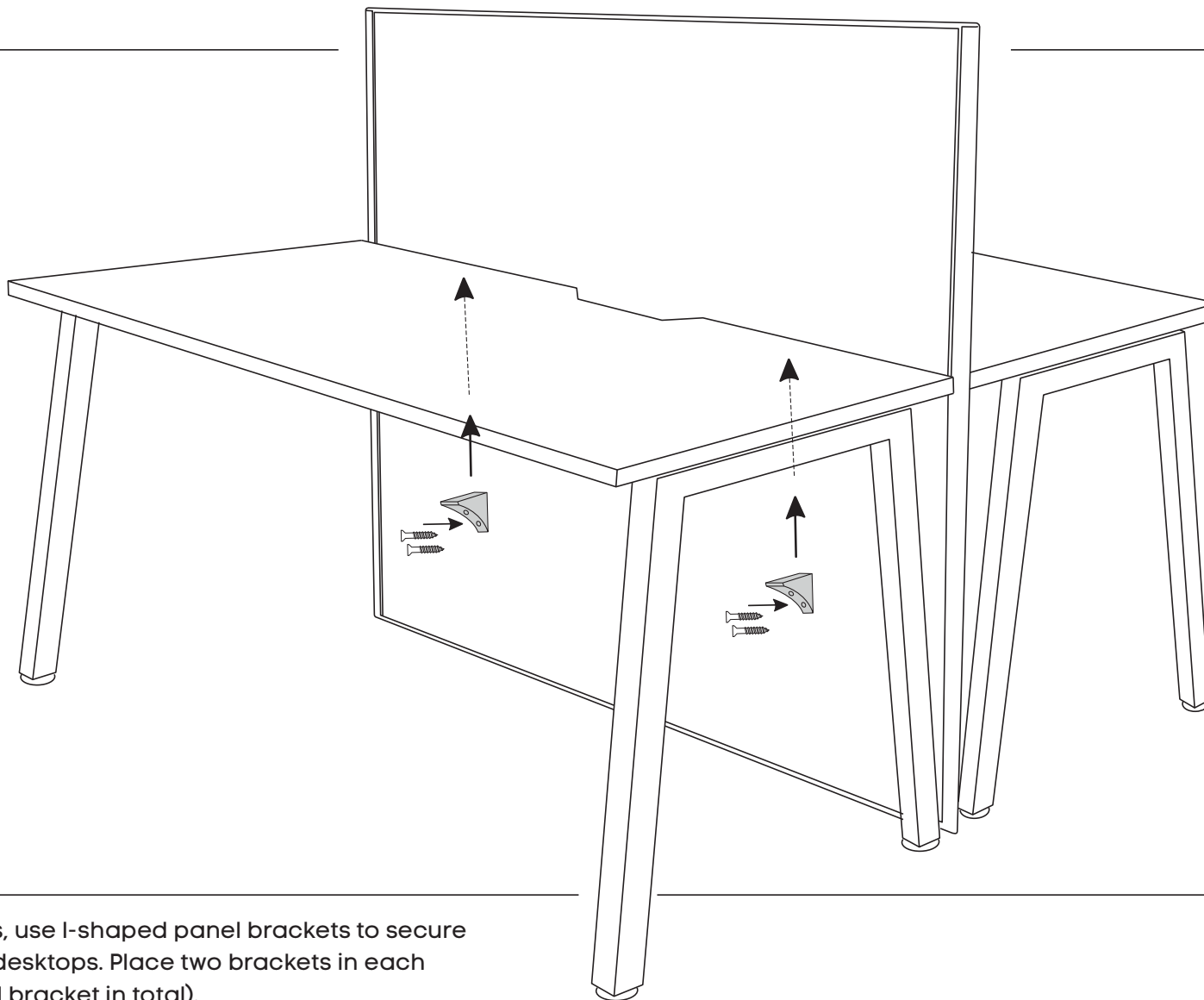
Call us on
1300 527 665

jason.l
your office furniture mate



Sizes: 1200x800, 1400x800, 1600x800, 1800x800 mm

STEP 07



Under the desktops, use L-shaped panel brackets to secure the screens to the desktops. Place two brackets in each screen (4 L-Shaped bracket in total).