

ASSEMBLY INSTRUCTIONS

Horizon Quadro A 2P workstation

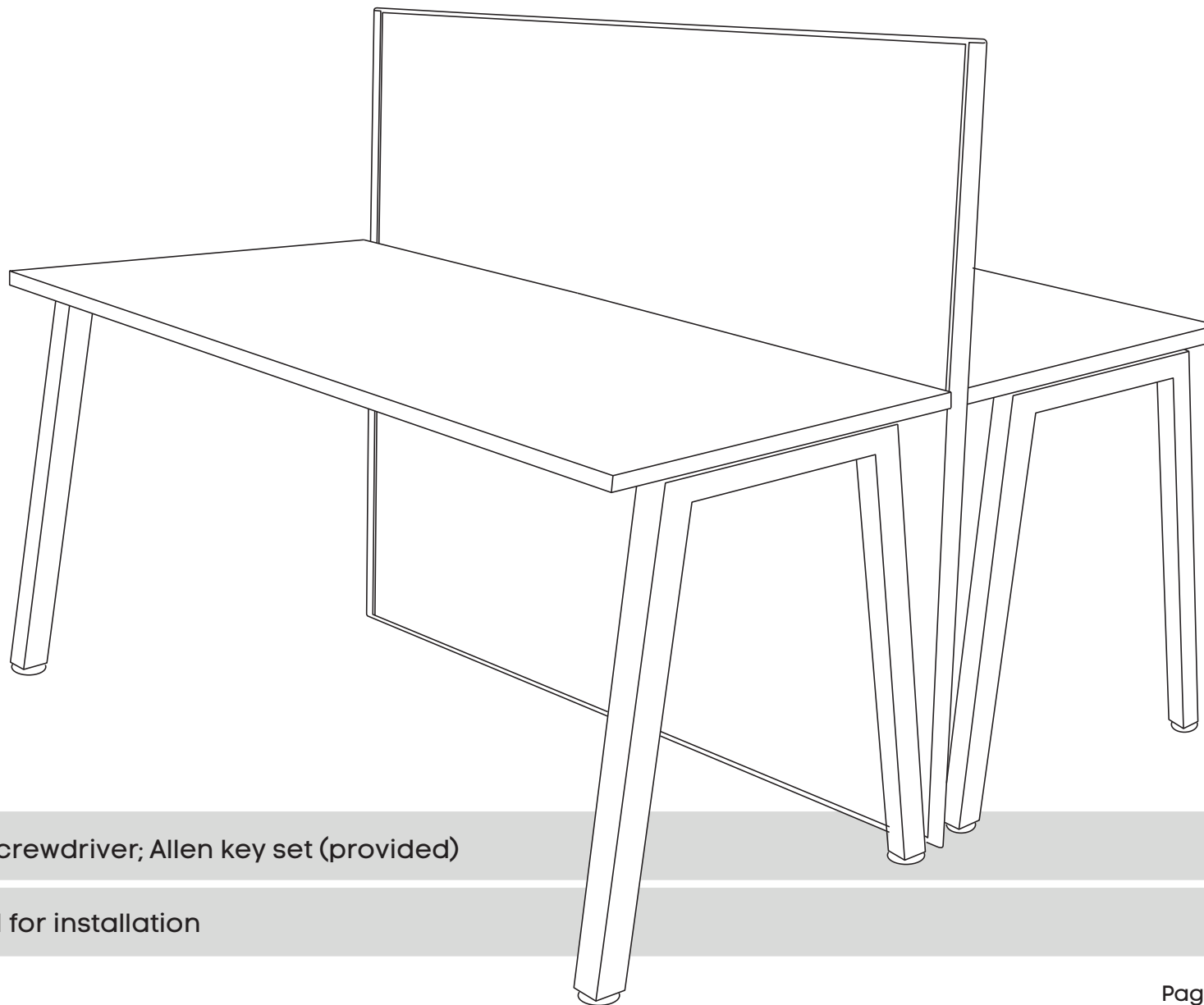
Sizes: 1200x700, 1400x700, 1600x700, 1800x700 mm

www.jasonl.com.au


Need help!

Call us on
1300 527 665

jason.l
your office furniture mate



Tools Required: Power screwdriver; Allen key set (provided)

 2 persons required for installation

ASSEMBLY INSTRUCTIONS

Horizon Quadro A 2P workstation

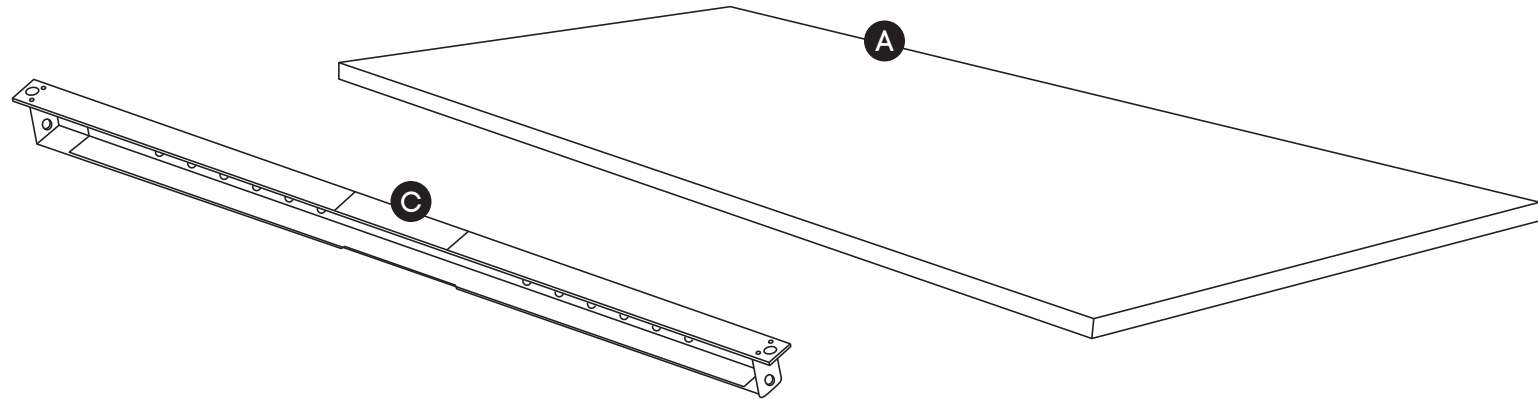
www.jasonl.com.au

Need help!
Call us on
1300 527 665

jason.l
your office furniture mate



Sizes: 1200x700, 1400x700, 1600x700, 1800x700 mm



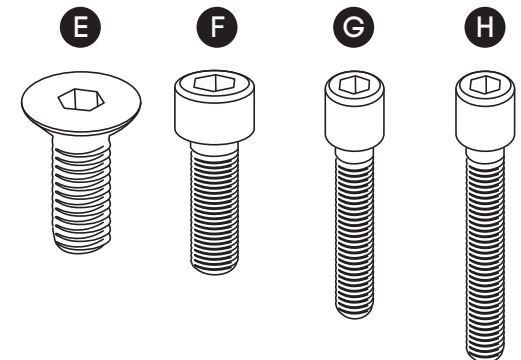
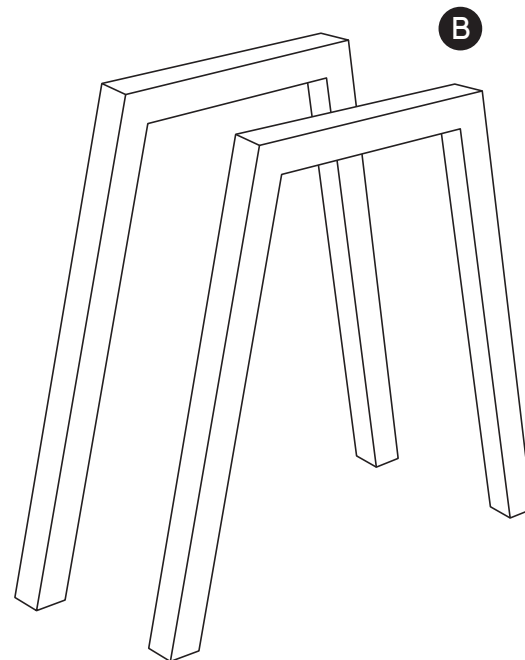
COMPONENTS

- A Table top x2
- B Leg Quadro A x4
- C Beam x2
- D Plastic bracket x8

SCREWS

- E M8x20MM CSK x4
- F M8x20MM Socket head x4
- G M6x20MM Socket head x8
- H M6x30MM Socket head x8

- I Allen key x2



ASSEMBLY INSTRUCTIONS

Horizon Quadro A 2P workstation

www.jasonl.com.au

Need help!
Call us on
1300 527 665

jason.l
your office furniture mate



Sizes: 1200x700, 1400x700, 1600x700, 1800x700 mm



Using Allen Key provided, attach 2 plastic brackets per leg **(D)** (as per picture above) using M6x20MM **(G)** Socket head screw.



Using Allen Key provided, attach M8x20MM Socket head **(F)**-screw socket half way into leg for all legs **(B)**.

ASSEMBLY INSTRUCTIONS

Horizon Quadro A 2P workstation

www.jasonl.com.au

Need help!
Call us on
1300 527 665

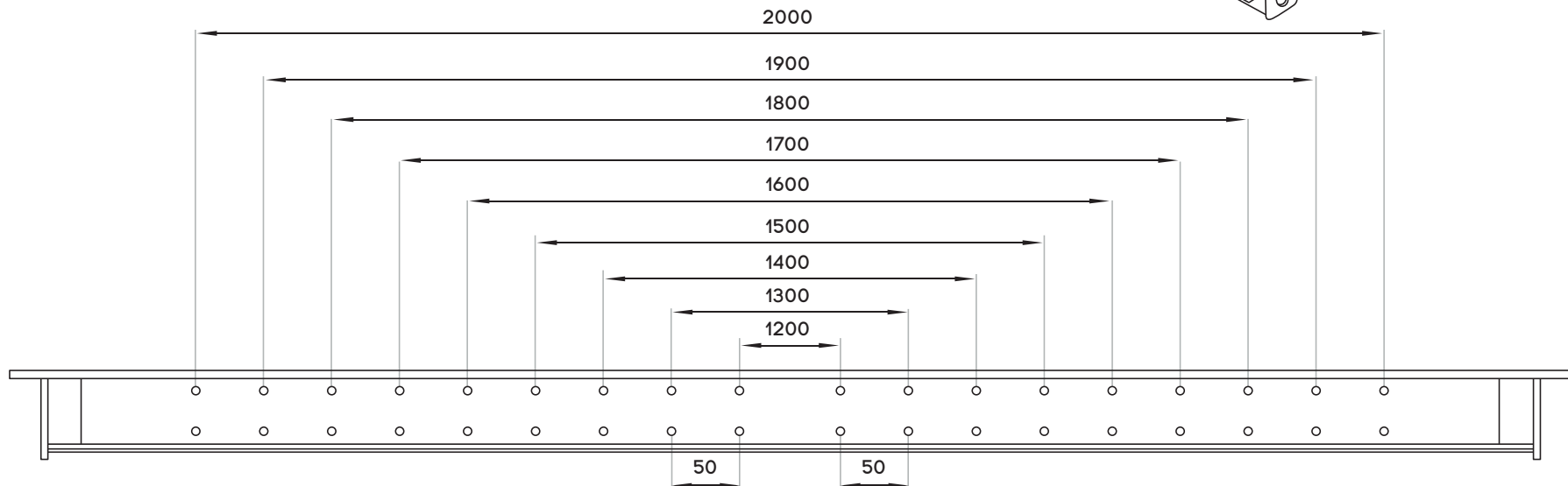
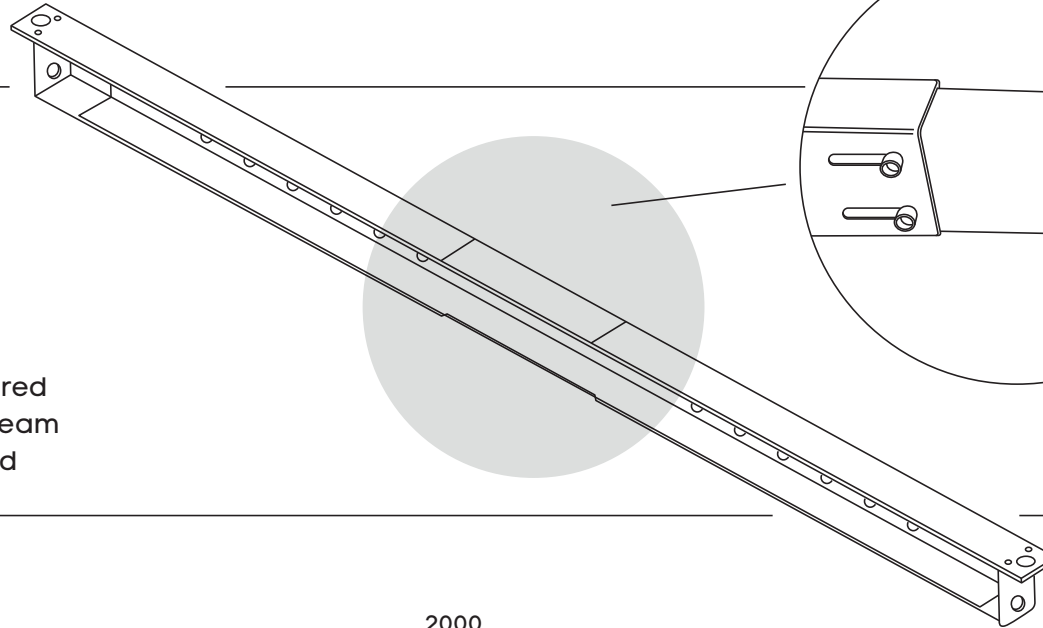
jason.l
your office furniture mate



Sizes: 1200x700, 1400x700, 1600x700, 1800x700 mm

STEP 03

Adjust extendable beam (C) to desired length using markers and secure beam at that length using screws provided



ASSEMBLY INSTRUCTIONS

Horizon Quadro A 2P workstation

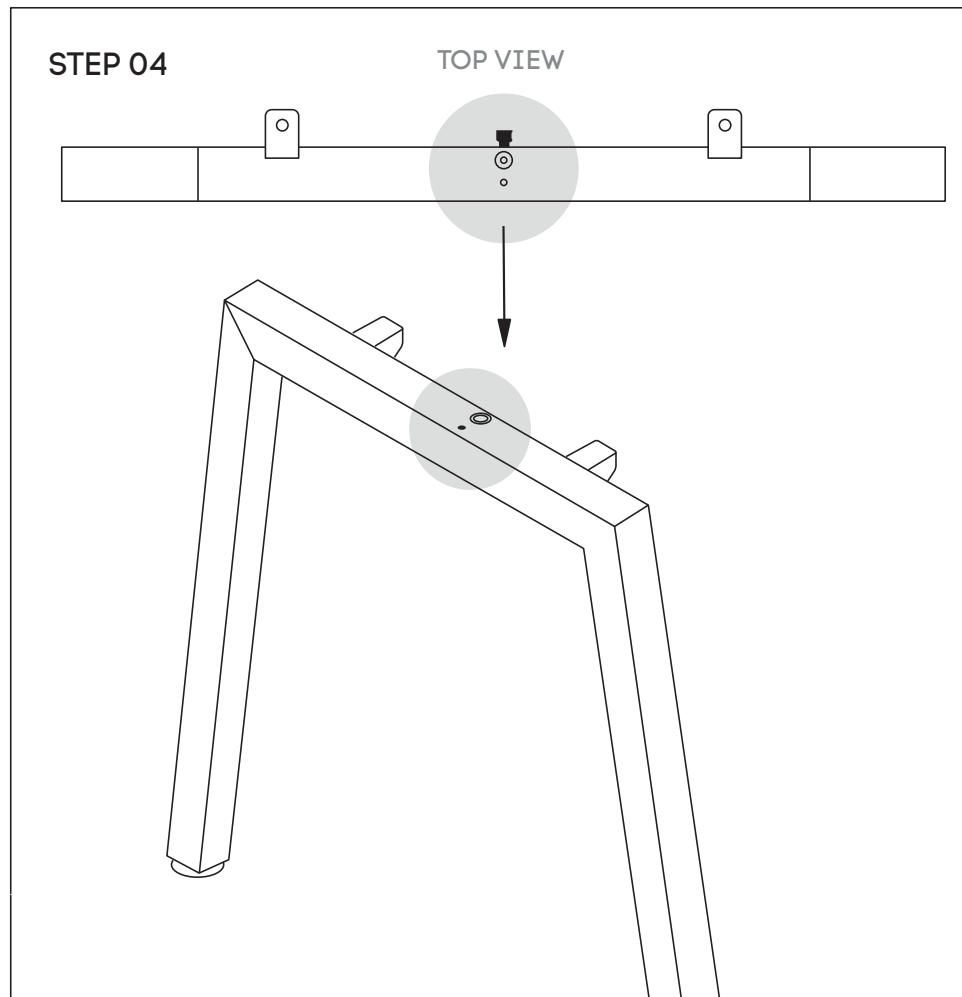
Sizes: 1200x700, 1400x700, 1600x700, 1800x700 mm

www.jasonl.com.au

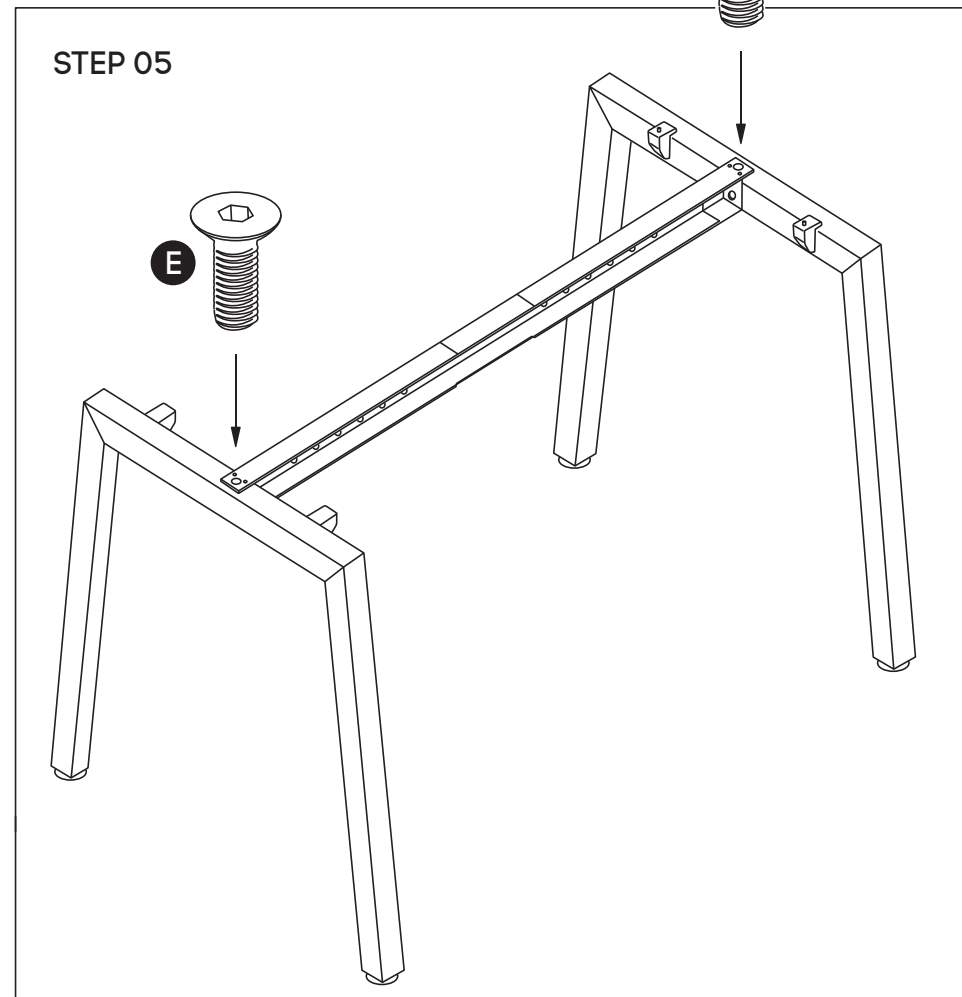
Need help!

Call us on
1300 527 665

jason.l
your office furniture mate



Attach beam **(C)** to legs **(B)** using nut insert in legs.
See point attached



Frame looks like this. Using Allen Key, attach beam **(C)** with Socket **(E)**

ASSEMBLY INSTRUCTIONS

Horizon Quadro A

2P workstation

Sizes: 1200x700, 1400x700, 1600x700, 1800x700 mm

www.jasonl.com.au

Need help!

Call us on
1300 527 665

jason.l
your office furniture mate

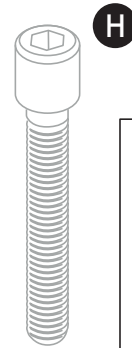
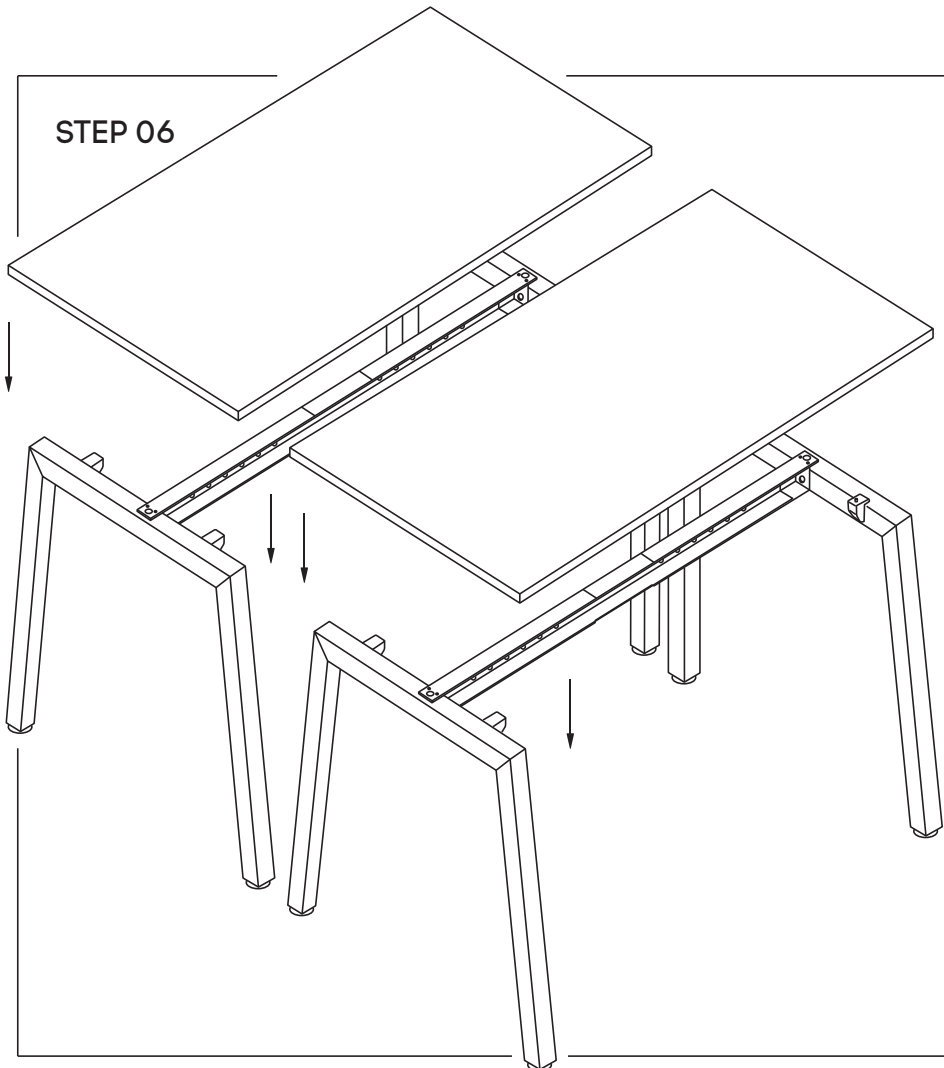


TABLE TOP
BOTTOM VIEW



Place desktops ontop of frame. Nut inserts in top will align with plastic joiner brackets using M6x30MM (H) sockets attach tops to frame.

ASSEMBLY INSTRUCTIONS

Horizon Quadro A 2P workstation

www.jasonl.com.au

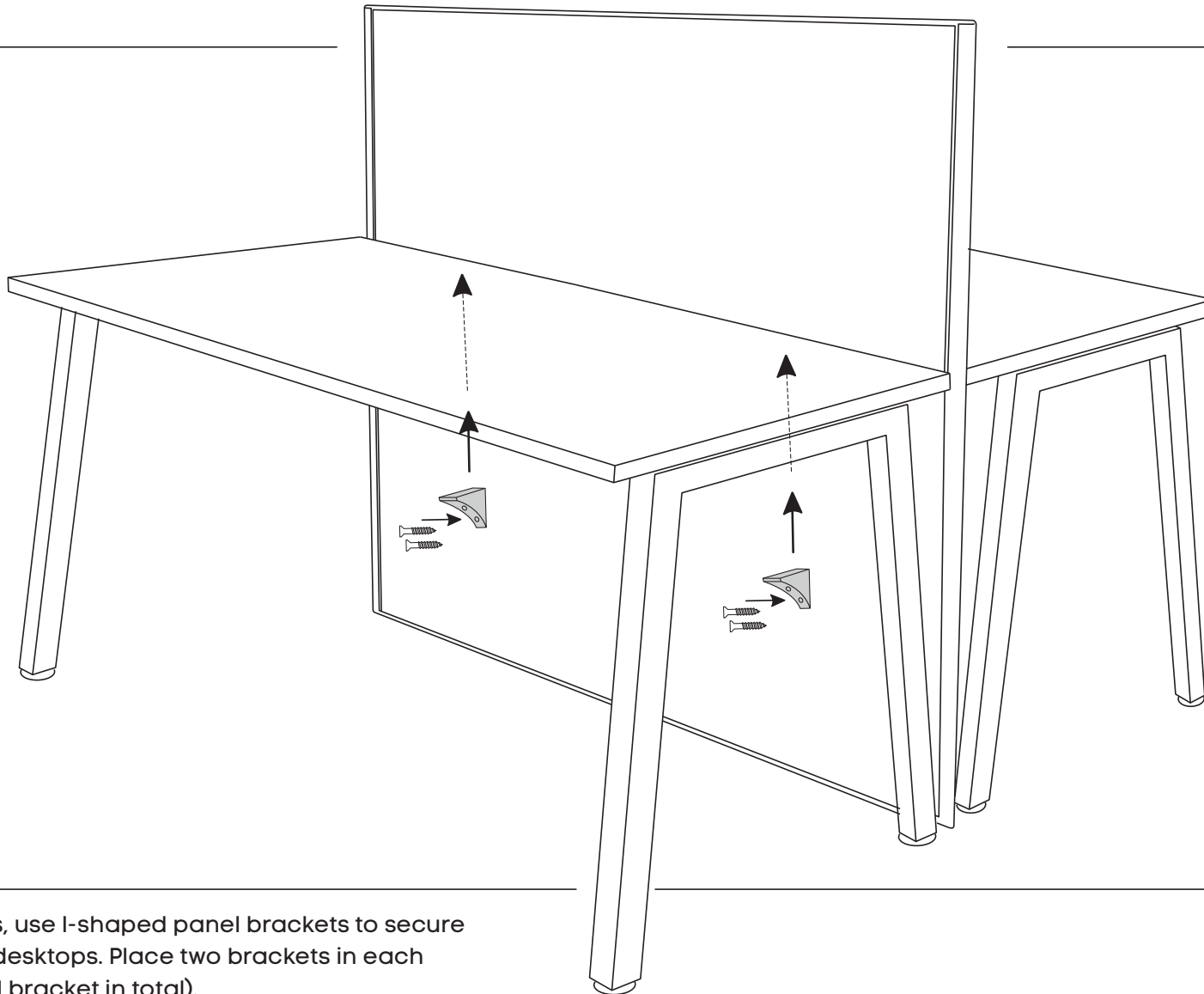
Need help!
Call us on
1300 527 665

jason.l
your office furniture mate



Sizes: 1200x700, 1400x700, 1600x700, 1800x700 mm

STEP 07



Under the desktops, use L-shaped panel brackets to secure the screens to the desktops. Place two brackets in each screen (4 L-Shaped bracket in total).