

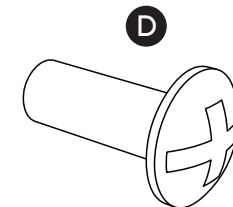
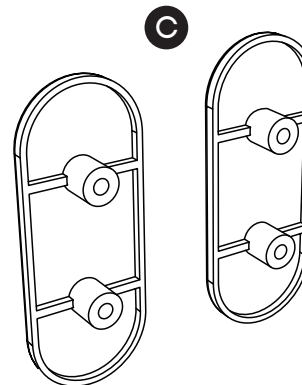
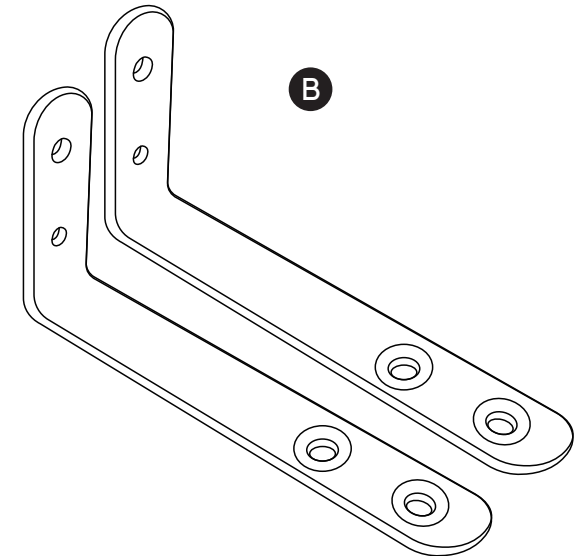
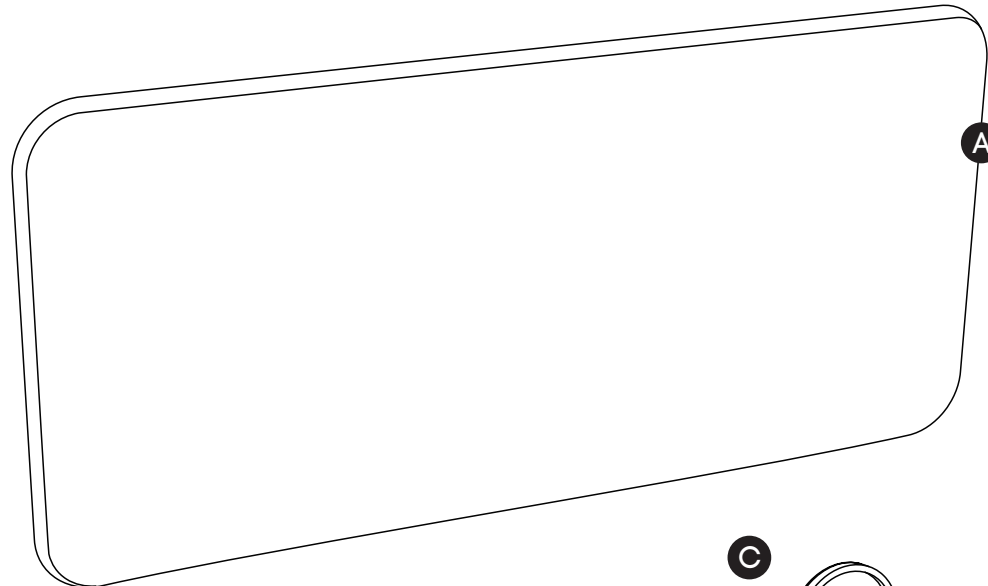
ASSEMBLY INSTRUCTIONS

Flyby Echo screen with L-brackets

www.jasonl.com.au

Need help!
Call us on
1300 527 665

jason.l
your office furniture mate



COMPONENTS

- A Echo Plate x 1
- B L Bracket x2
- C Clamps cover x2
- D Screws x4
- E Wood screws x 4

Experienced assembly is required. User will need to drill wood screws into underside of desk. No pre-drilled holes are provided for this system.



2 Persons required for installation *



Power Drill tool is required.

ASSEMBLY INSTRUCTIONS

Flyby Echo screen with L-brackets

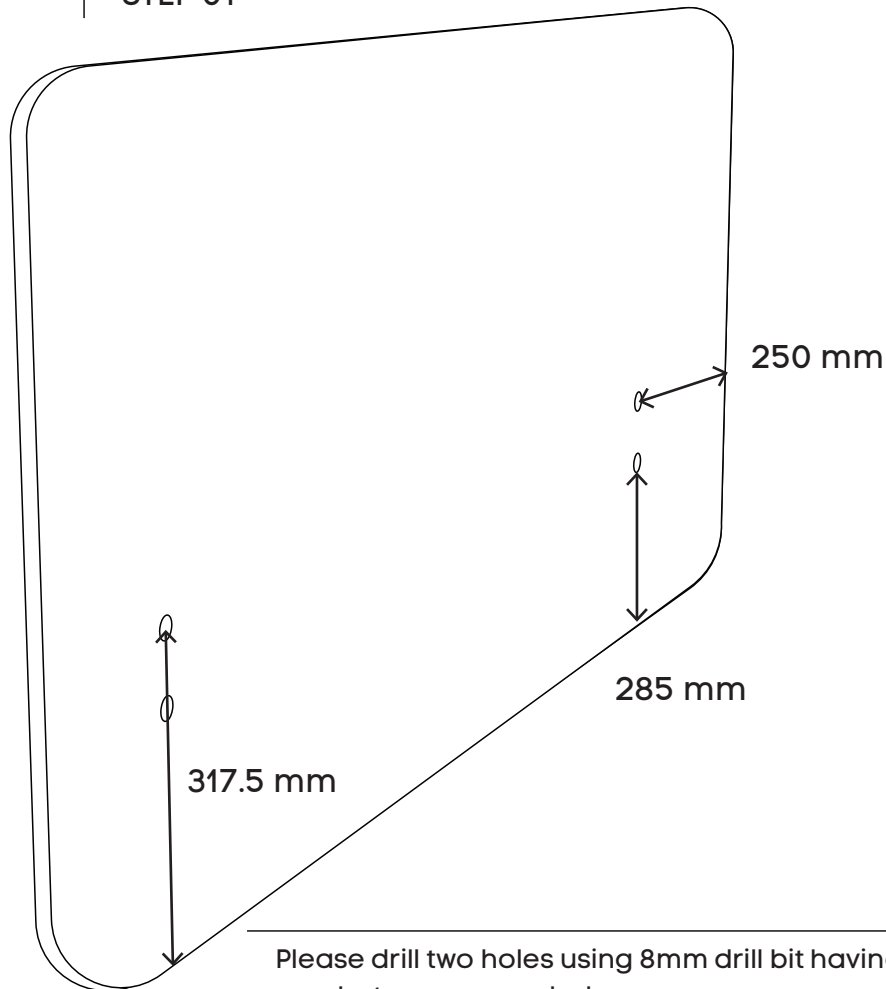
www.jasonl.com.au

Need help!
Call us on
1300 527 665

jason.l
your office furniture mate

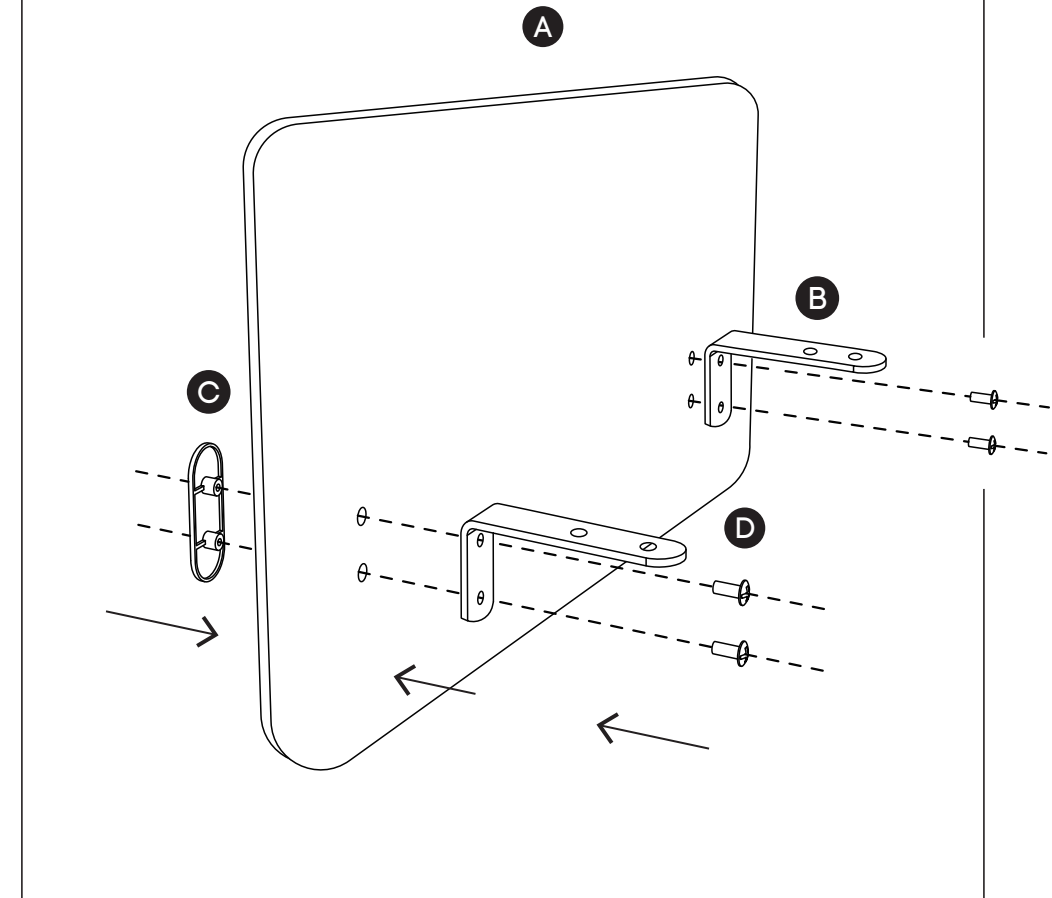


STEP 01



Please drill two holes using 8mm drill bit having a 32.5 mm gap between screw holes.

STEP 02



Assemble **A** plate with **B** bracket and tighten using 4 x screws provided (**D**) and apply the bracket cover **C**

ASSEMBLY INSTRUCTIONS

Flyby Echo screen with L-brackets

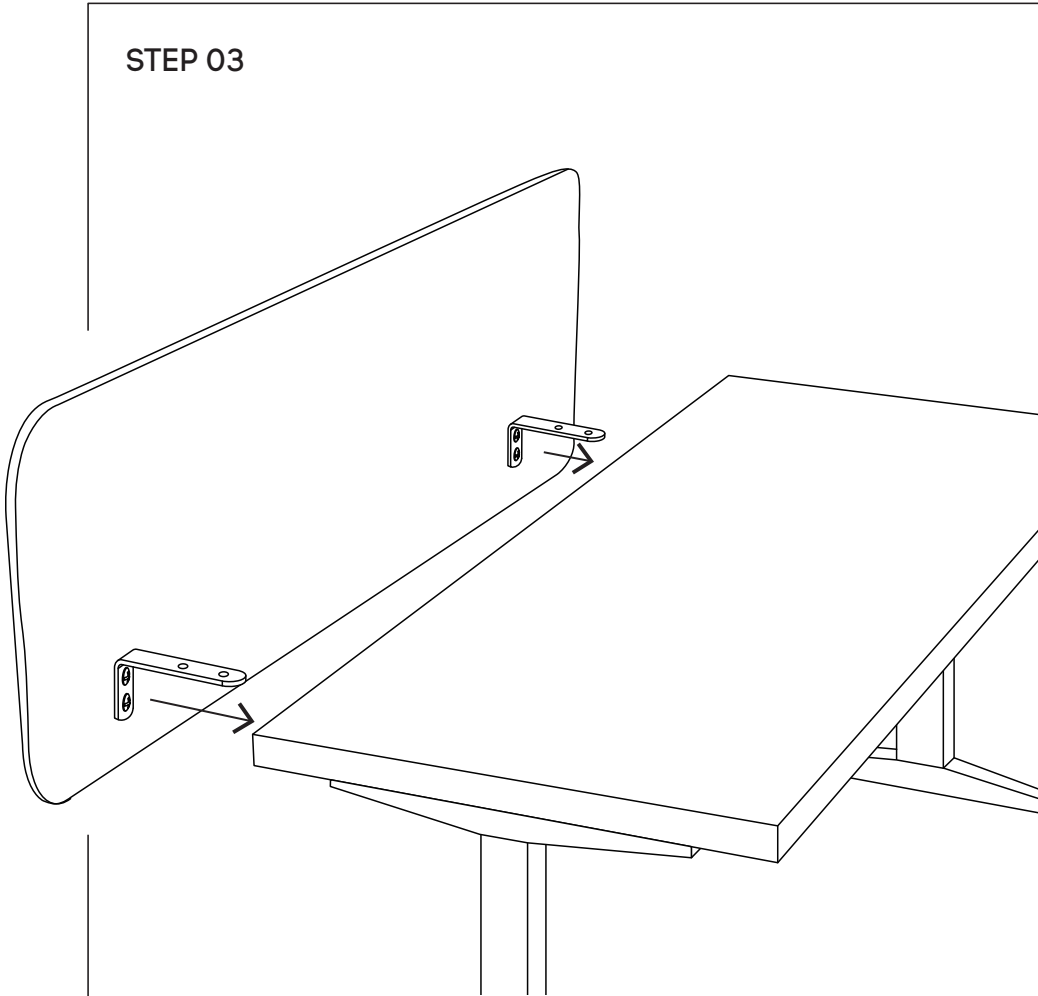
www.jasonl.com.au

Need help!
Call us on
1300 527 665

jason.l
your office furniture mate

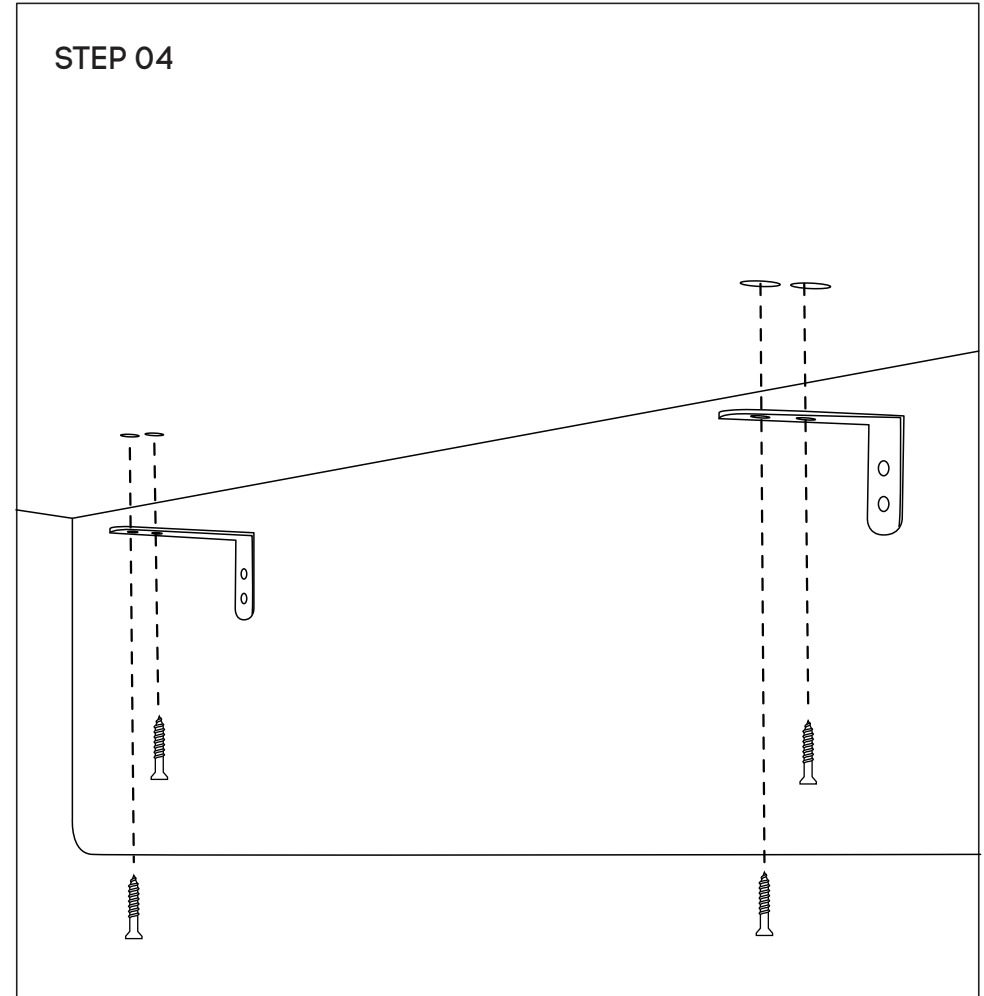


STEP 03



Please assemble Echo panel with desktop using L brackets.

STEP 04



Please drill 4 x wood screws (E) into the underneath desk and tighten the L brackets on the desk.

ASSEMBLY INSTRUCTIONS
Flyby Echo screen
with L-brackets

www.jasonl.com.au

Need help!
Call us on
1300 527 665

jason.l
your office furniture mate

