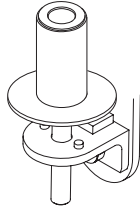


# Flexmount 7000 & 7048 monitor arm



**Need help?**  
Call us on  
1300 527 665

**jason.l**  
your office furniture mate

**Uplifting**  
ergonomic furniture solutions

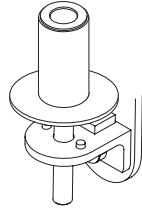
NOTE: Flex mounts for series 7000 and 7045 are preassembled for the desk clamp configuration with mount column, base plate, large "L" bracket, 3/8-16 x 1" Flat socket cap screw with nylon stop nut and rubber pad.

Rubber pad and then Large "L" bracket will need to be removed from base plate when assembling for through desk, wall and reverse mount options.

## Installation Instructions

<h3>Desk clamp</h3> <p>1 2 3</p>	<h3>Through desk</h3> <p>1 2</p>
<h3>Wall mount</h3> <p>1 *Hardware not included. 2</p>	<h3>Reverse wall mount</h3> <p>1 *Hardware not included. 2</p>
<h3>Grommet hole</h3> <p>1 2 &gt; 63mm 3</p>	<h3>Side bolt</h3> <p>1 2 *Hardware not included.</p>

# Flexmount 7000 & 7048 monitor arm



**Need help?**  
Call us on  
1300 527 665


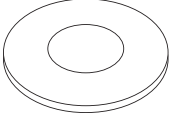
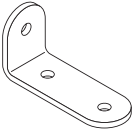
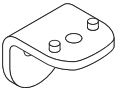
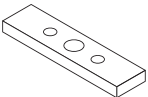
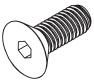
**jason.l**  
your office furniture mate

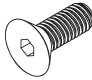
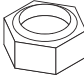


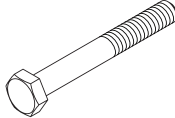
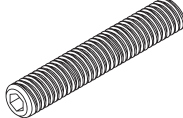

**Uplifting**  
ergonomic furniture solutions

NOTE: Flex mounts for series 7000 and 7045 are preassembled for the desk clamp configuration with mount column, base plate, large "L" bracket, 3/8-16 x 1" flat socket cap screw with nylon stop nut and rubber pad.

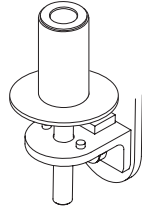
Rubber pad and then Large "L" bracket will need to be removed from base plate when assembling for through desk, wall and reverse mount options.

## Parts List

ITEM	DESCRIPTION / PART NO.	QUANTITY
A	 Mount column <i>Models 7000 &amp; 7045</i>	1
B	 Base plate <i>Models 7000 &amp; 7045</i>	1
C	 Large "L" bracket <i>Models 7000 &amp; 7045</i>	1
D	 Small "L" bracket	1
E	 Rectangular spacer	1
F	 3/8-16x1" flat socket cap screw <i>Models 7000 &amp; 7045</i>	1

ITEM	DESCRIPTION / PART NO.	QUANTITY
G	 3/8-16 x 7/8" flat socket cap screw	1
H	 3/8-16 nylon stop nut	1
I	 3/8-16 x 7/8" button socket cap screw	1
	 3/8-16 x 1 1/4" button socket cap screw	1
J	 3/8-16 x 2-1/2" hex head bolt	1
K	 1/2-13 x 3" socket set screw	1
L	 Rubber pad (adhesive) <i>Included with Models 7000 &amp; 7045 only</i>	1

# Flexmount 7000 & 7048 monitor arm



**Need help?**  
Call us on  
1300 527 665

## Flexmount dimensions

