

ASSEMBLY INSTRUCTIONS

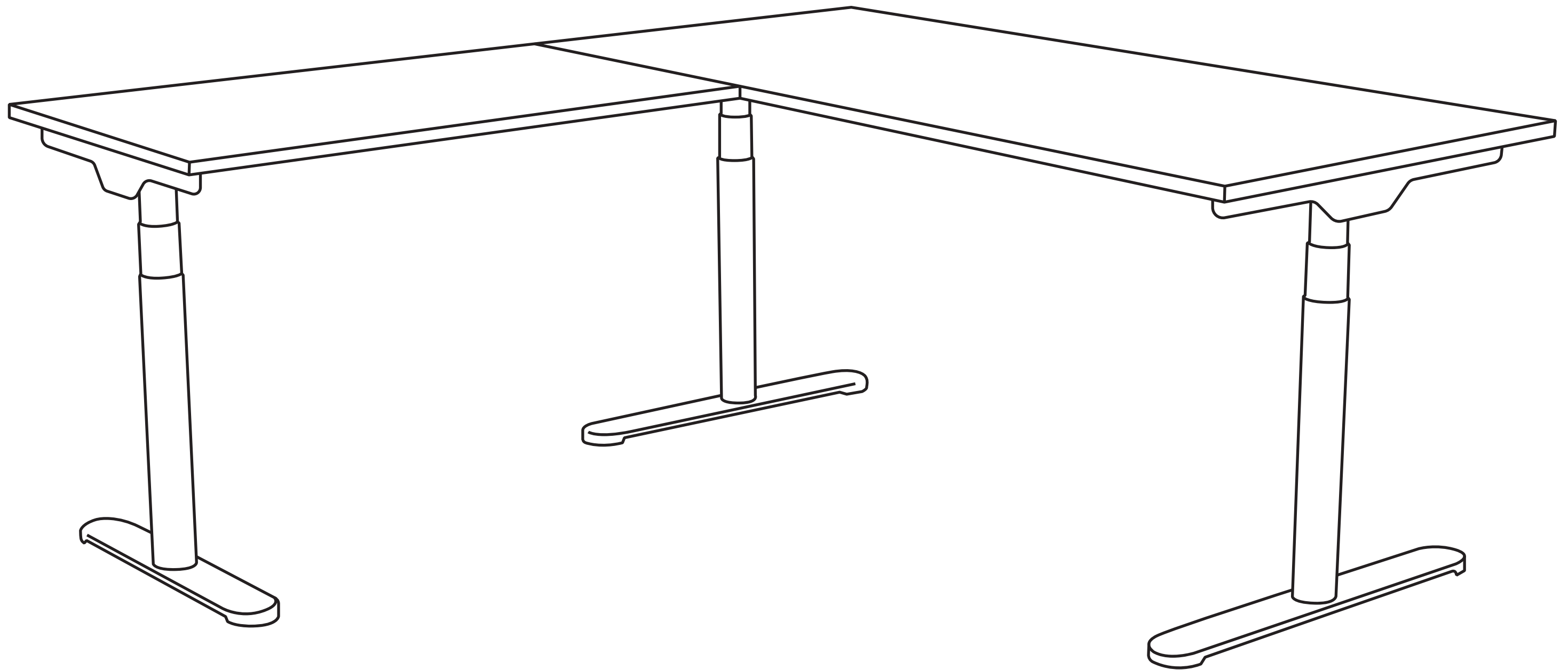
Flexi premium Corner desk

www.jasonl.com.au


Need help!

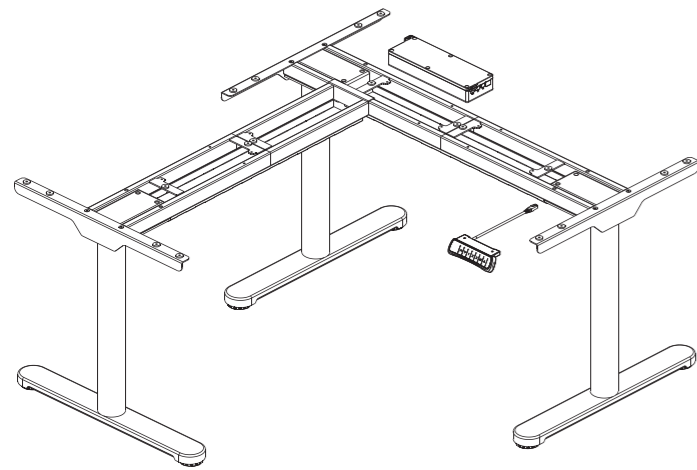
Call us on
1300 527 665

jason.l
your office furniture mate



Tools Required: Power screwdriver

 2 persons required for installation



Accessory list

Attention: The drawings below are only for guidance and they may differ slightly from the product and fittings received. Please contact our customer service department if you have any queries.

No.	Image	Spec	Qty
A		M6	6
B		M6	8
C		M6	12
D		M6	16
E		St4.2	24
F		Allen Key 4x4mm	1

Technical data

Column Stage	3	
Max. Weight Capacity	150KG	
Height Range	600-1250mm	
Width Range	1100-1900mm	1260-1860mm

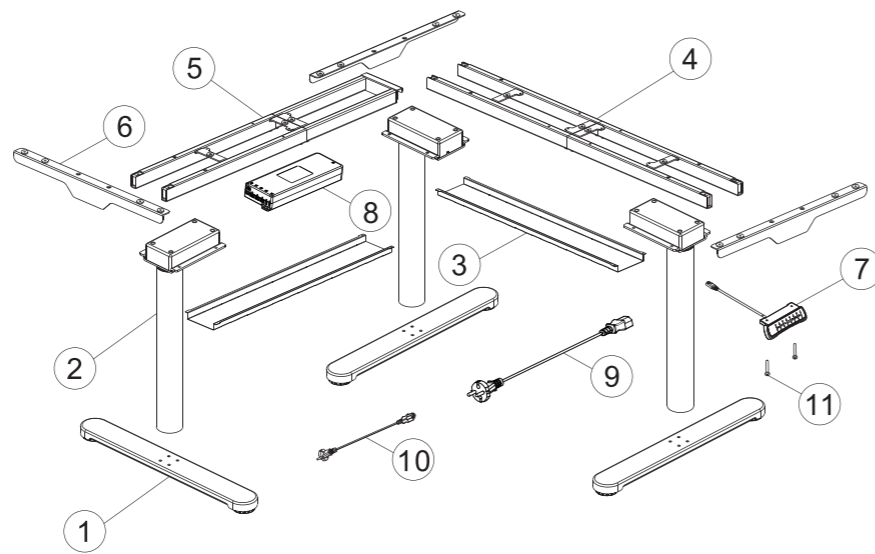
Waste disposal



This marking indicates that this product should not be disposed with other household wastes. To prevent possible harm to the environment or human health from uncontrolled waste disposal, recycle it responsibly to promote the sustainable reuse of material resources. To return your used device, please use the return and collection systems or contact the retailer where the product was purchased. They can take this product for environmental safe recycling.

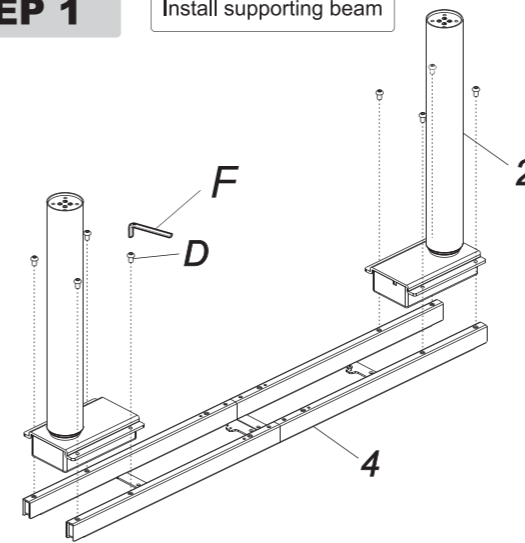
Component list

①	Feet	3	②	Lifting Columns	3
No.	Part	Qty	No.	Part	Qty
③	Cable Management Trays	2	④	Supporting Beam	1
No.	Part	Qty	No.	Part	Qty
⑤	Auxiliary Girder	1	⑥	Side Brackets	3
No.	Part	Qty	No.	Part	Qty
⑦	Handset	1	⑧	Control Box	1
No.	Part	Qty	No.	Part	Qty
⑨	Power Cord	1	⑩	Switch Cord	1
No.	Part	Qty	No.	Part	Qty
⑪	Handset Screws	2			



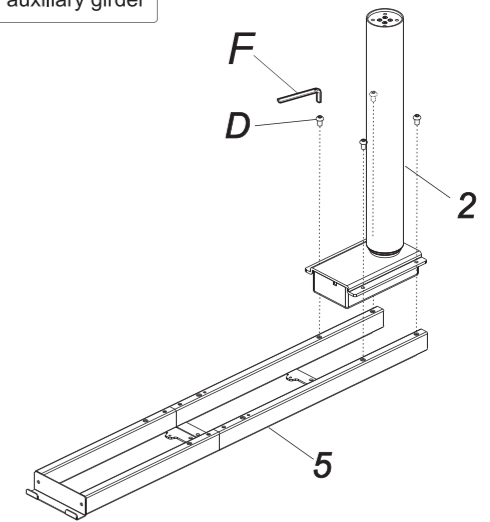
STEP 1

Install supporting beam



Connect lifting columns (2) to the supporting beam (4) and use allen key (F) to tighten the screws (D).

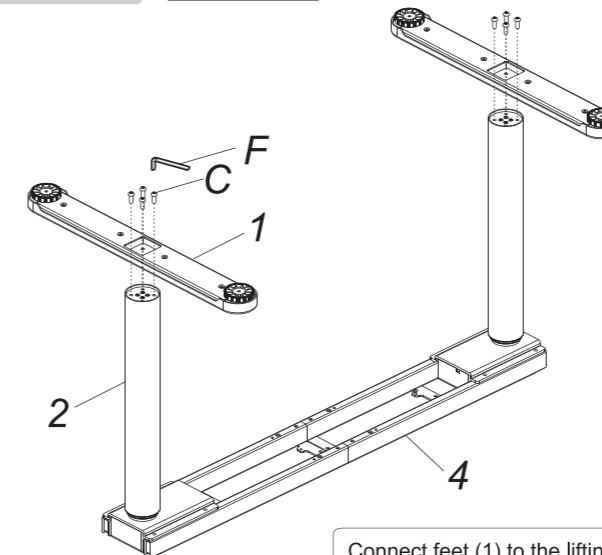
Install auxiliary girder



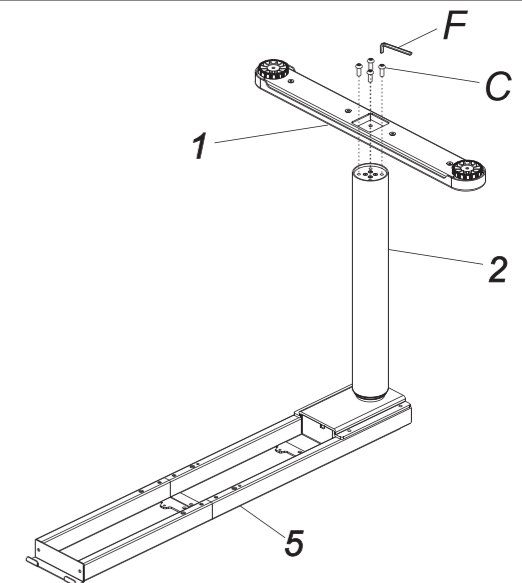
Connect lifting columns (2) to the auxiliary girder (5) and use allen key (F) to tighten the screws (D).

STEP 2

Install the feet

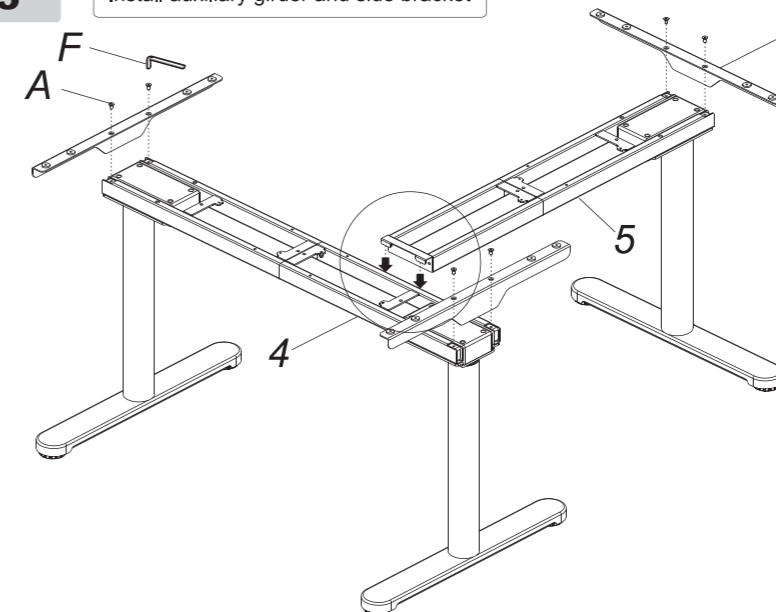


Connect feet (1) to the lifting columns (2) and use allen key (F) to tighten screws (C).



STEP 3

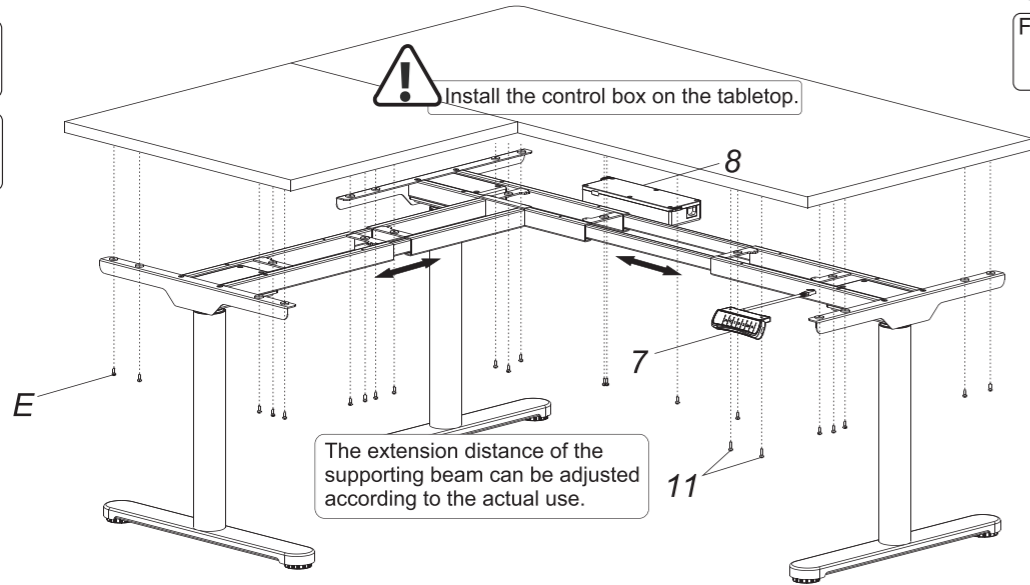
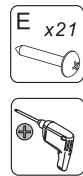
Install auxiliary girder and side bracket



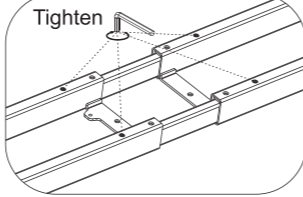
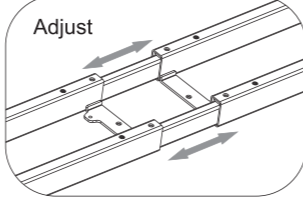
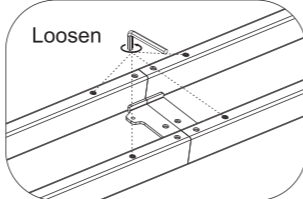
Buckle the auxiliary girder (5) on the supporting beam (4) according to the option of tabletop.

STEP 4-A

Install tabletop, handset and control box

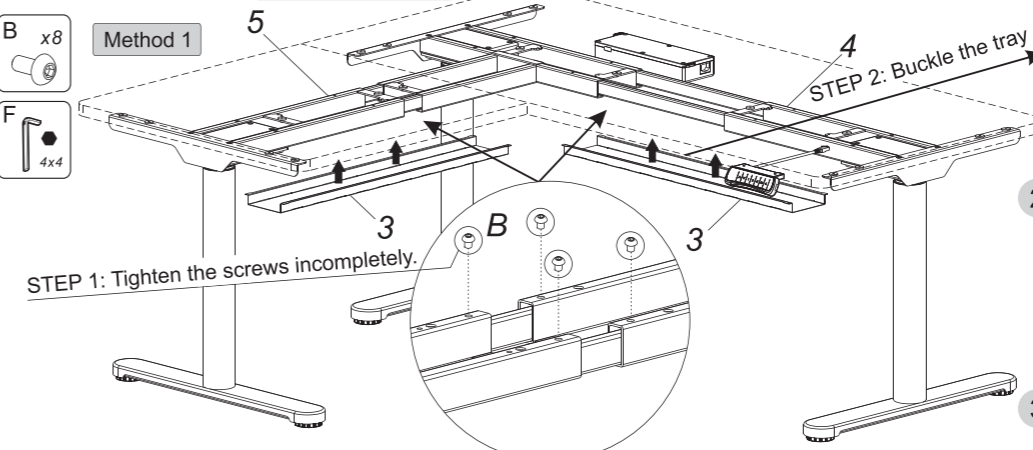


2



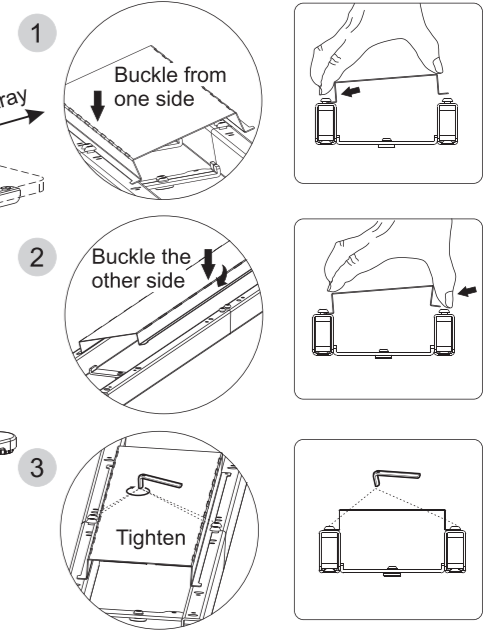
STEP 6-A

Install cable management trays



STEP 1: Tighten the screws incompletely.

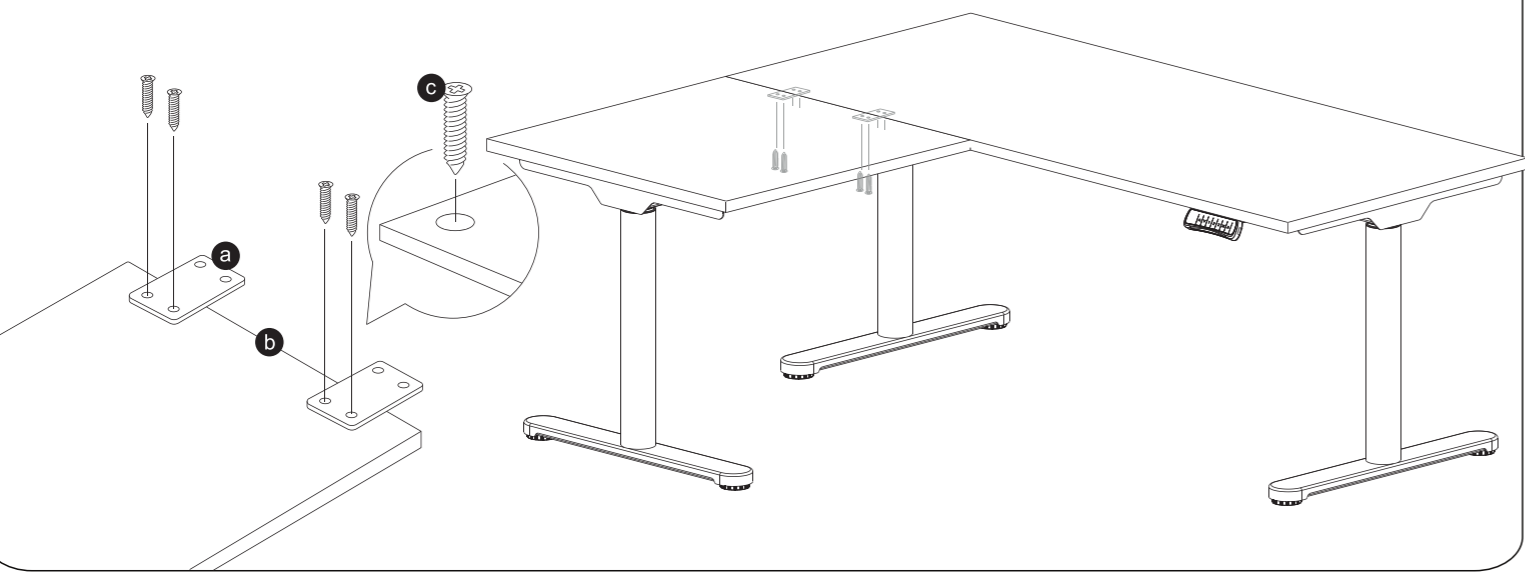
STEP 2: Buckle the tray



First, rotate the screws (B) incompletely into the supporting beam (4) and auxiliary girder (5) with allen key (E). Next, slide one side of the cable management tray (3) into the screws (B), then the other side. Finally, tighten the screws (B) with allen key (E).

STEP 4-B

Attach connector plates (a) to return top (b) by tightening screws (c)

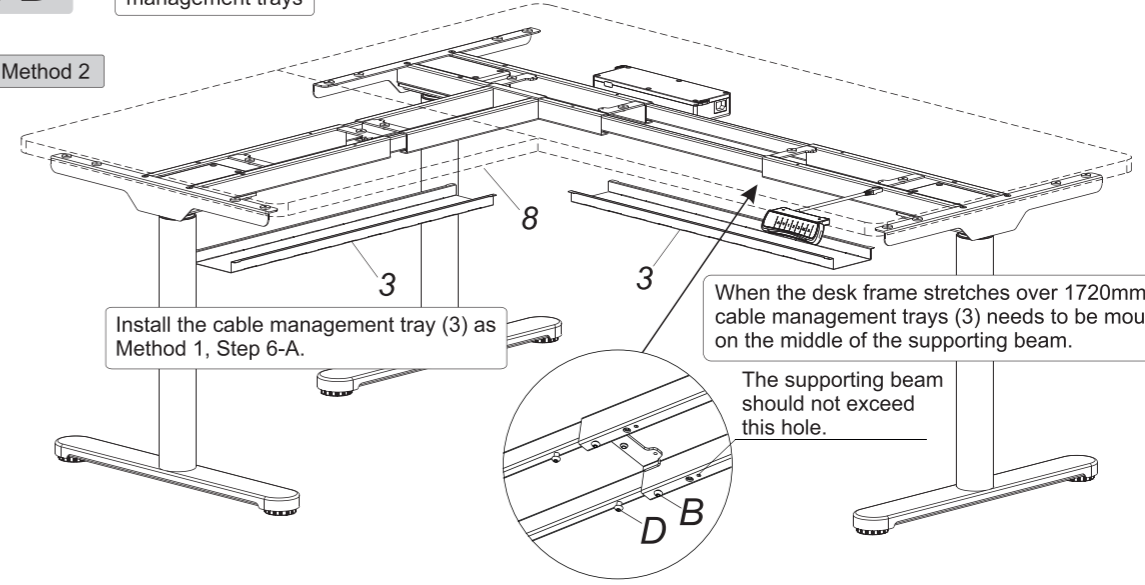


STEP 6-B

Install cable management trays



Method 2



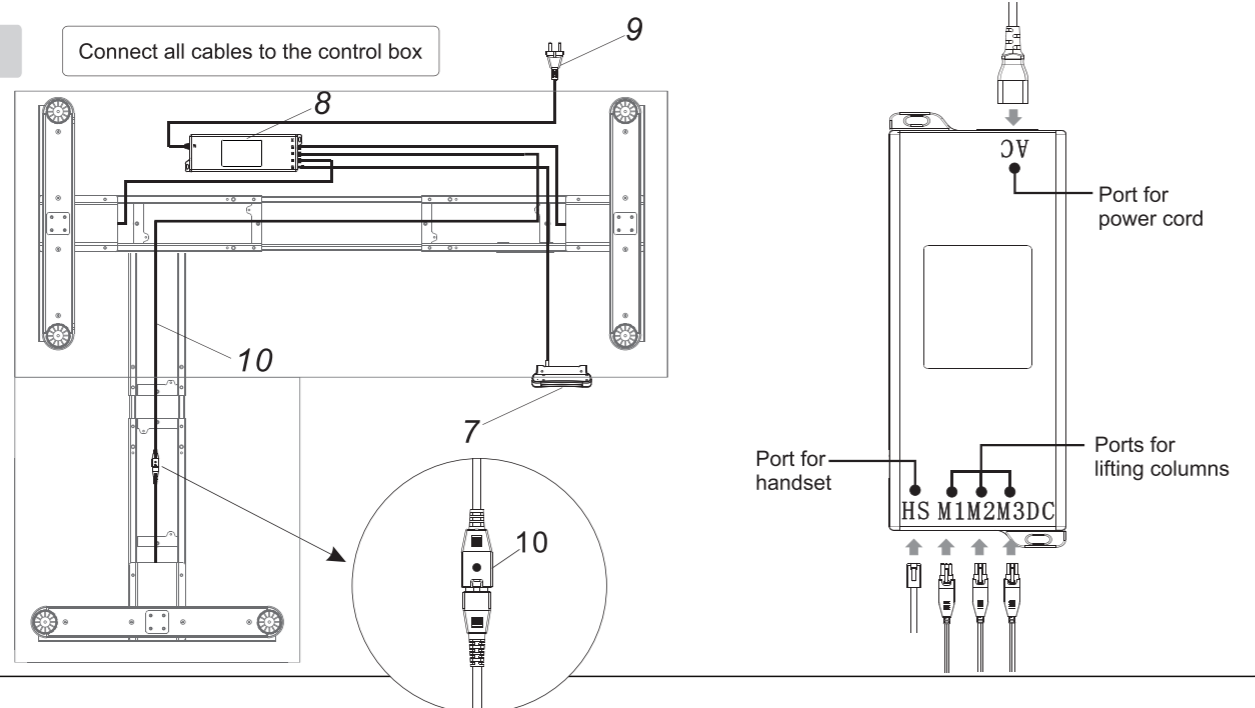
Install the cable management tray (3) as Method 1, Step 6-A.

When the desk frame stretches over 1720mm, the cable management trays (3) needs to be mounted on the middle of the supporting beam.

The supporting beam should not exceed this hole.

STEP 5

Connect all cables to the control box



Common fault treatment

The following tips will help you detected and eliminate the common fault and error. If the fault you met is not listed below, please contact with your supplier. Only the manufacturer and professionals are capable for investigating and correcting those fault and error.

Fault phenomenon	Method
The desktop could not function	Check if all the cables well connected;
Rising in a low speed	Check if overloaded, max loading: 150kg;
The desk moving downwards without any operation	
Automatically Self-Reset	Reset;
Go down but not go up or go up but not go down	
The upper and downward height is not enough	
The desk could not lifted	Restart after suspend for 18mins while connecting with power.
Overwork (Duty cycle: Max 2min on/18min OFF)	

- Power supply: AC100V-240V, 50/60Hz
- Service Environment: 0-40°C
- Unplug the power plug before cleaning, wipe the dust on surface with slight wet dishcloth when cleaning, be careful not to let the drops into the internal parts, not loose the connector.
- The electric box contains electronic components, metals, plastics, wires etc., so dispose of it in accordance with each country's environmental legislation, not the general household waste.
- Check carefully to ensure correct and complete assembly before using.
- Be familiar with all functions and program settings of the product before first use.
- Children are forbidden to play on the product because of unforeseen action when playing, so any dangerous consequences caused by this improper action will not be on manufacturers.
- Slight noise caused by the V-ribbed belt or brake system due to structure will not have any effect on the use of the equipment.
- Corrosive or abrasive materials are forbidden to clean the equipment. Must ensure that the cleaner used will not pollute the environment.
- This appliance can be used by children aged from 8 years and above and persons with reduced physical, sensory or mental capabilities or lack of experience and knowledge if they have been given supervision or instruction concerning use of the appliance in a safe way and understand the hazards involved. Children shall not play with the appliance.
- Cleaning and user maintenance shall not be made by children without supervision.
- If the supply cord is damaged, it must be replaced by the manufacturer, its service agent or a similarly qualified person in order to avoid a hazard.
- Please make sure there is no hazard sources in your operating environment. e.g., do not litter the tools around. Always be careful to treat the packaging materials in order to avoid any possible danger, e.g. plastic bag may lead to choking hazard to children.
- Keep the original package of the equipment if necessary in case of the future use in transportation.