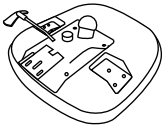

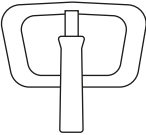







Finch Mesh Drafting Chair

jason.l
your office furniture mate



	1		1		1	 M8*25x3	A
	1		1		5	 M6*25x2	B

Need help!

Call us on **1300 527 665**

www.jasonl.com.au

1 of 4

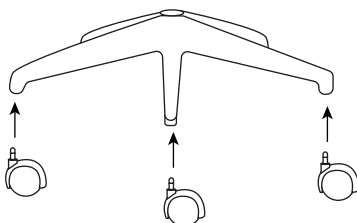
Finch Mesh Drafting Chair

jason.l
your office furniture mate



Drafting Base Assembly

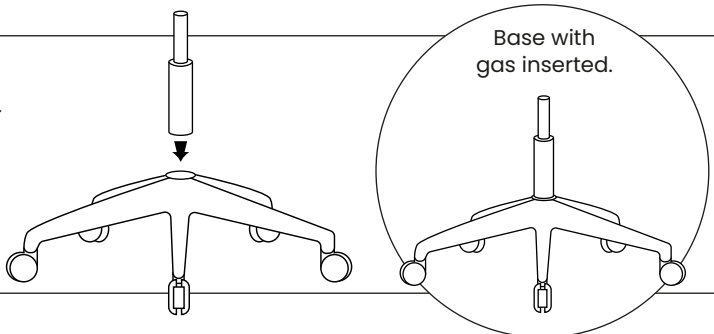
STEP 1



Insert castors
into base.

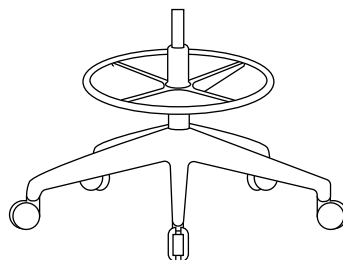
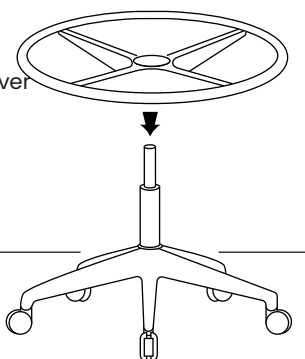
STEP 2

Insert gas cylinder
into base.



STEP 3

Insert drafting ring over
gas as shown.



Base assembly complete !

Need help!

Call us on **1300 527 665**

www.jasonl.com.au

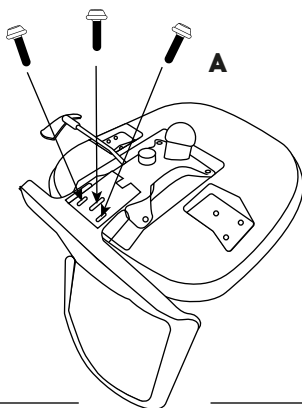
2 of 4

Finch Mesh Drafting Chair

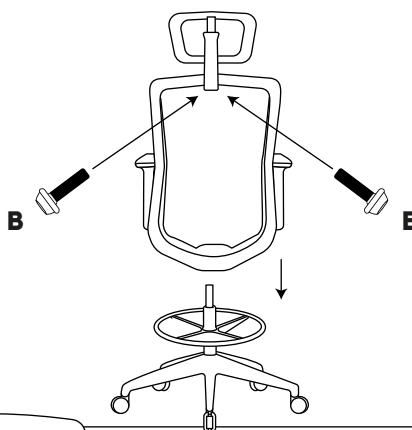
jason.l
your office furniture mate



STEP 4 - Join seat with back assembly



STEP 5 - Headrest assembly



**Assembly
done!**



Need help!

Call us on **1300 527 665**

www.jasonl.com.au

3 of 4

Finch Mesh Drafting Chair

Height adjustable arms Assembly *if purchase with height adjustable arms

A x6

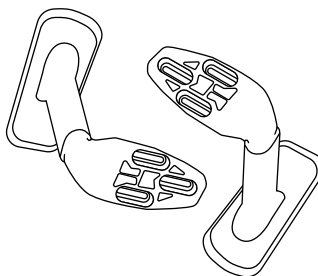


M6*35x6

B x1



STEP 6



Adjustable arm and armpad comes assembled

STEP 7

Attach arm using 6 x M6*35mm (3 on the left arm and 3 on the right arm). Tighten screws all the way down into the chair seat.

