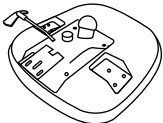

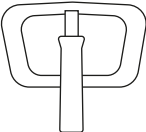







Finch Mesh Drafting Chair

jason.l
your office furniture mate



	1		1		1	 M8*25x3	A
	1		1		5	 M6*25x2	B

Need help!

Call us on **1300 527 665**

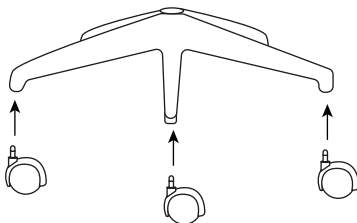
www.jasonl.com.au

1 of 3

Finch Mesh Drafting Chair

Drafting Base Assembly

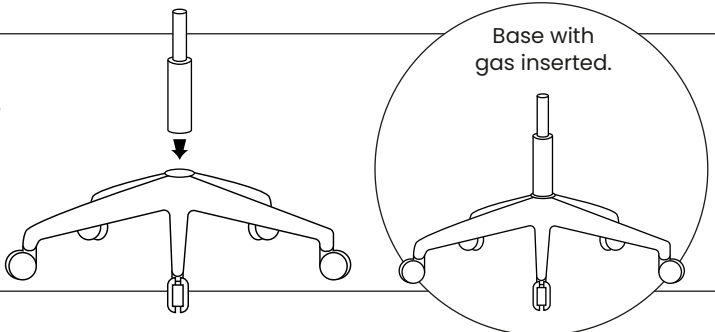
STEP 1



Insert castors
into base.

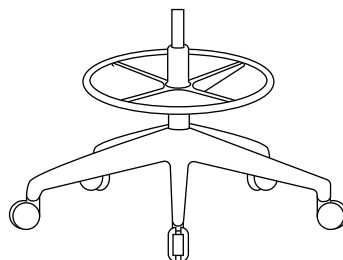
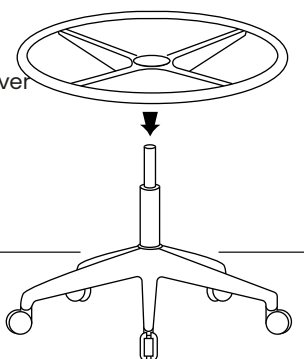
STEP 2

Insert gas cylinder
into base.



STEP 3

Insert drafting ring over
gas as shown.



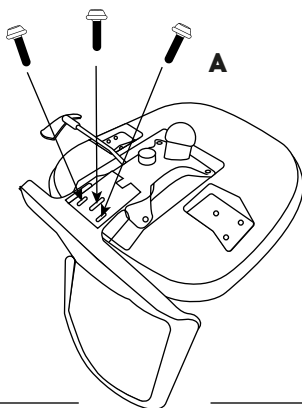
Base assembly complete !

Finch Mesh Drafting Chair

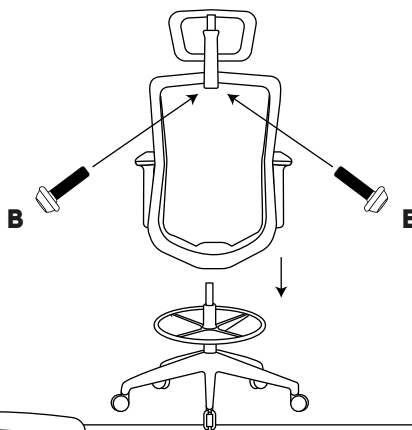
jason.l
your office furniture mate



STEP 4 - Join seat with back assembly



STEP 5 - Headrest assembly



**Assembly
done!**



Need help!

Call us on **1300 527 665**

www.jasonl.com.au

3 of 3