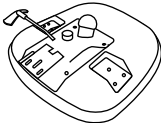

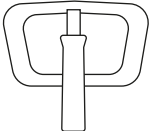


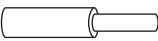




Finch Mesh Chair with headrest

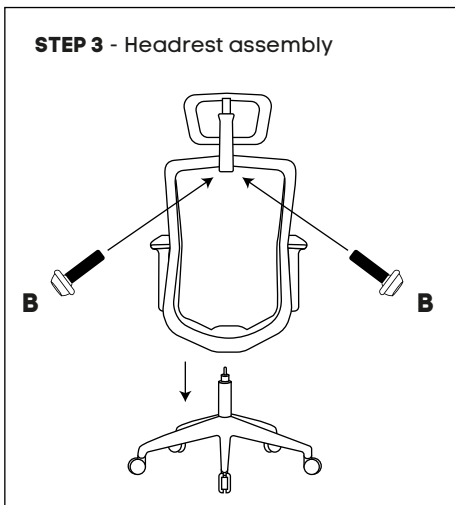
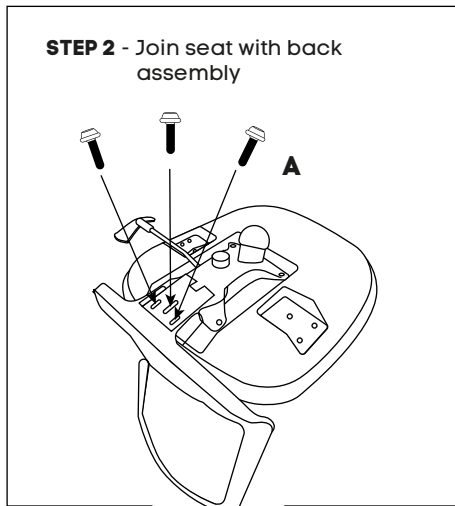
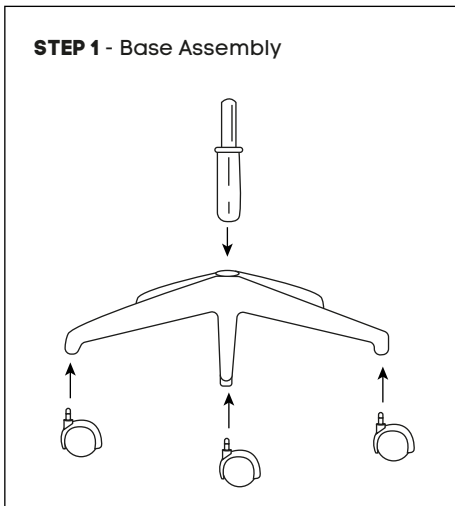
jason.l

your office furniture mate



	1		1		1	 M8*25x3	A
	1		1		5	 M6*25x2	B

Finch Mesh Chair with headrest



Assembly done!



Finch Mesh Chair with headrest

Height adjustable arms Assembly *If purchase with height adjustable arms

A x6

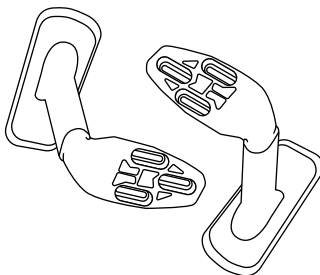


M6*35x6

B x1



STEP 4



Adjustable arm and armpad comes assembled

STEP 5

Attach arm using 6 x M6*35mm (3 on the left arm and 3 on the right arm). Tighten screws all the way down into the chair seat.

