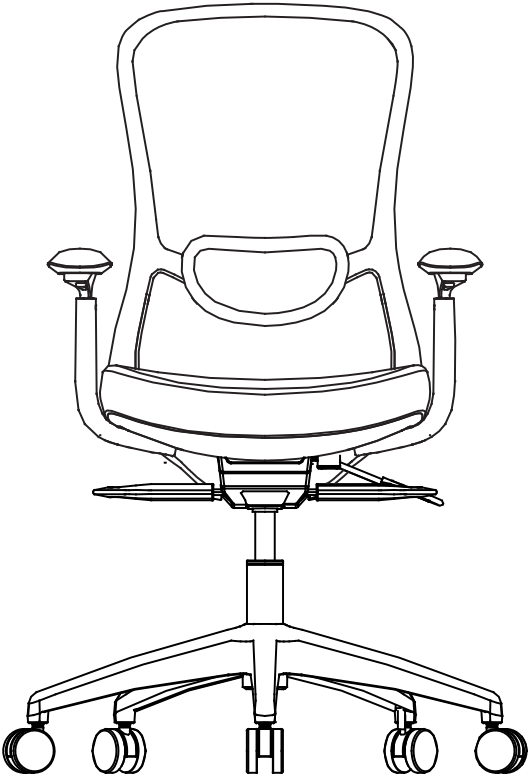


# Falcon mesh chair

**jason.l**  
your office furniture mate



# Falcon mesh chair

**jason.l**  
your office furniture mate



## Parts

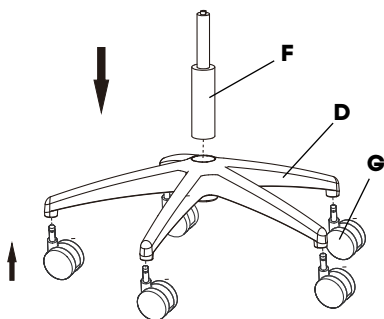


Because of the edges of some parts before assembly may be sharp, please handle carefully.

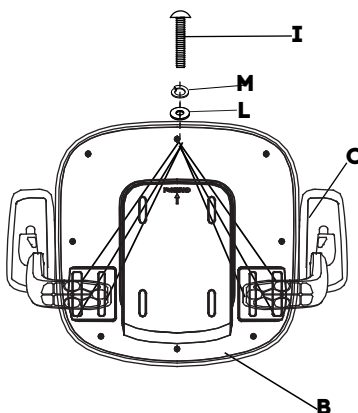
<b>A</b>		1pcs
<b>B</b>		1pcs
<b>C</b>		1pcs
<b>D</b>		1pcs
<b>E</b>		1pcs

<b>F</b>			1pcs
<b>G</b>			5pcs
<b>H</b>		M6x40mm	2pcs
<b>I</b>		M6x45mm	8pcs
<b>J</b>		M8x20mm	3pcs
<b>L</b>		M8xø17	6pcs
<b>M</b>		M8x14x2 mm	6pcs
<b>N</b>		M6	1pcs

## STEP 1 - Base assembly



## STEP 2 - Height adjustable arms assembly



**Need help!**

Call us on **1300 527 665**

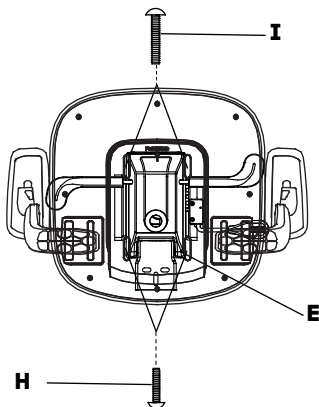
[www.jasonl.com.au](http://www.jasonl.com.au)

2 of 3

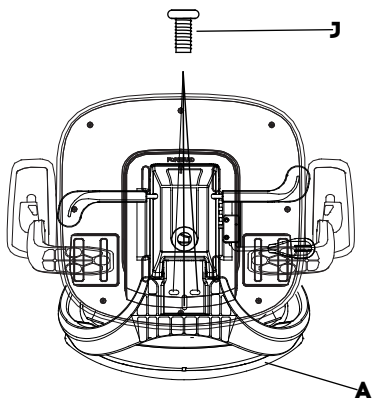
# Falcon mesh chair



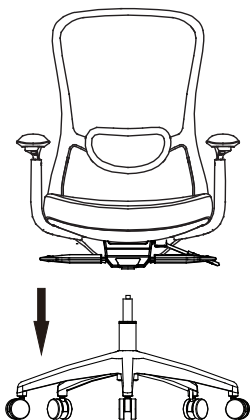
## STEP 3 - Seat assembly



## STEP 4 - Back assembly



## STEP 5 - Join Base Assembly with Seat & Back assembly



## Assembly done!

