

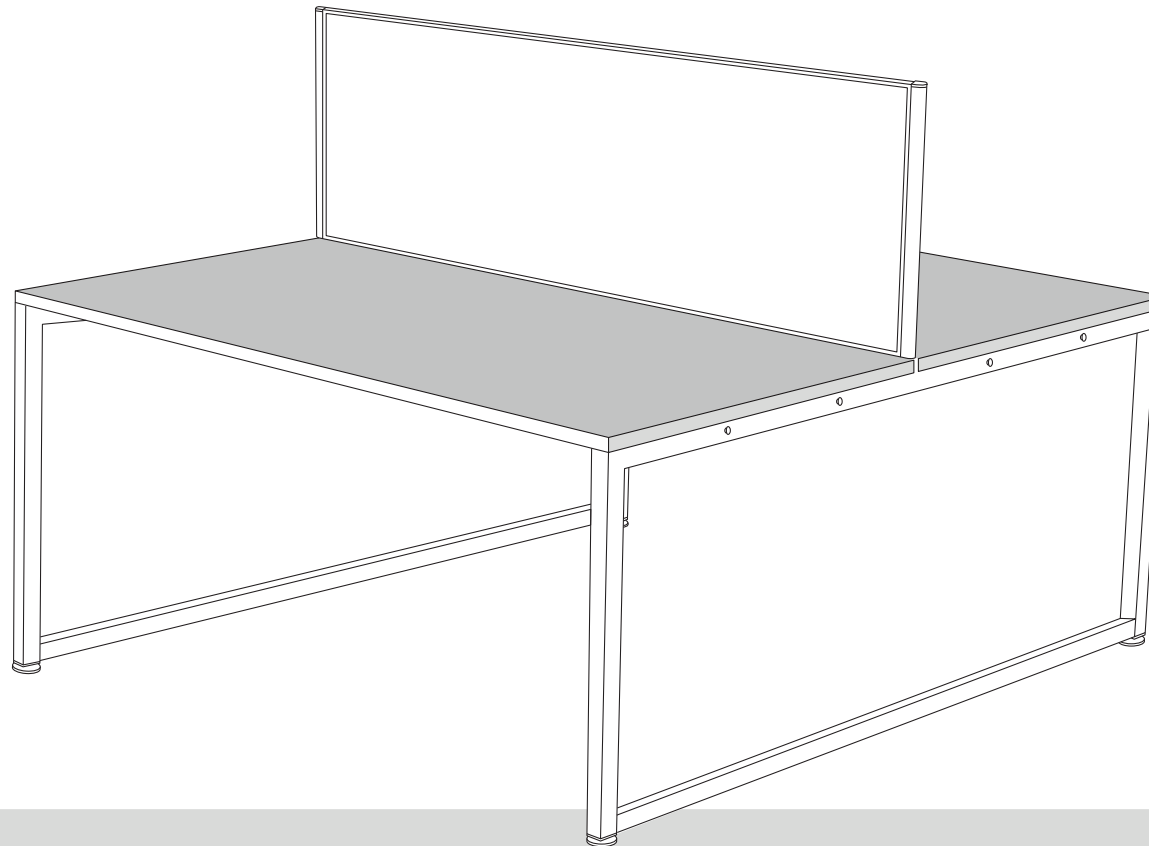
**ASSEMBLY INSTRUCTIONS**  
**Litewall Evolve**  
**Workstation 2 Person**

Size: 1200mm


[www.jasonl.com.au](http://www.jasonl.com.au)

**Need help!**  
Call us on  
**1300 527 665**

**jason.l**  
your office furniture mate



**Tools Required:** Power screwdriver; Allen key set.

 2 persons required for installation

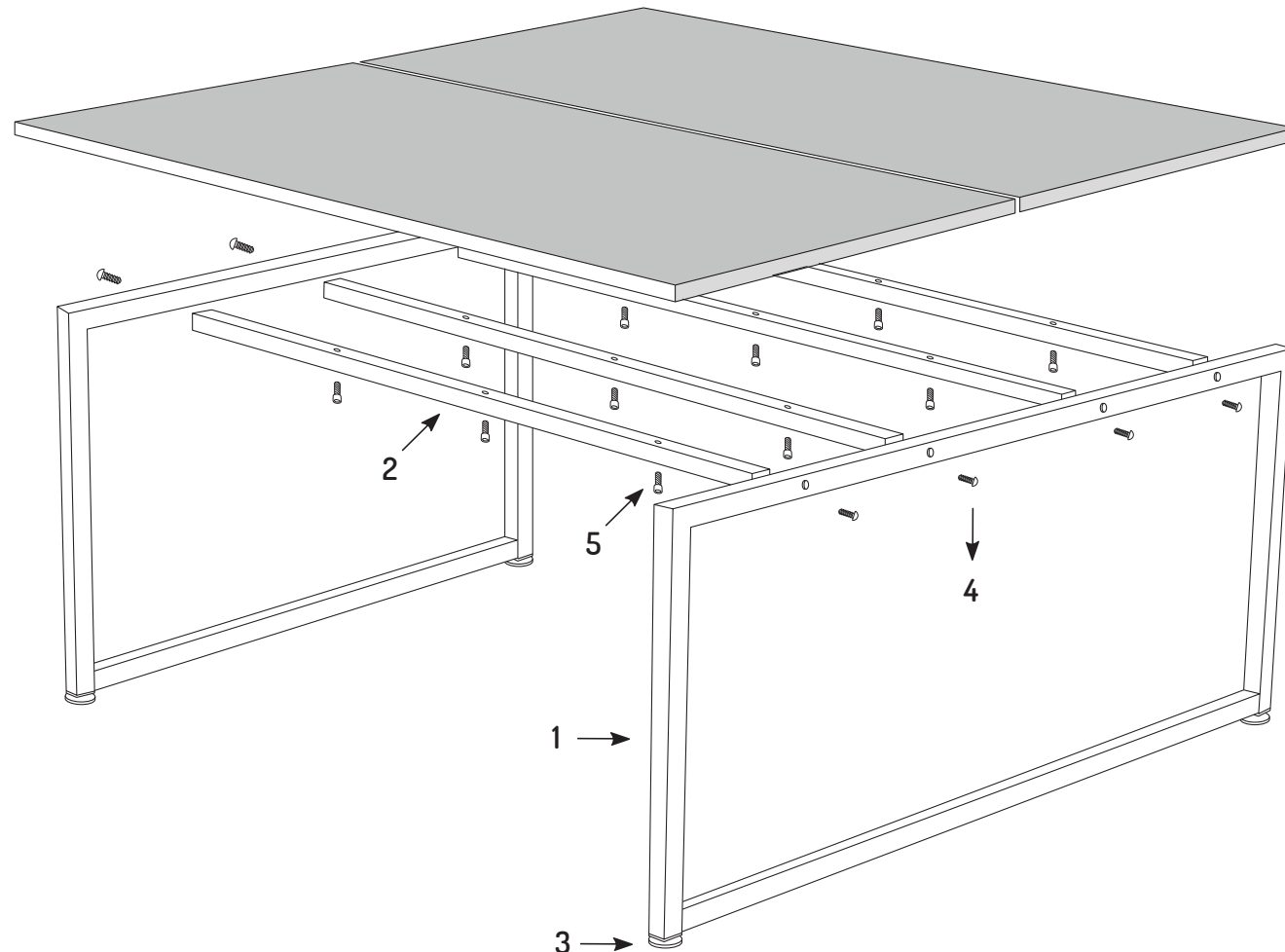
**ASSEMBLY INSTRUCTIONS**  
**Litewall Evolve**  
**Workstation 2 Person**

Size: 1200mm

[www.jasonl.com.au](http://www.jasonl.com.au)

**Need help!**  
Call us on  
**1300 527 665**

**jason.l**  
your office furniture mate



**COMPONENTS**

- 1 Legs x2 (1625mm)
- 2 Beams x4 (1194mm)
- 3 Feet x4

**SCREWS**

- 4 M8x25mm Dome Head x8
- 5 M6x40mm Hex Head x12

# ASSEMBLY INSTRUCTIONS

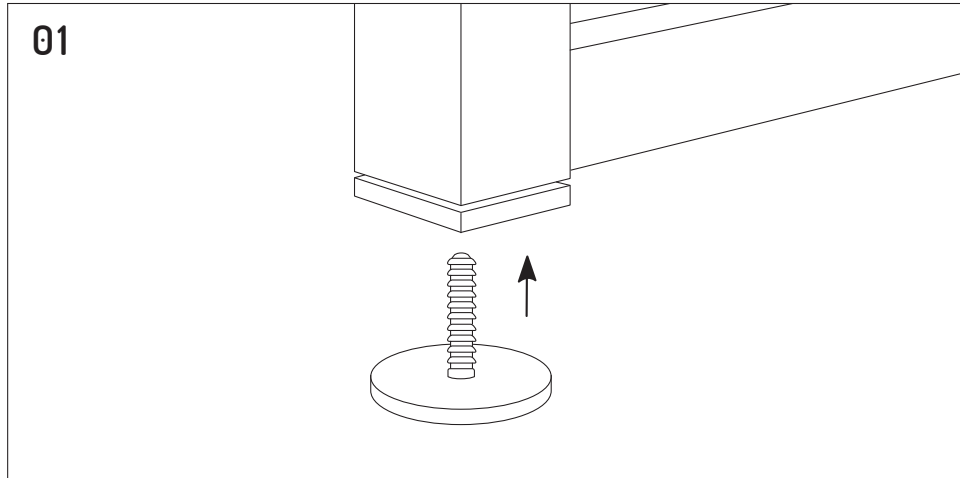
## Litewall Evolve Workstation 2 Person

Size: 1200mm

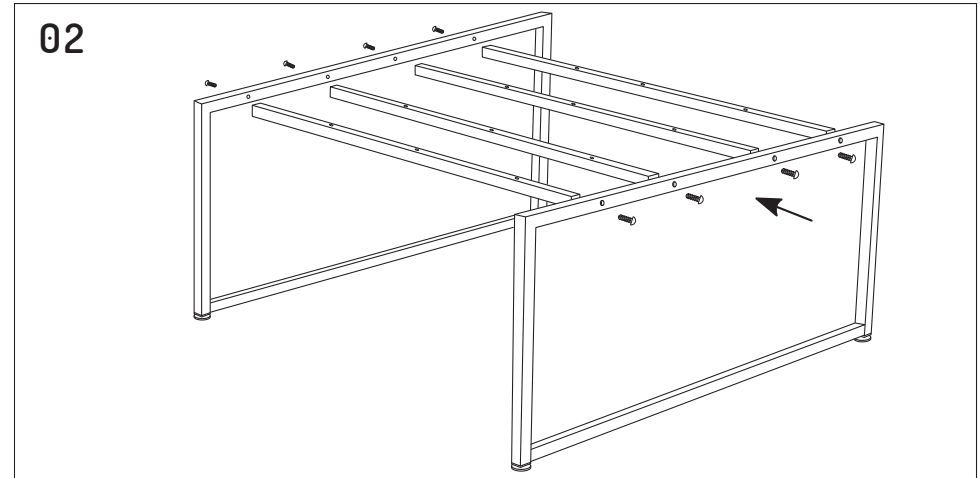
[www.jasonl.com.au](http://www.jasonl.com.au)

**Need help!**  
Call us on  
**1300 527 665**

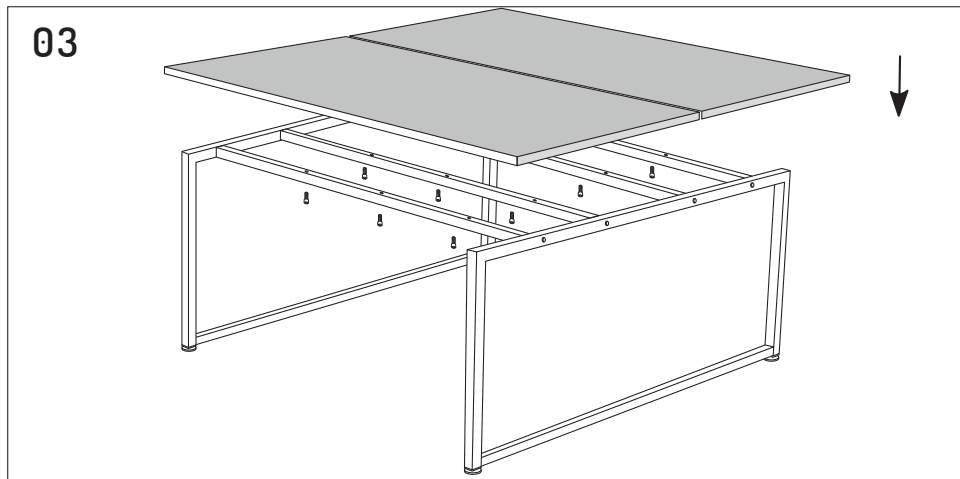
**jason.l**  
your office furniture mate



Screw the feet to each leg.



Attach 4x 1194mm beams to 1625mm legs using M8x25mm dome head screw.



Attach tops to frame by tightening M6x40mm through beams & into tops.

