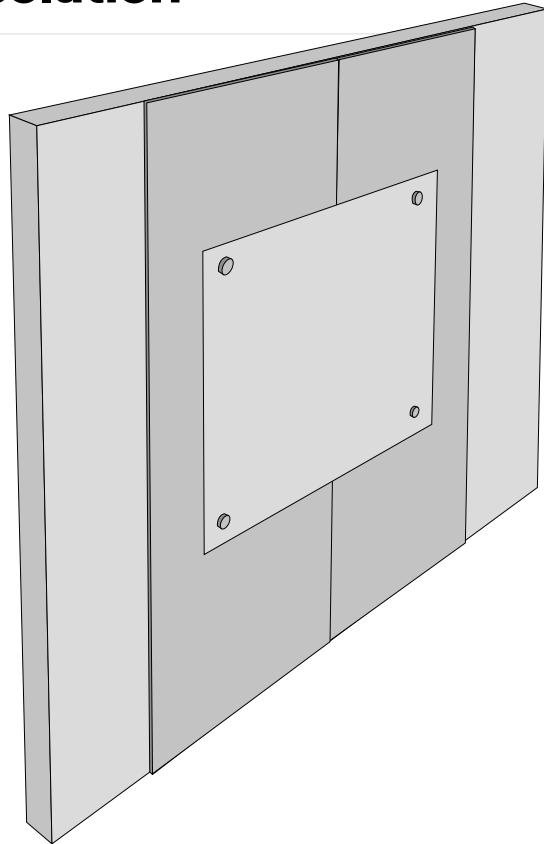
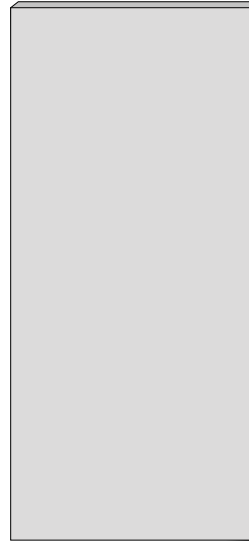


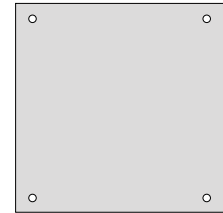
Echo Panel + Glassboard solution



A*1 Echo Panel (size and quantity varies according to purchase size)




B*1 Glassboard (size and quantity varies according to purchase size)



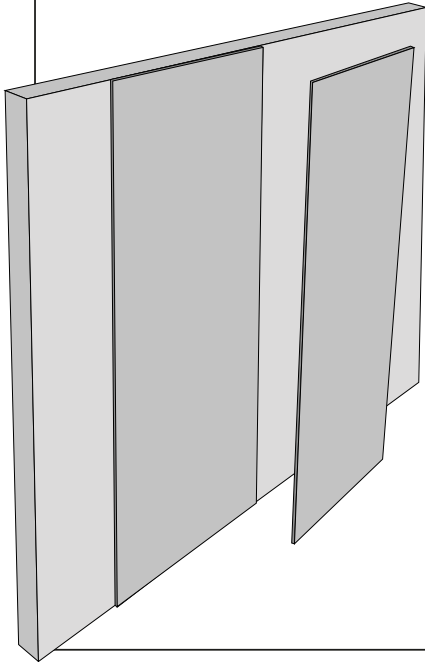
C*4 

D*4 

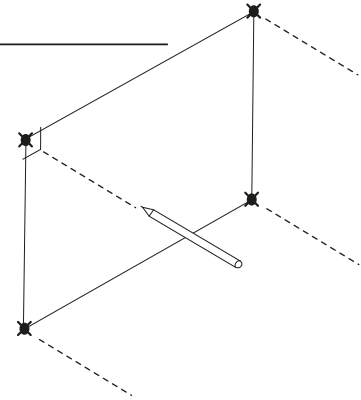
E*4 

Echo Panel + Glassboard solution

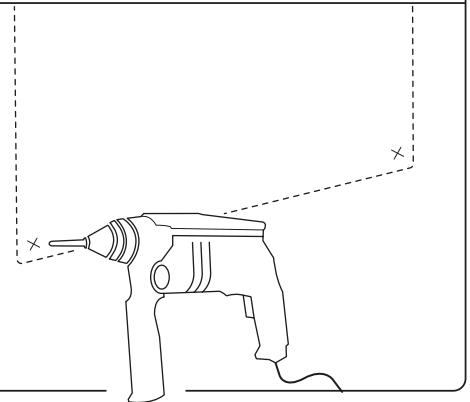
1. Please install the echo panels to the wall first following the Echo Pannel Assembly instructions.



2. Present the glassboard in the desired location, making sure it is centered. Place a pencil mark into the Echo Pannel trough the Glassboard holes.

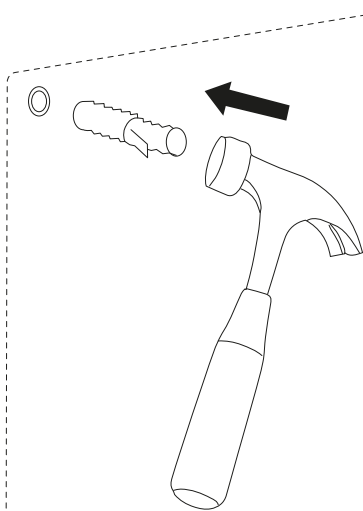


3. Make holes on the echo panels to make way for standoffs/brackets. Please note these holes must be same diameter as provided standoffs/brackets.

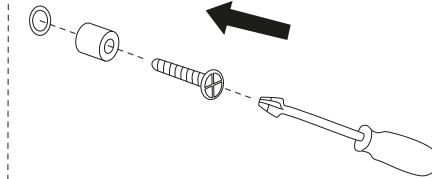


Echo Panel + Glassboard solution

4. Use a hammer to place all dawsers in place.



2. Screw the standoffs to the wall.



x4



3. Place the glassboard and secure with brackets.

x4

