

## ASSEMBLY INSTRUCTIONS

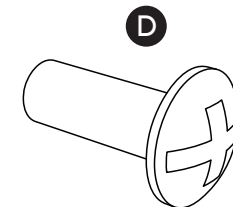
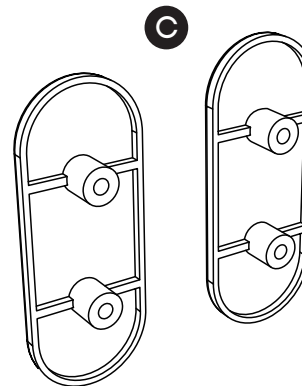
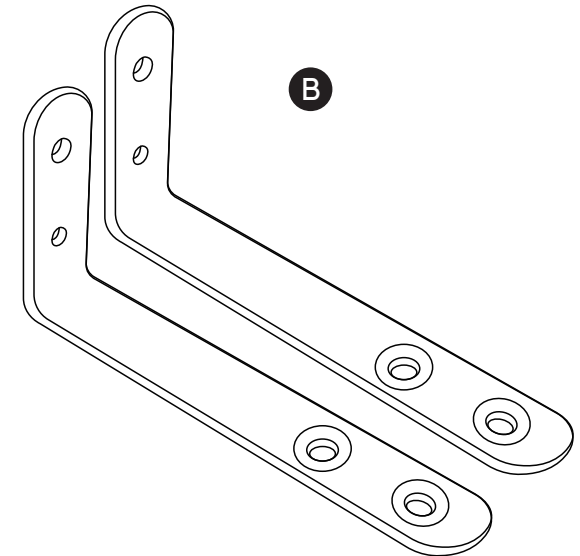
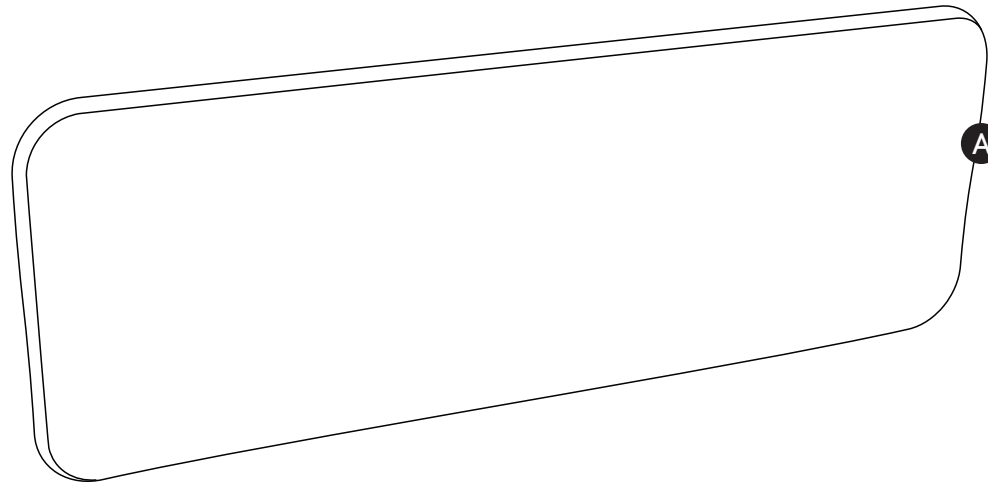
# Echo modesty panel with L-brackets

[www.jasonl.com.au](http://www.jasonl.com.au)

**Need help!**

Call us on  
**1300 527 665**

**jason.l**  
your office furniture mate



### COMPONENTS

- A Echo Plate x 1
- B L Bracket x2
- C Clamps cover x2
- D Screws x4
- E Wood screws x 4

Experienced assembly is required. User will need to drill wood screws into underside of desk. No pre-drilled holes are provided for this system.



2 Persons required for installation \*



Power Drill tool is required.

## ASSEMBLY INSTRUCTIONS

# Echo modesty panel with L-brackets

[www.jasonl.com.au](http://www.jasonl.com.au)

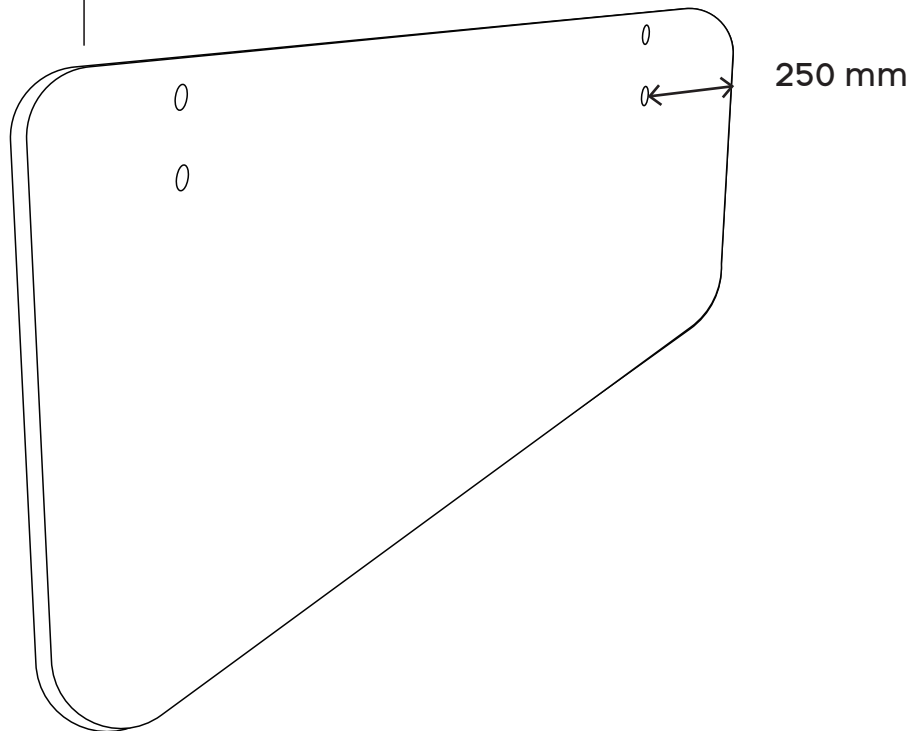
**Need help!**

Call us on  
**1300 527 665**

**jason.l**  
your office furniture mate

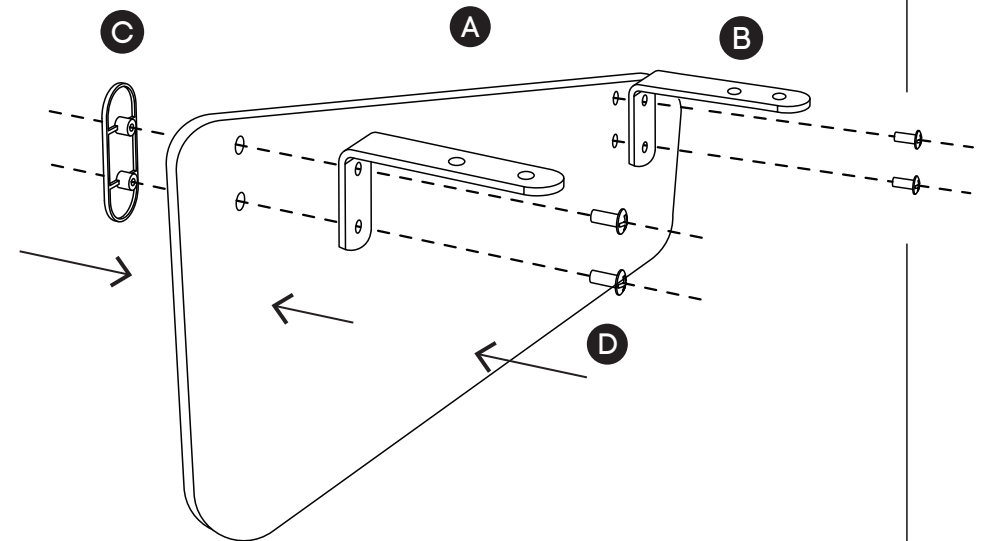


### STEP 01



Please drill two holes using 8mm drill bit having a 32.5 mm gap between screw holes. Please measure the distance from the top of the panel to ensure that the top plate bracket will sit flush with the echo modesty panel.

### STEP 02



Assemble **A** plate with **B** bracket and tighten using 4 x screws provided (**D**) and apply the bracket cover **C**

## ASSEMBLY INSTRUCTIONS

# Echo modesty panel with L-brackets

[www.jasonl.com.au](http://www.jasonl.com.au)

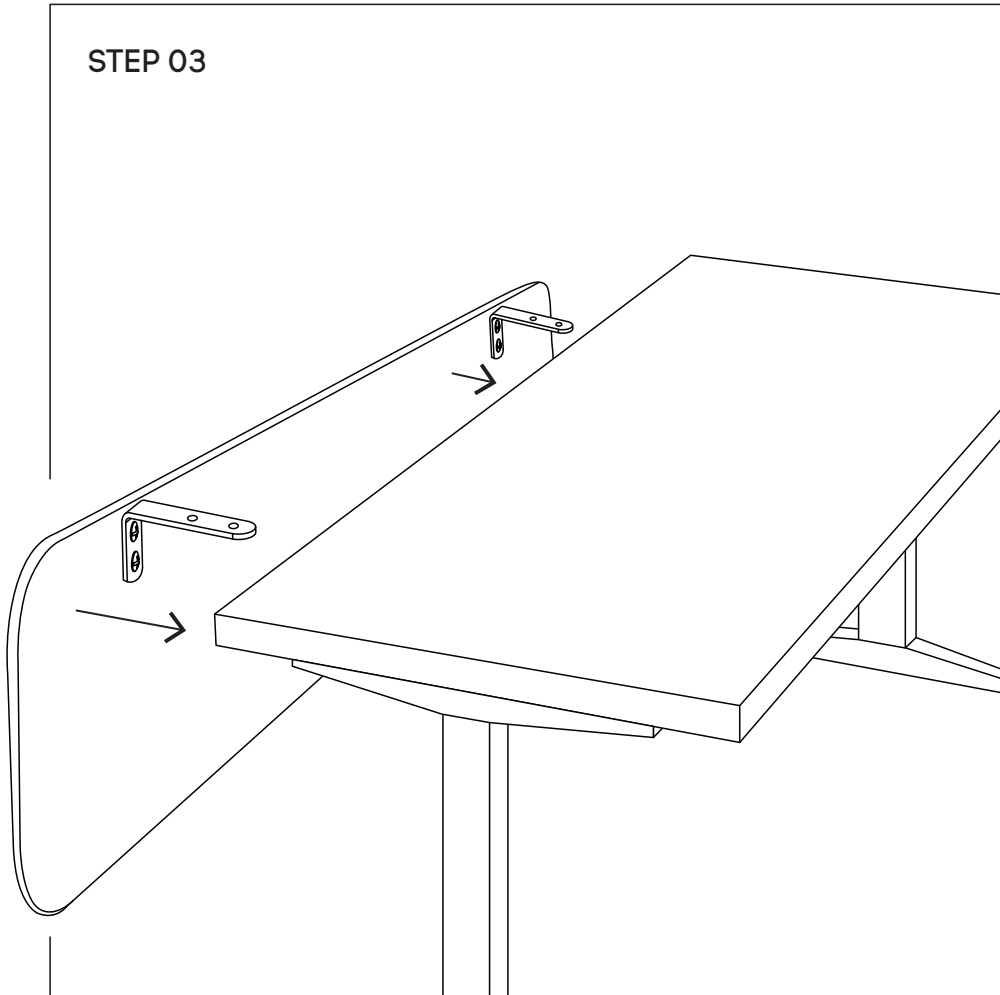
**Need help!**

Call us on  
**1300 527 665**

**jason.l**  
your office furniture mate

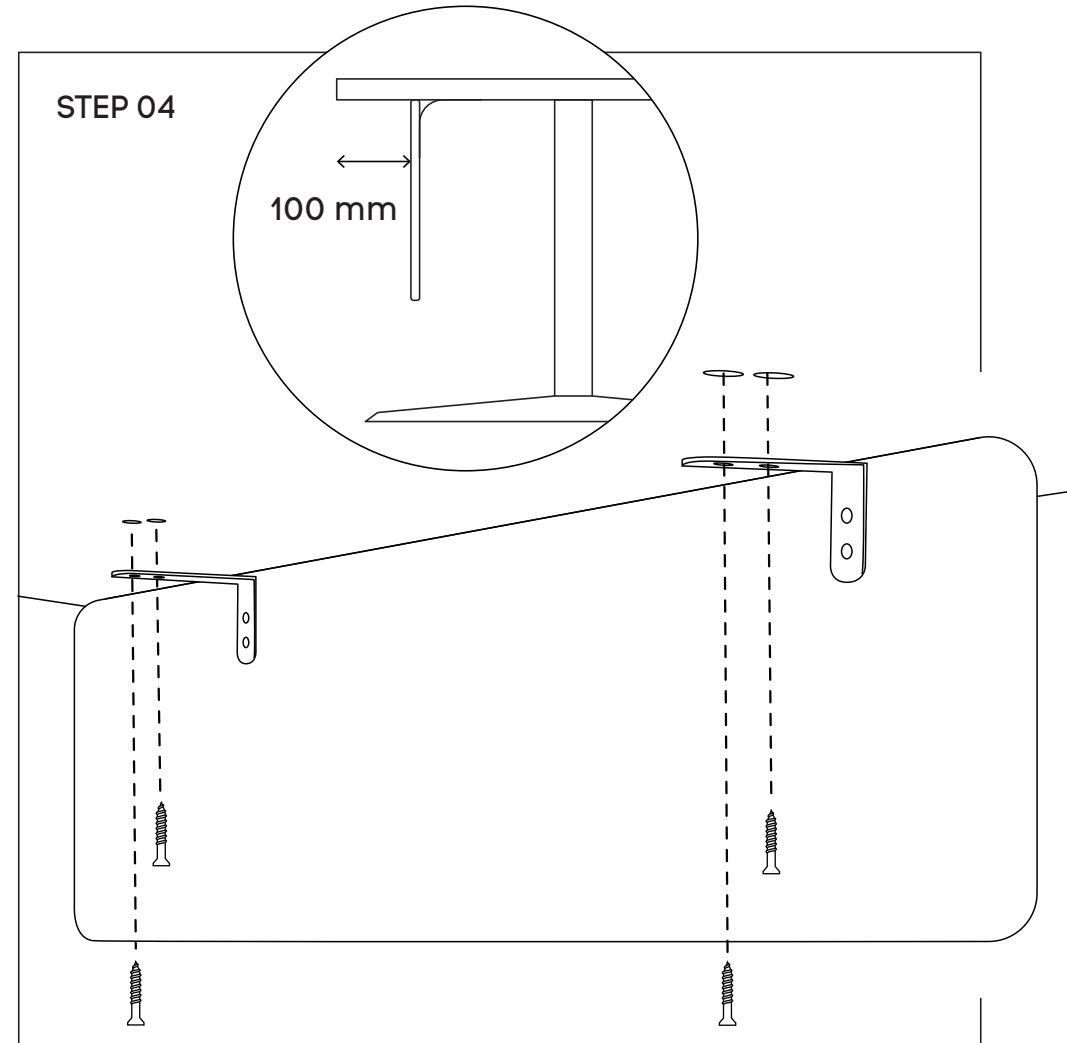


STEP 03



Please assemble Echo panel with desktop using L brackets.

STEP 04



Please drill 4 x wood screws (E) into the underneath desk and tighten the L brackets on the desk. We recommend installing the modesty panel around 100mm from the edge of the top.

**ASSEMBLY INSTRUCTIONS**

**Echo modesty panel  
with L-brackets**

[www.jasonl.com.au](http://www.jasonl.com.au)

**Need help!**

Call us on  
**1300 527 665**

**jason.l**  
your office furniture mate

