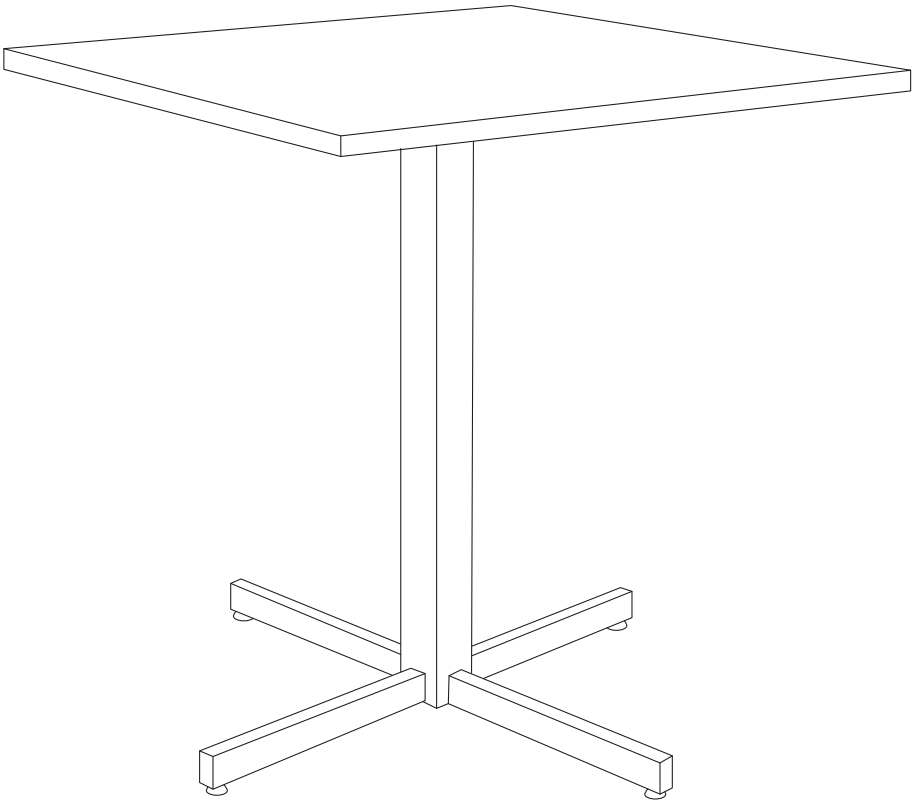


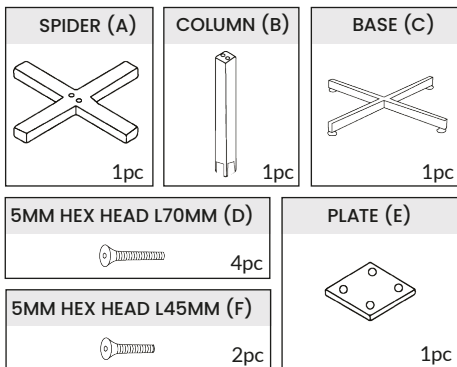
Whistler / Lisboa Table Base

jason.l
your office furniture mate

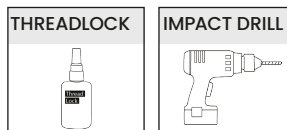


Whistler /Lisboa Table Base

PARTS:



TOOLS (NOT INCLUDED):



We strongly recommend applying thread lock to the full length of all screws and using an impact drill. Scan the QR code with a phone or tablet to access the assembly video.

WARNING:

Always take care with an impact drill gun, especially when screwing into the spider (cross member).

INSTRUCTIONS:

