

ASSEMBLY INSTRUCTIONS

Closed Hutch

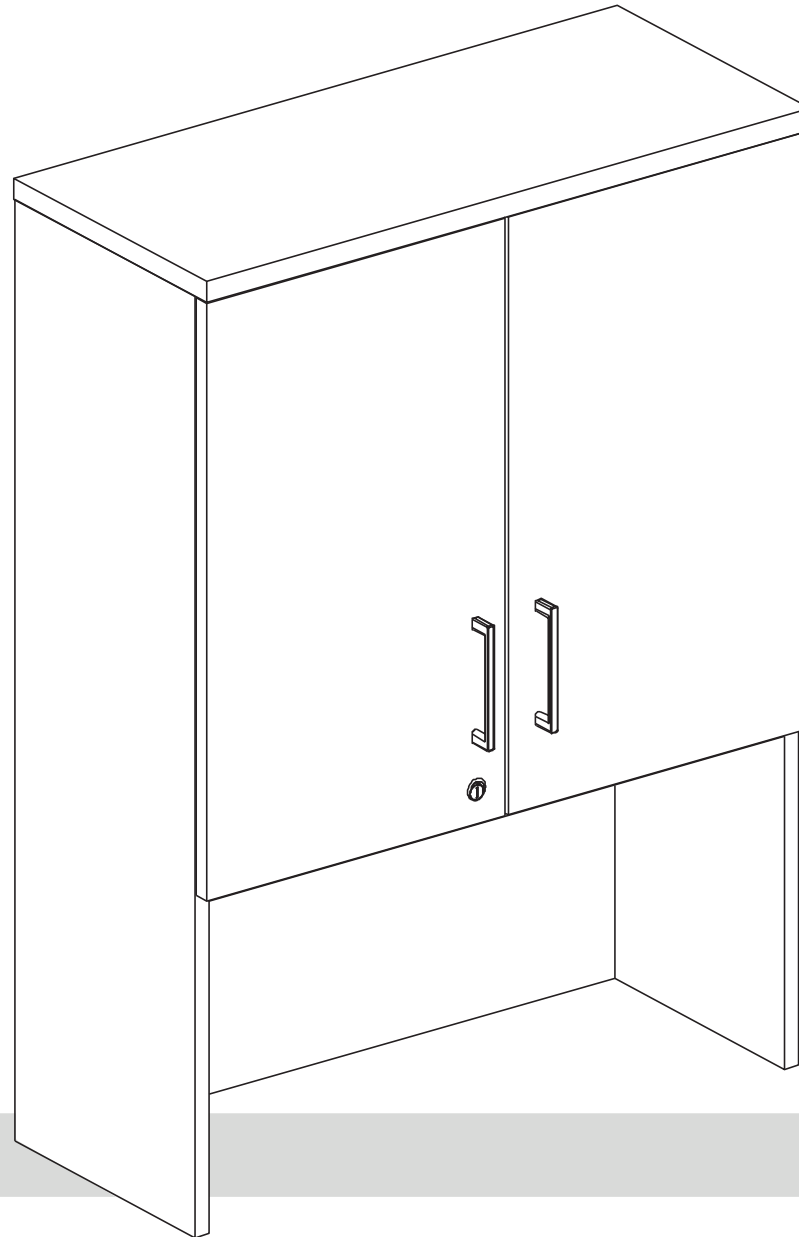
Size (mm): 800L x 350D x 1120H

www.jasonl.com.au

Need help!

Call us on
1300 527 665

jason.l
your office furniture mate



2 persons required for installation

ASSEMBLY INSTRUCTIONS

Closed Hutch

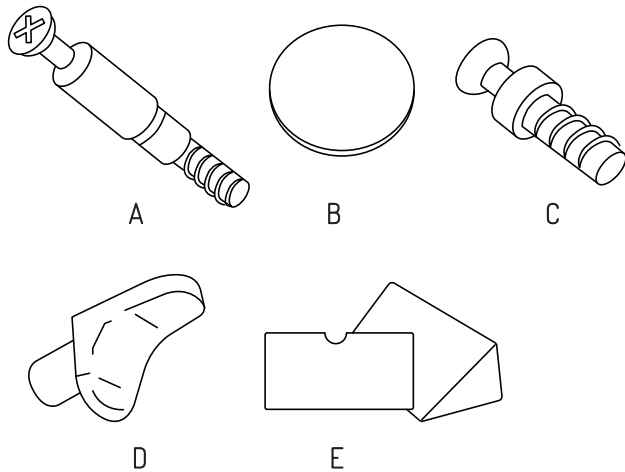
Size (mm): 800L x 350D x 1120H

www.jasonl.com.au

Need help!

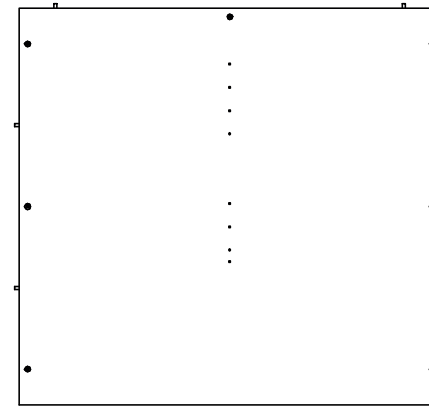
Call us on
1300 527 665

jason.l
your office furniture mate



COMPONENTS

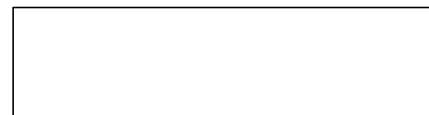
- A Minifix Steel Bolt 10259 (13 pcs)
- B Deco Sticker 20mm Common (13 pcs)
- C Minifix Rafix Bolt 263-20-847 (5 pcs)
- D Collar Stud 284.84.710 (5 pcs)
- E Panel Angle Bracket 03 (2 Sets)



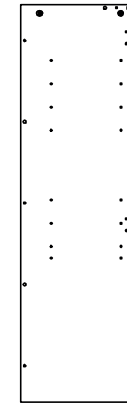
① BACK PANEL
Qty: 1 pc



③ TOP RAIL
Qty: 1 pc



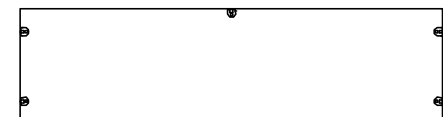
⑥ ADJUSTABLE SHELF
Qty: 1 pc



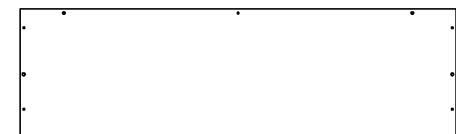
② SIDE PANEL R
Qty: 1 pc



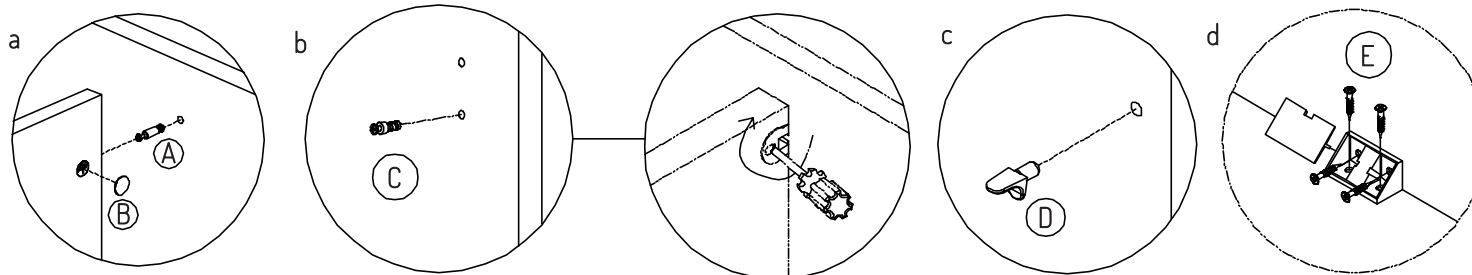
④ SIDE PANEL L
Qty: 1 pc



⑤ FIXED SHELF
Qty: 1 pc



⑦ STRAIGHT SLIM WORKTOP
Qty: 1 pc



Direct screw to fix it

ASSEMBLY INSTRUCTIONS

Closed Hutch

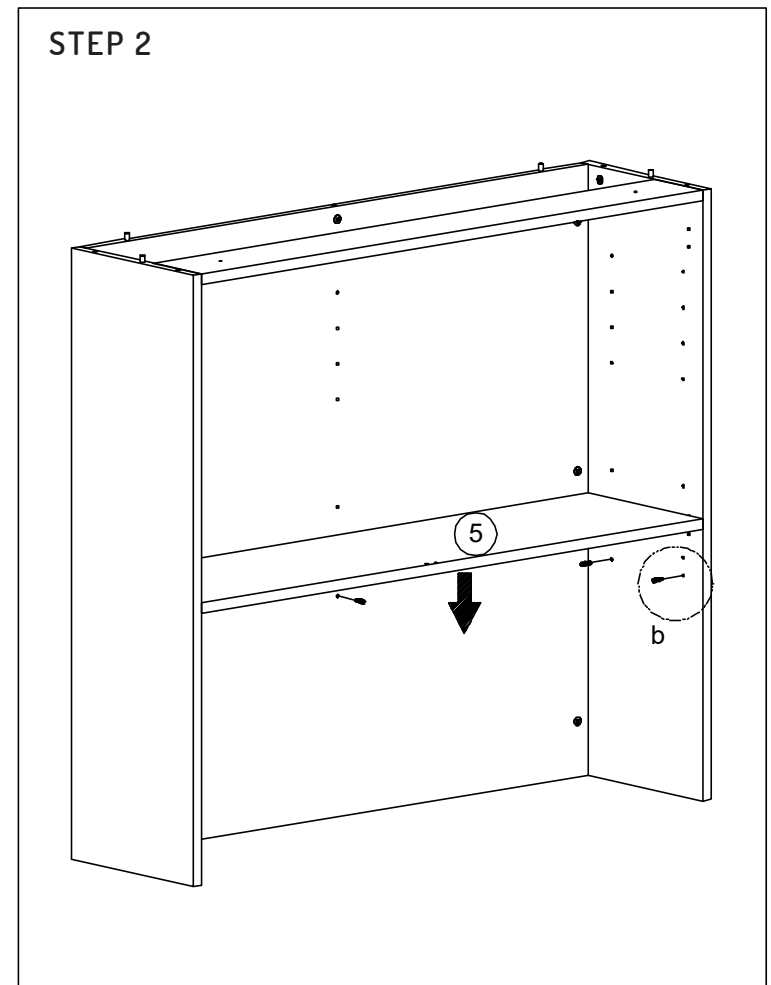
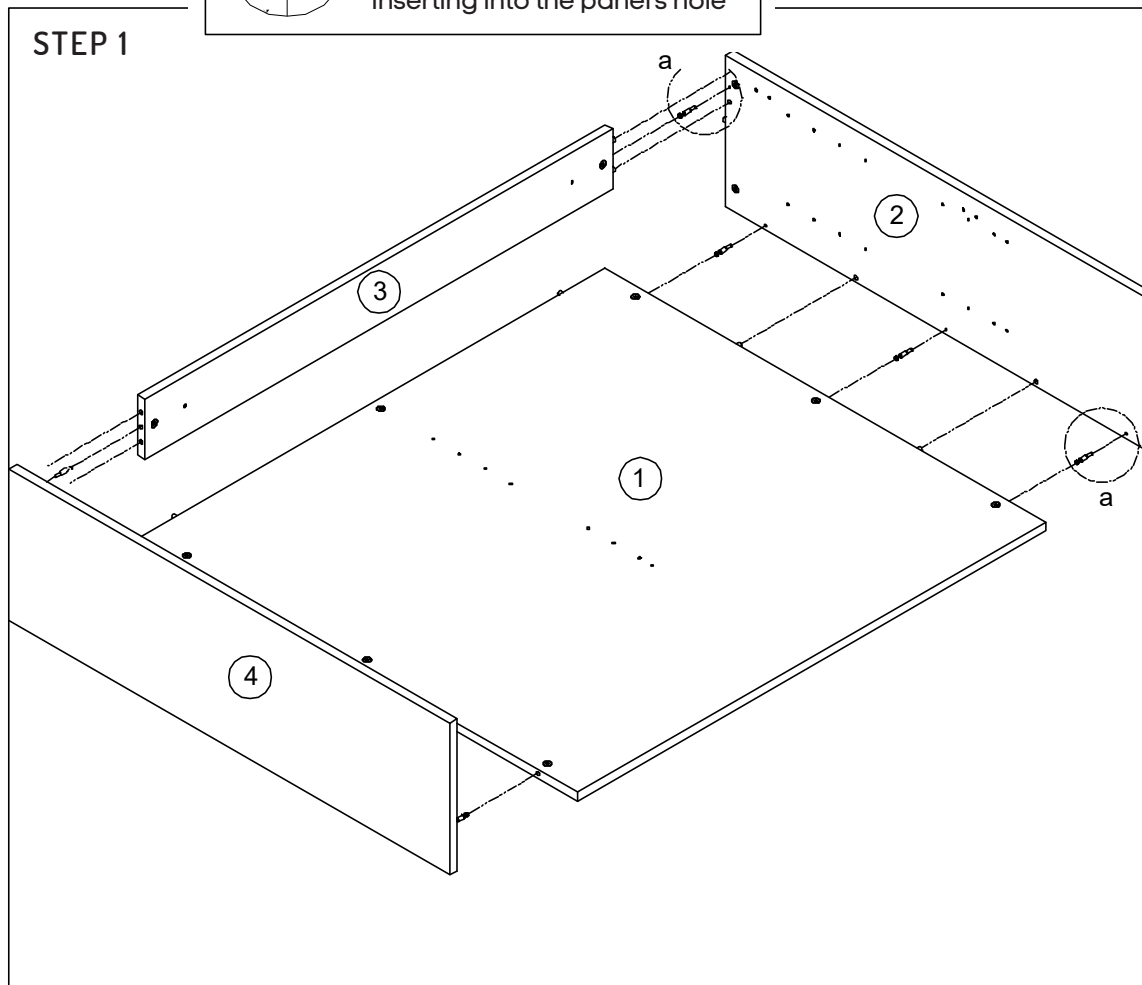
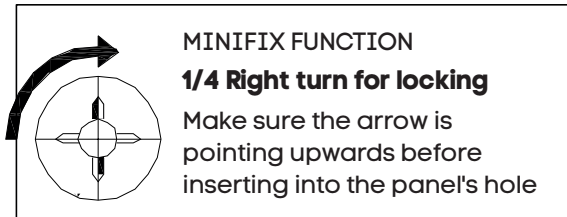
Size (mm): 800L x 350D x 1120H

www.jasonl.com.au

Need help!

Call us on
1300 527 665

jason.l
your office furniture mate



Assemble Part follow sequence number

ASSEMBLY INSTRUCTIONS

Closed Hutch

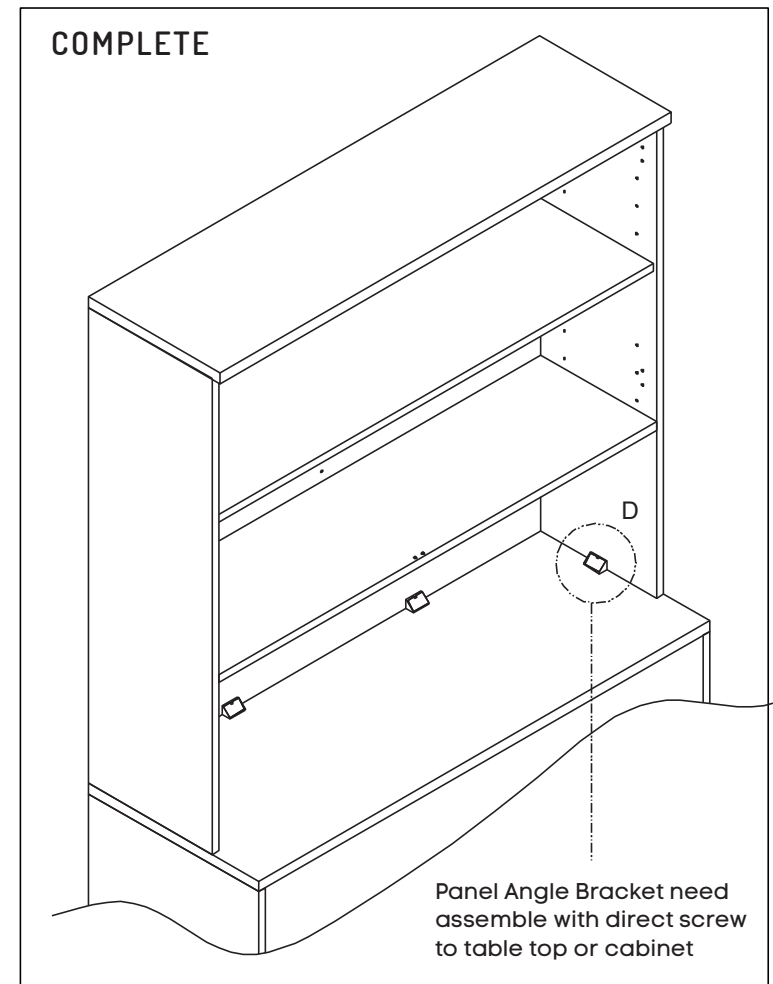
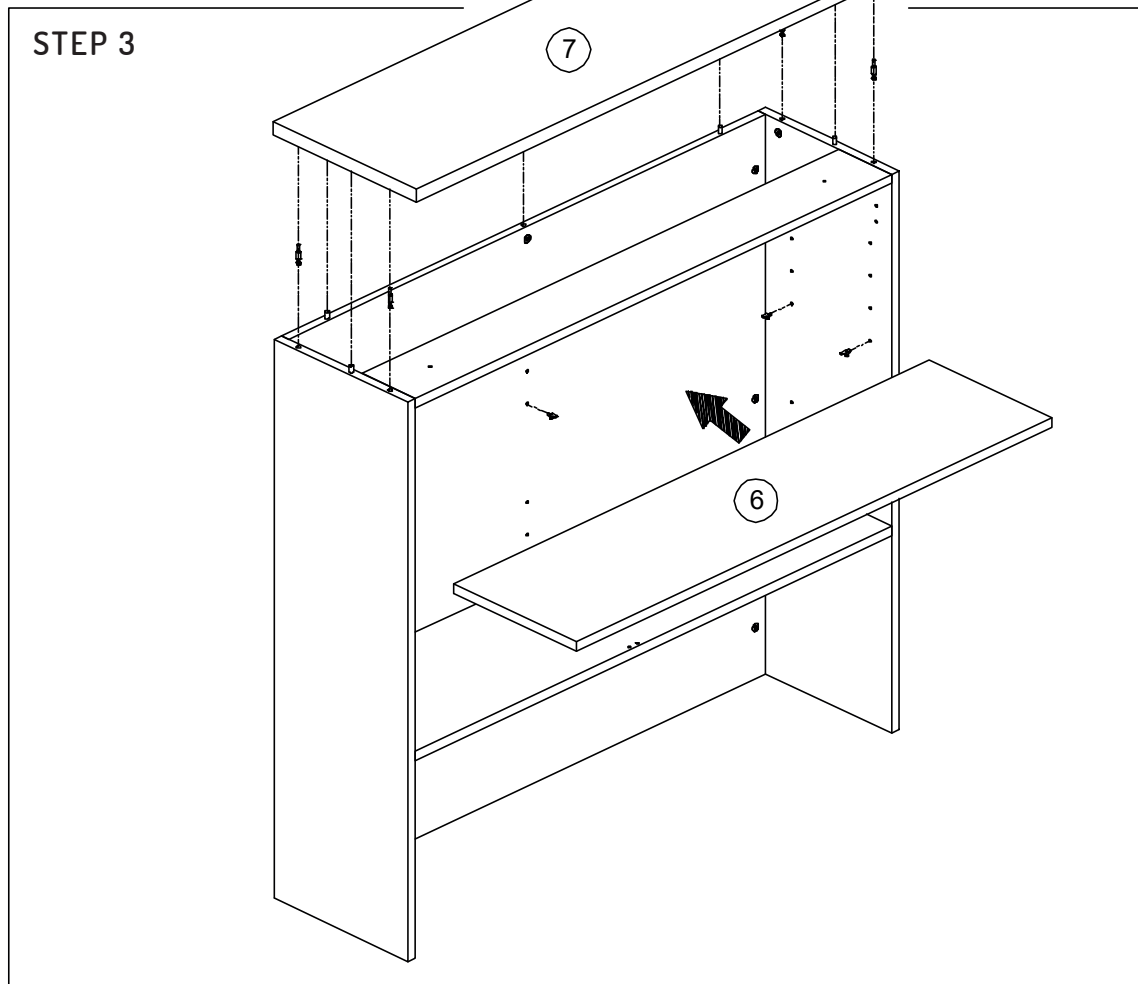
Size (mm): 800L x 350D x 1120H

www.jasonl.com.au

Need help!

Call us on
1300 527 665

jason.l
your office furniture mate



Assemble the adjustable shelf & straight slim worktops

ASSEMBLY INSTRUCTIONS

Closed Hutch

Size (mm): 800L x 350D x 1120H

www.jasonl.com.au

Need help!

Call us on
1300 527 665

jason.l
your office furniture mate



Assembly doors:

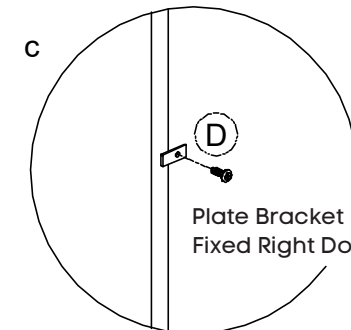
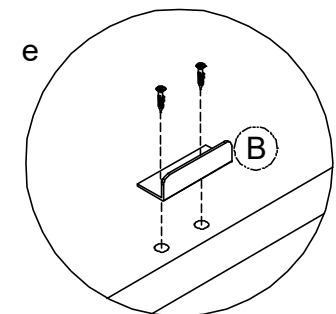
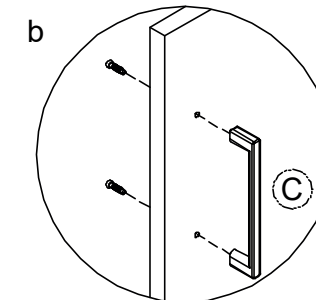
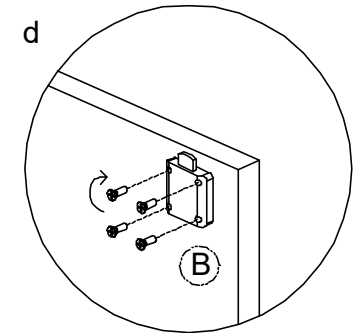
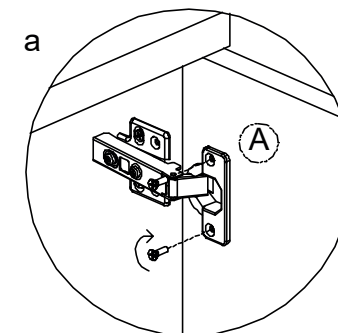
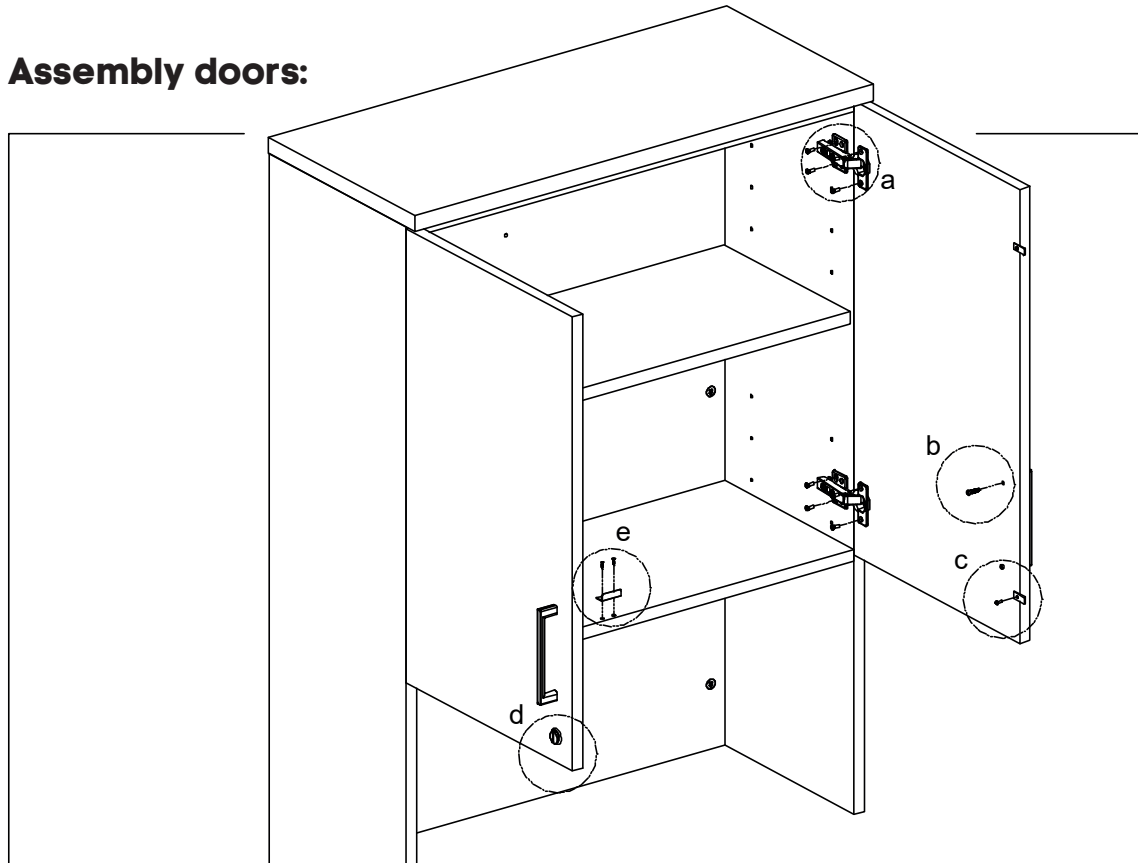
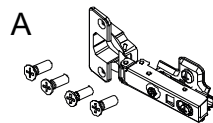
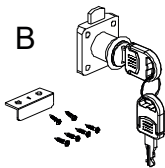


Plate Bracket
Fixed Right Door

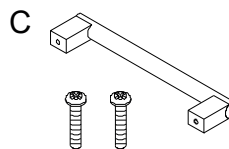
COMPONENTS



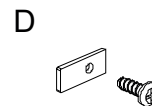
5/8 Soft Close Door
Hinge c/w Mounting
Plate And Screw 4 SETS



ACC-RIM-LOCK-648
BK-L-HUWIL-34X13X10 1 SET



HD-SPB04-128
2 PCS



BK-25X10X2 = 2PCS
S-PHS-#4x1/2 = 2PCS