

INSTALLATION GUIDE

Switch System Boardroom

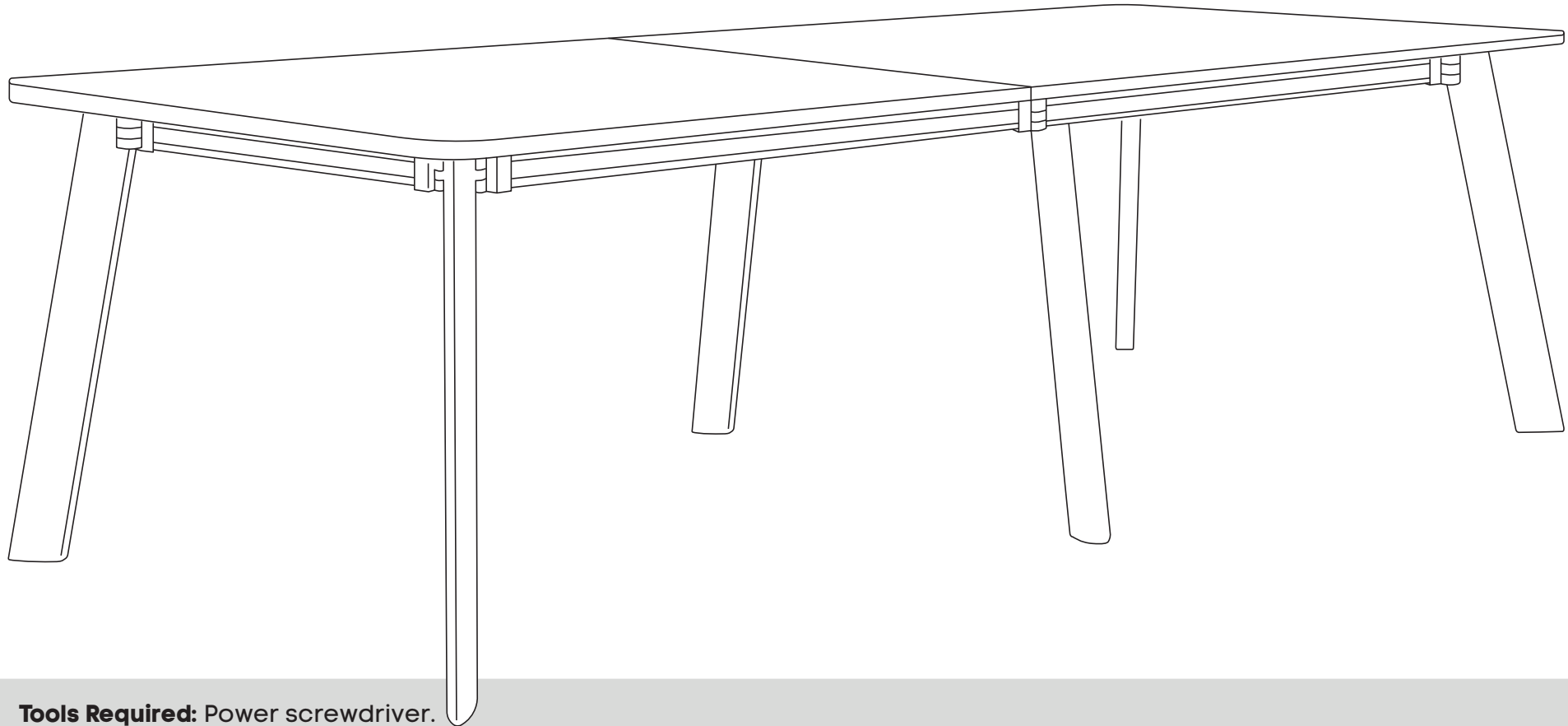
Size: 3200mm x 1100mm

www.jasonl.com.au

Need help!

Call us on
1300 527 665

jason.l
your office furniture mate



Tools Required: Power screwdriver.

Note: Please ignore any pre-drilled holes or nut inserts that maybe present in your top(s). They will not match your particular table/desk base and woods screws will be required to be screwed directly into the underside of the top.

Note: It is important to fully tighten all bolts and screws before attaching the top(s) so that the frame is sufficiently rigid. Failure to do this may affect stability once the tops are attached.

INSTALLATION GUIDE

Switch System Boardroom

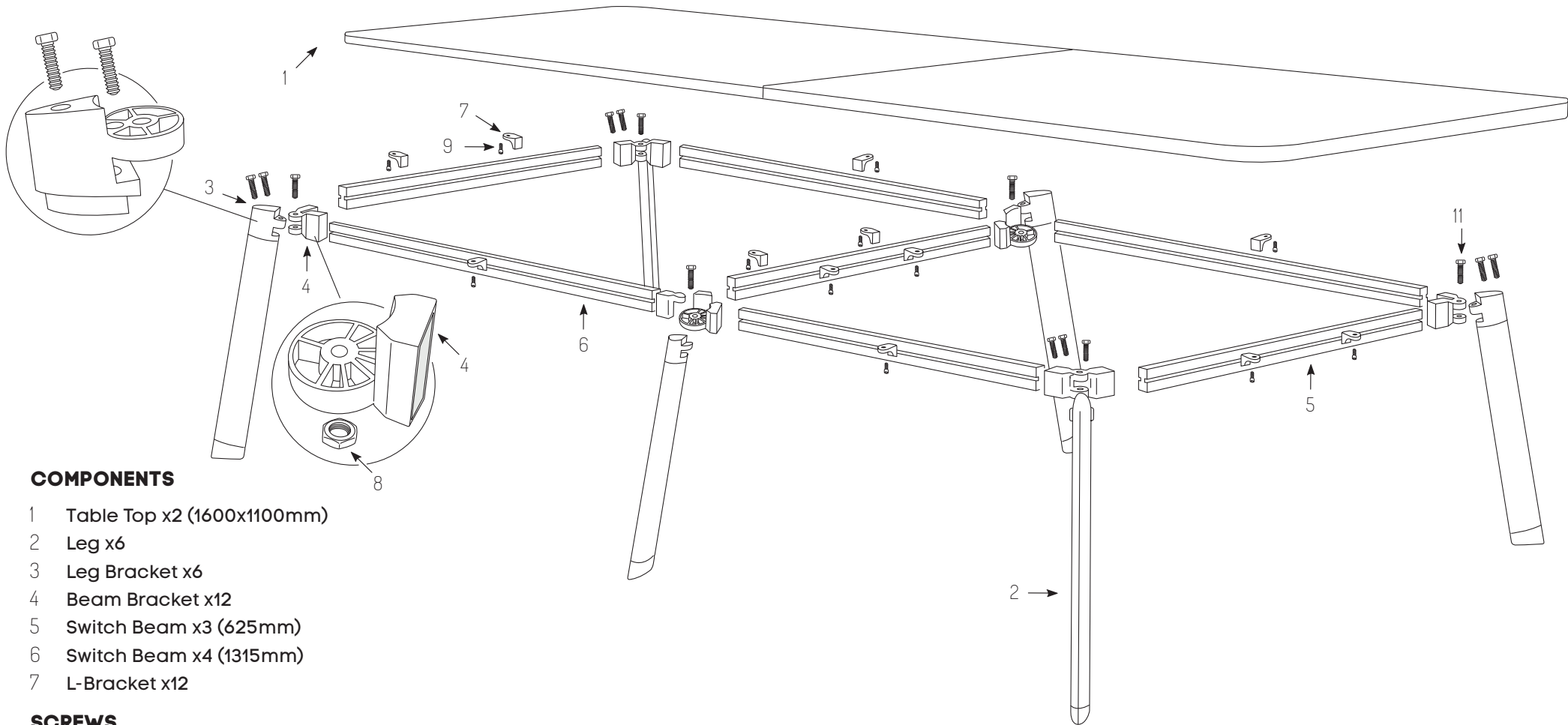
Size: 3200mm x 1100mm

www.jasonl.com.au

Need help!

Call us on
1300 527 665

jason.l
your office furniture mate



COMPONENTS

- 1 Table Top x2 (1600x1100mm)
- 2 Leg x6
- 3 Leg Bracket x6
- 4 Beam Bracket x12
- 5 Switch Beam x3 (625mm)
- 6 Switch Beam x4 (1315mm)
- 7 L-Bracket x12

SCREWS

- 8 Hex Nut x6
- 9 L-Bracket screws x12
- 10 Hex Head screws x12
- 11 M8x25mm Dome Head x6

INSTALLATION GUIDE

Switch System Boardroom

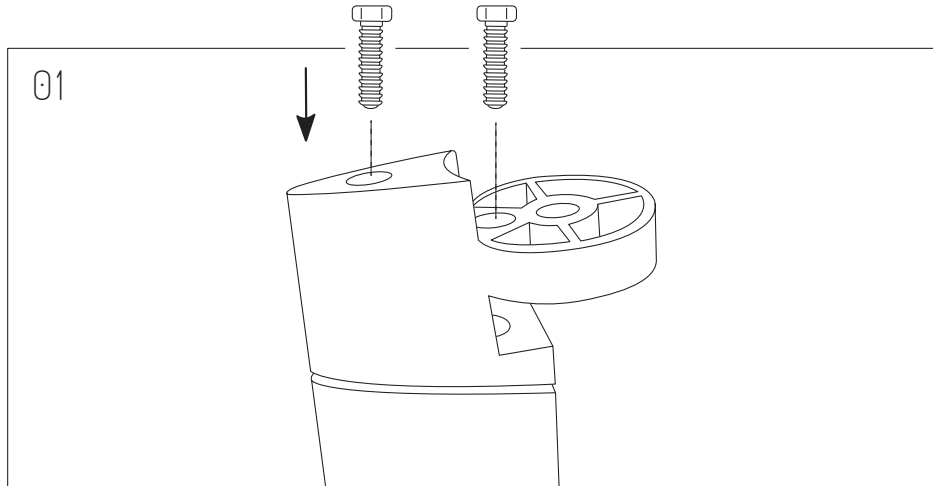
Size: 3200mm x 1100mm

www.jasonl.com.au

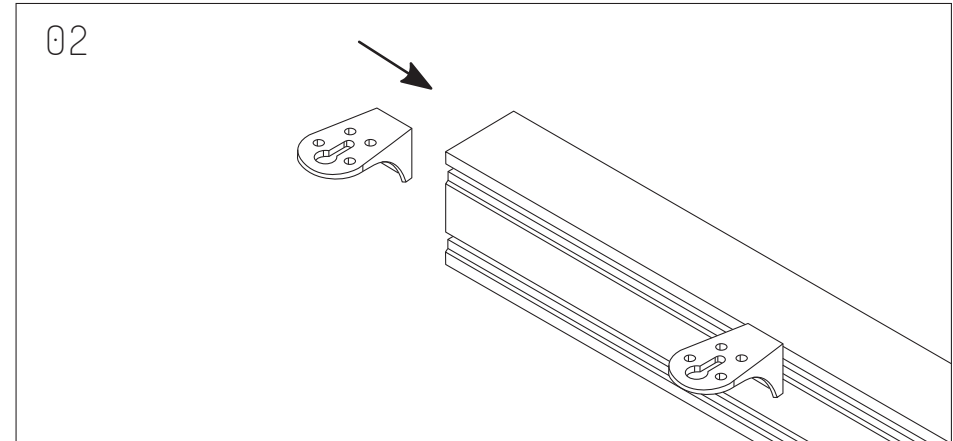
Need help!

Call us on
1300 527 665

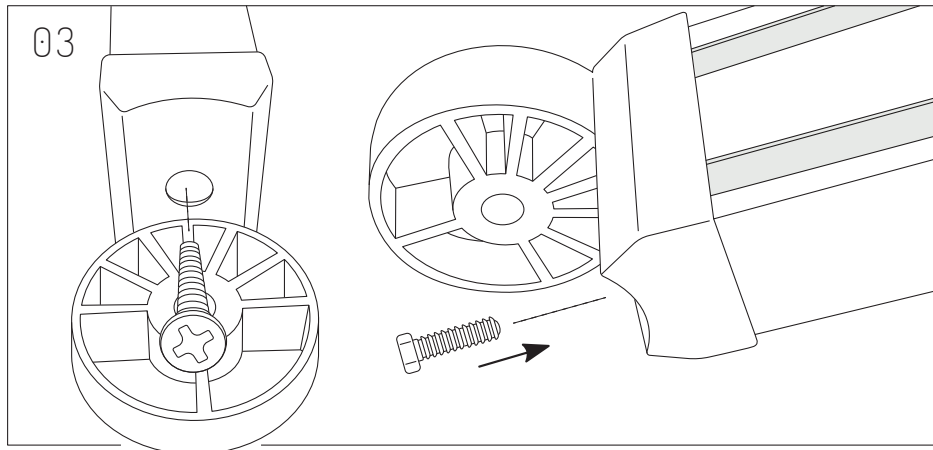
jason.l
your office furniture mate



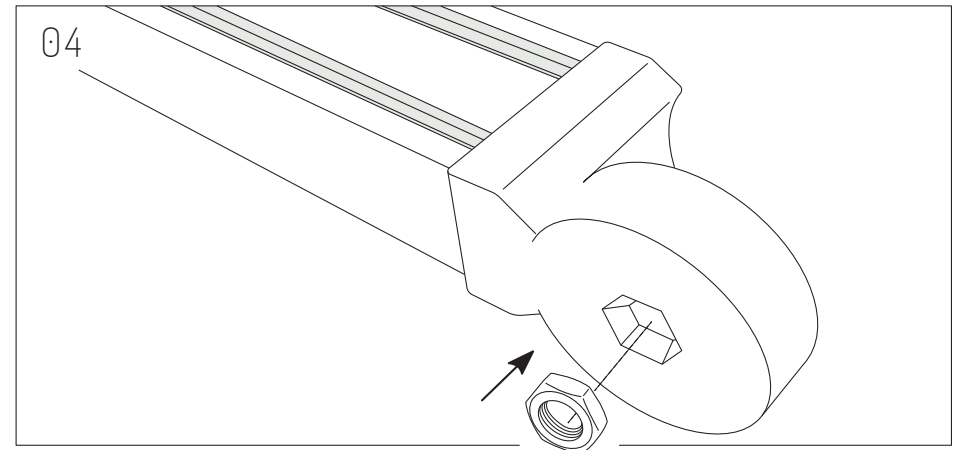
Join Leg Brackets to each Leg using screws to secure them, as follow.



Join 2 L-Bracket through each 625mm Beam and 1 L-Bracket through each 1315mm Beam



Securely connect each Beam to each Beam Bracket. Screw to secure.



Insert Hex Nut on each Beam Bracket.

INSTALLATION GUIDE

Switch System Boardroom

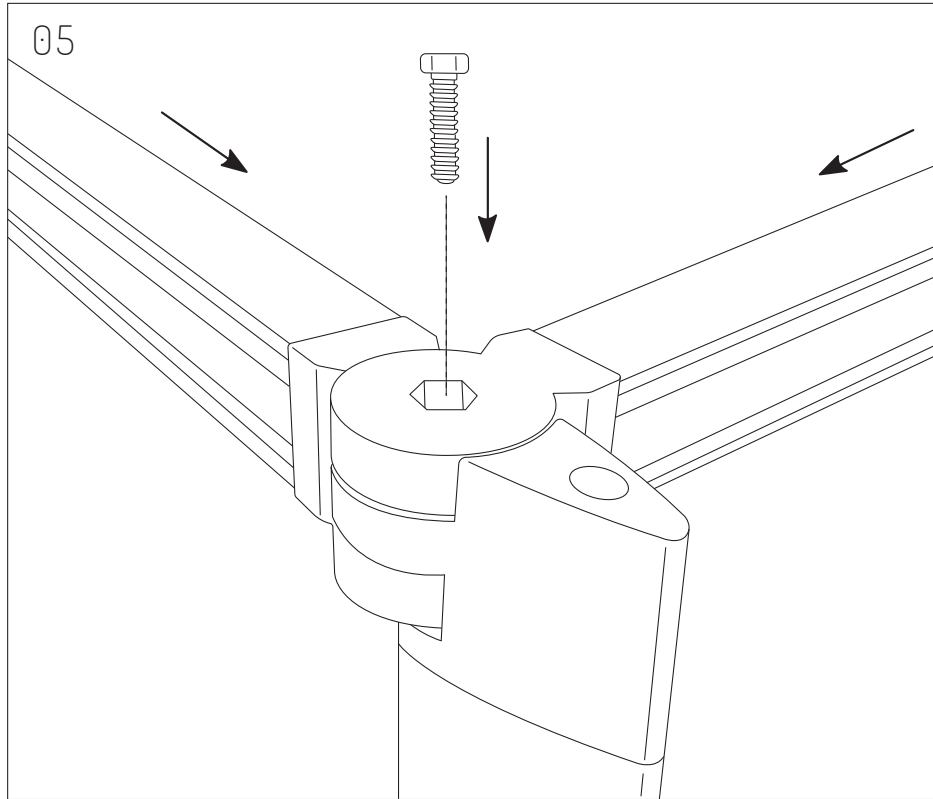
Size: 3200mm x 1100mm

www.jasonl.com.au

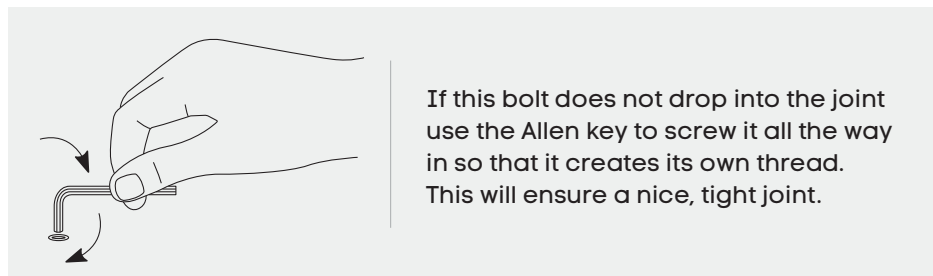
Need help!

Call us on
1300 527 665

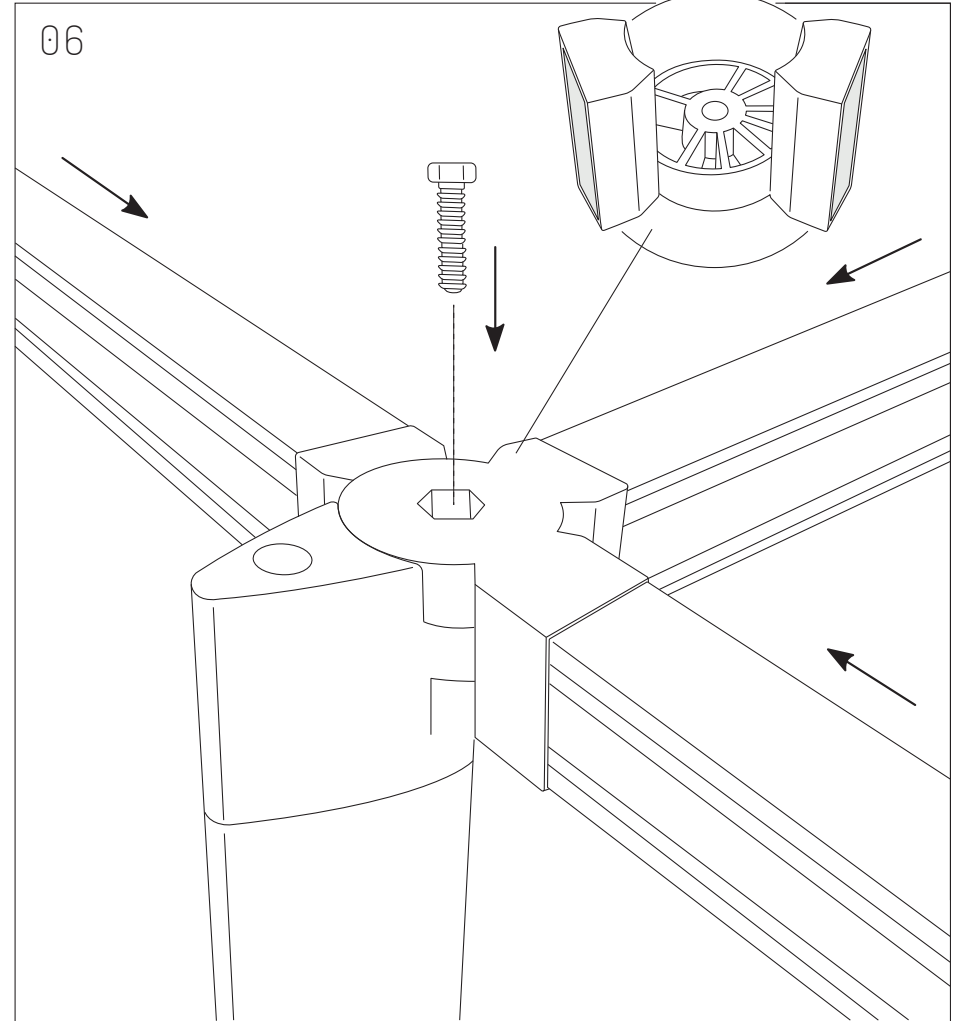
jason.l
your office furniture mate



Position as presented, and proceed to screw to ensure each corner of the frame.



If this bolt does not drop into the joint use the Allen key to screw it all the way in so that it creates its own thread. This will ensure a nice, tight joint.



For the 2 central legs, attach as presented, using T Beam Bracket.

INSTALLATION GUIDE

Switch System Boardroom

Size: 3200mm x 1100mm

www.jasonl.com.au

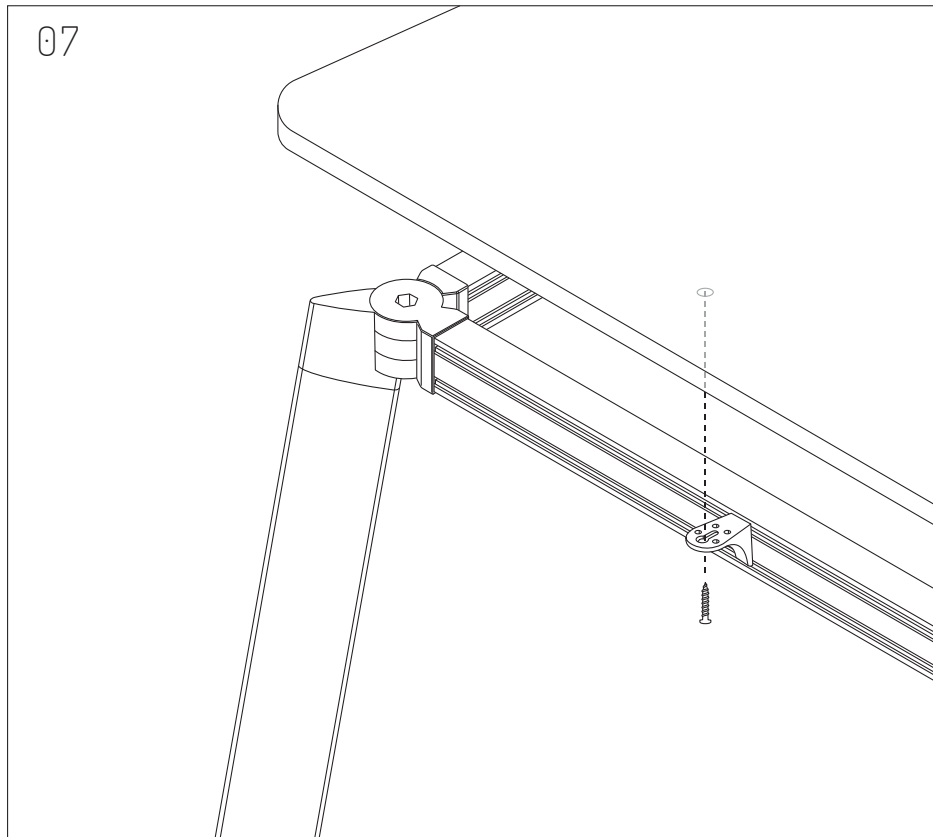
Need help!

Call us on
1300 527 665

jason.l
your office furniture mate



Note: It is important to fully tighten all bolts and screws before attaching the top(s) so that the frame is sufficiently rigid. Failure to do this may affect stability once the tops are attached.



Directly screw into table tops, using L-Bracket screws through each L-Bracket.