

ASSEMBLY INSTRUCTIONS

# Blackjack Executive Office Desk

[www.jasonl.com.au](http://www.jasonl.com.au)


**Need help!**  
Call us on  
**1300 527 665**

**jason.l**  
your office furniture mate



**Tools Required:** Power screwdriver.

**Special Note:** No pre-drilled holes or nut inserts are provided. Wood screws will be required to be drilled directly into underside of desk top.

 2 persons required for installation

## ASSEMBLY INSTRUCTIONS

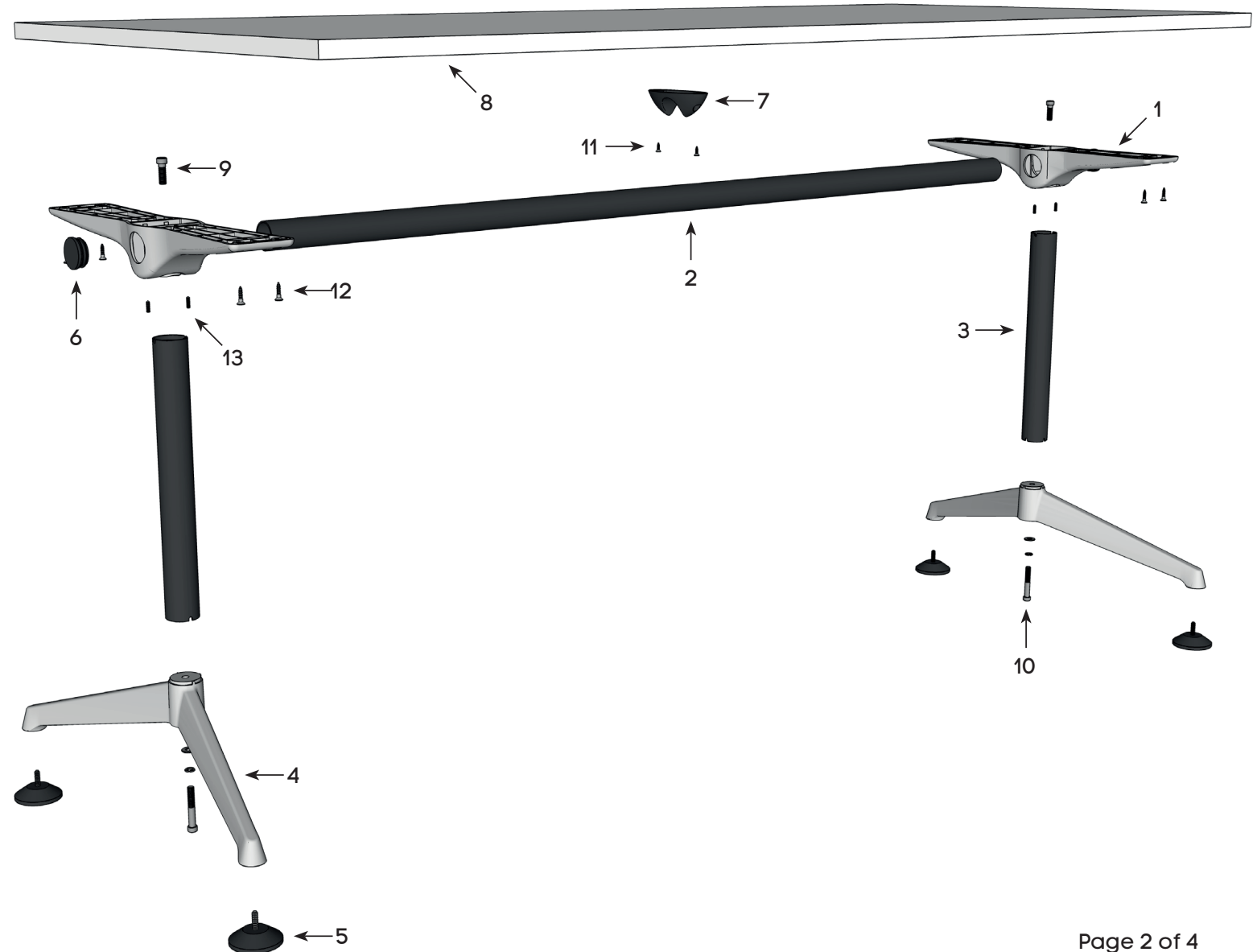
# Blackjack Executive Office Desk

[www.jasonl.com.au](http://www.jasonl.com.au)

**Need help!**

Call us on  
**1300 527 665**

**jason.l**  
your office furniture mate



### COMPONENTS

- 1 Upper Wrist x2
- 2 Top Rail x1
- 3 Leg Tube x2
- 4 Fixed Foot x2
- 5 Foot Glide x4
- 6 Top Rail Cap x2
- 7 Plastic Support x1
- 8 Table Top x1

### SCREWS

- 9 M10x30mm x2
- 10 M10x65mm x2
- 11 M4x20mm Self Tapping x2
- 12 M5x25mm Self Tapping x8
- 13 M8x16mm x4

## ASSEMBLY INSTRUCTIONS

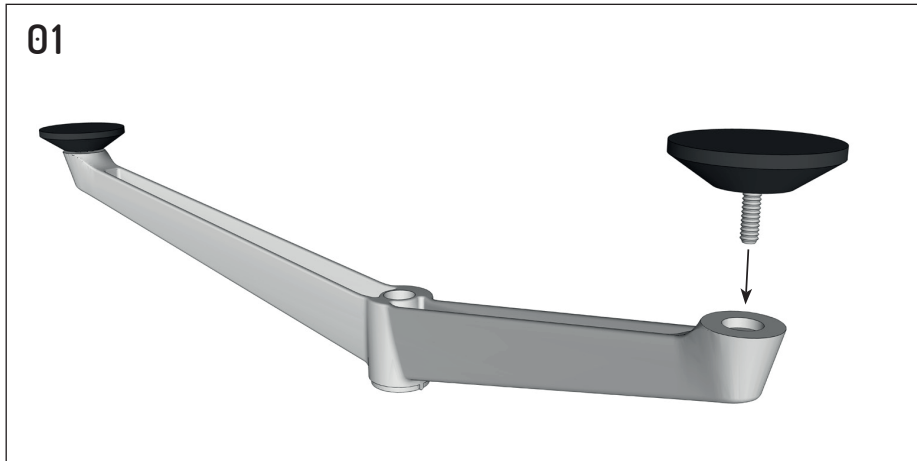
# Blackjack Executive Office Desk

[www.jasonl.com.au](http://www.jasonl.com.au)

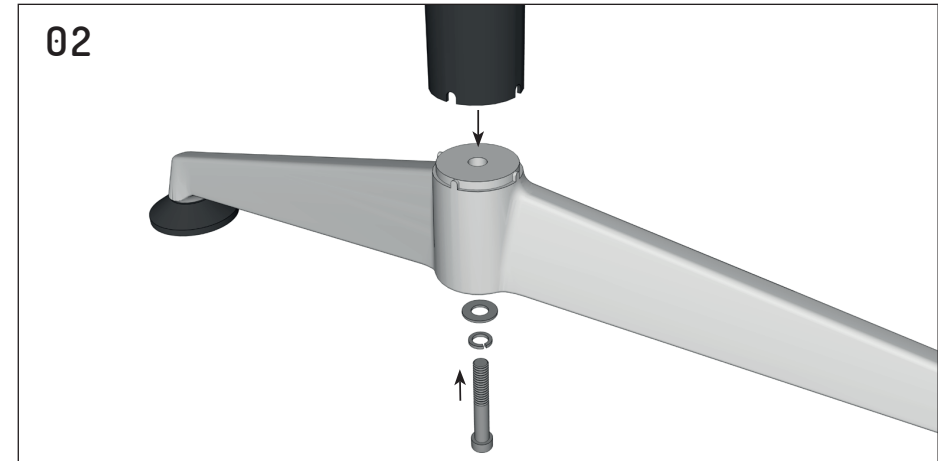
**Need help!**

Call us on  
**1300 527 665**

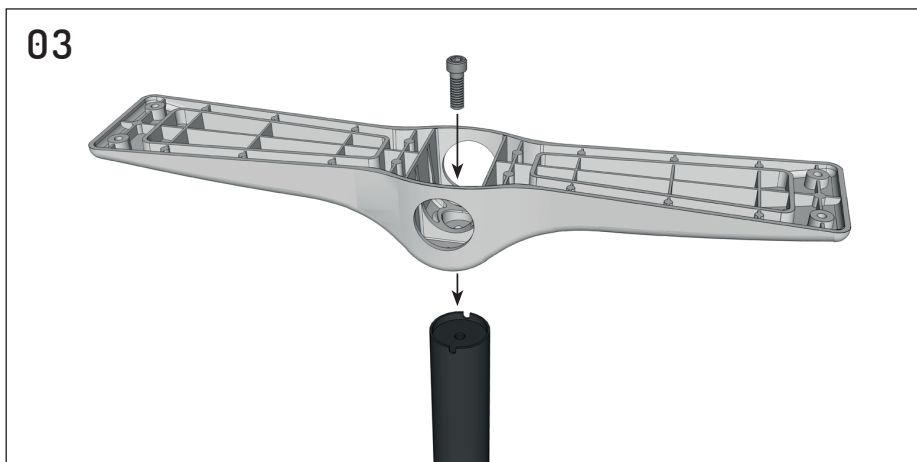
**jason.l**  
your office furniture mate



Screw the glides into the base of the fixed feet, leaving the glides one turn from tight (then they can be adjusted easily if the floor is uneven).



Place the leg tube on top of the fixed foot, making sure each small notch in the bottom of the leg tube is in-line with the bumps on the top of the fixed foot. Fully tighten to maximum tension the large M10x65mm bolts with spring and flat washer.



Place the upper wrist on top of the leg tube, making sure each small notch in the top of the leg tube is in-line with the bumps on the bottom of the upper wrist. Fully tighten to maximum tension the M10x30mm bolts.



With the legs assembled, place each end of the top rail into the holes on the side of the upper wrist, making sure they stop before going all the way through.

## ASSEMBLY INSTRUCTIONS

# Blackjack Executive Office Desk

[www.jasonl.com.au](http://www.jasonl.com.au)

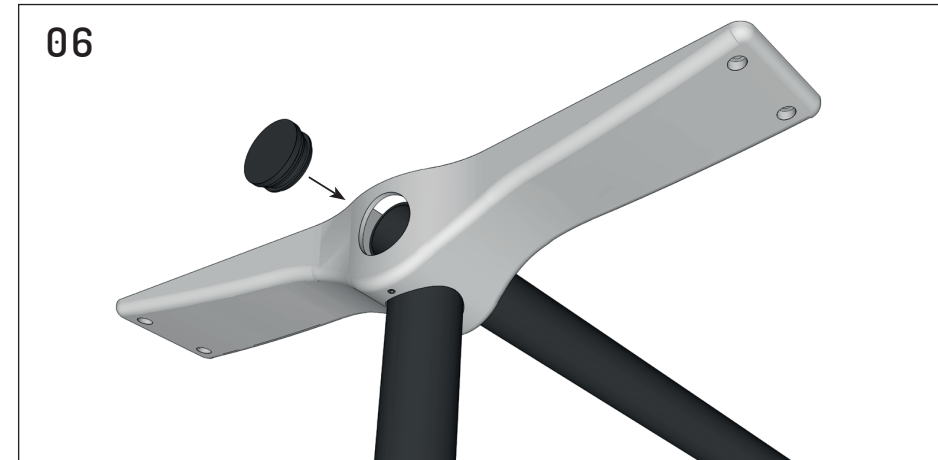
**Need help!**

Call us on  
**1300 527 665**

**jason.l**  
your office furniture mate



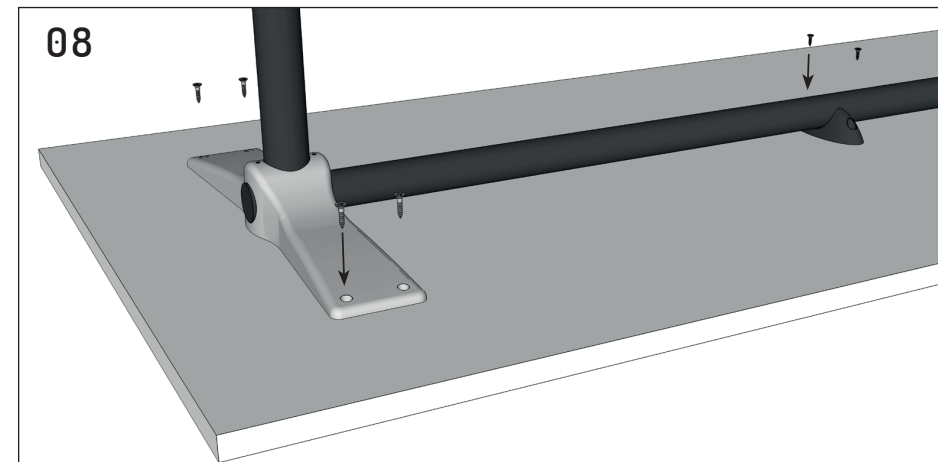
05 Fully tighten the small screws located at the bottom of each upper wrist to firmly hold the top rail in place.



06 Place the top rail cap into the exposed side of the upper wrist.



07 Locate the plastic support bracket over the centre of the top rail, and click into place.



08 With the frame assembly complete, locate it in the centre of the work surface and screw the remaining self tapping screws into each upper wrist and plastic support.