

ASSEMBLY INSTRUCTIONS

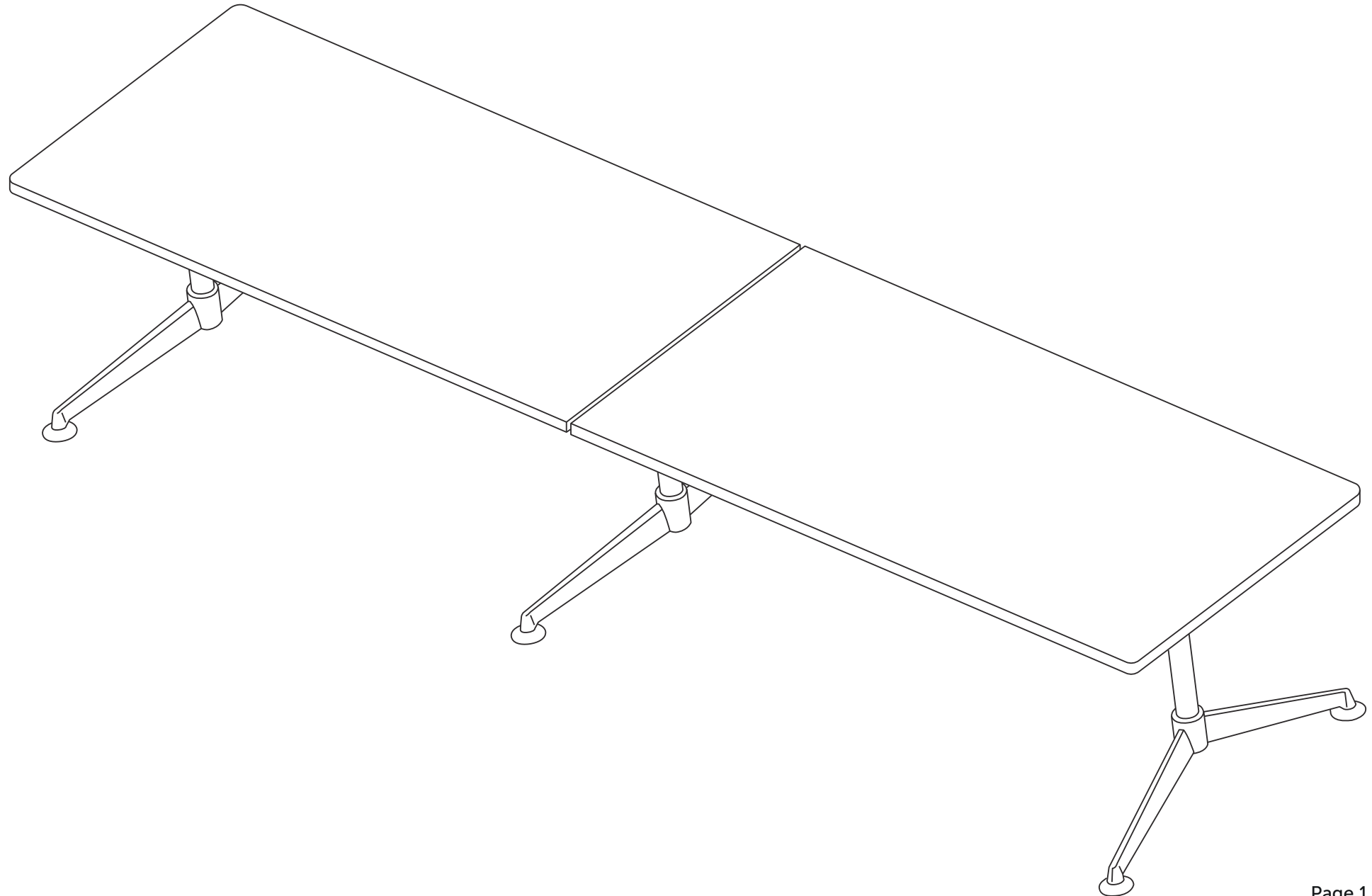
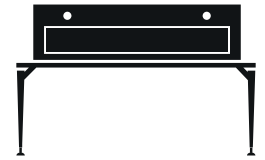
Blackjack premium Boardroom table

3200 x 1100 mm

www.jasonl.com.au

Need help!
Call us on
1300 527 665

jason.l
your office furniture mate

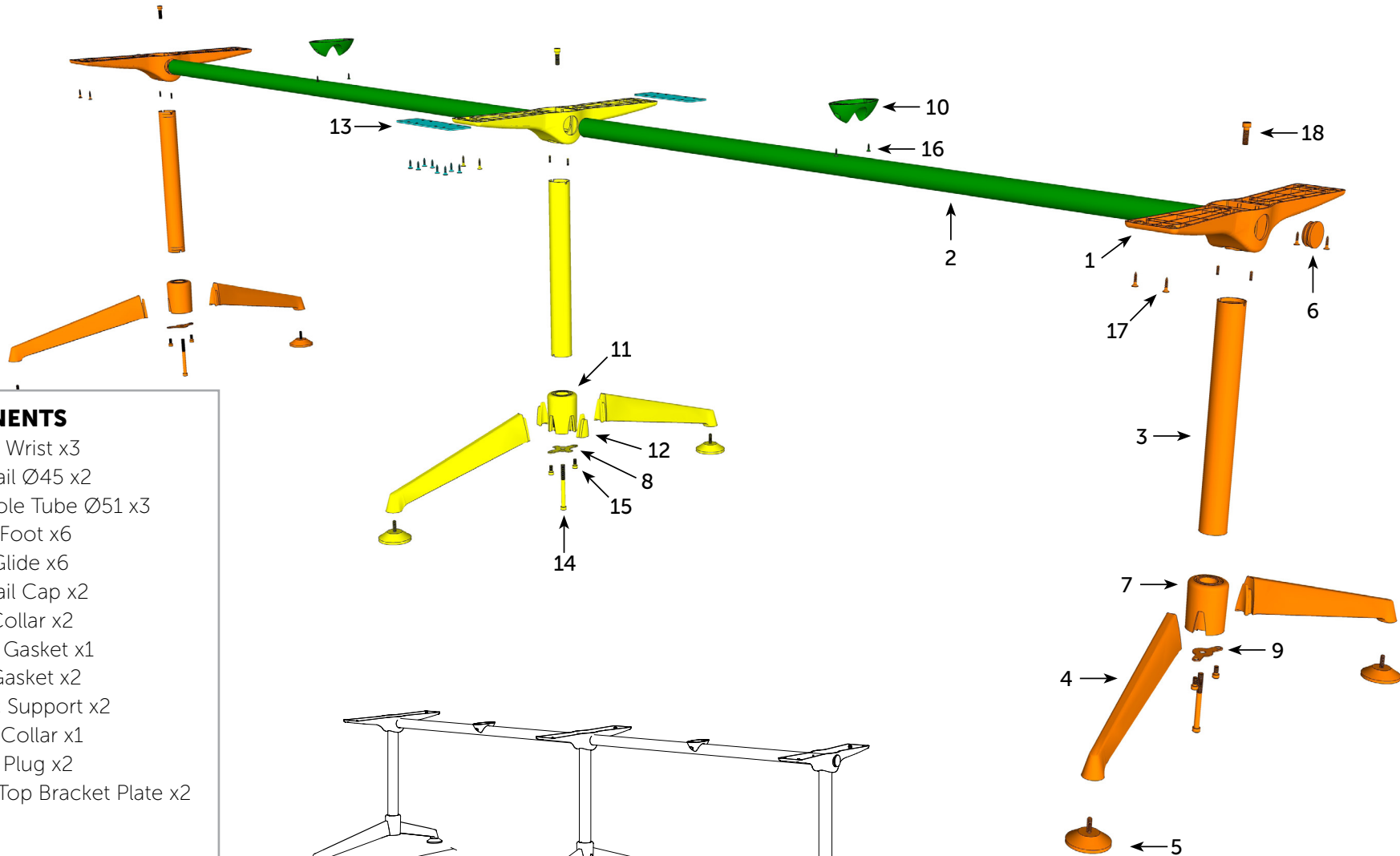
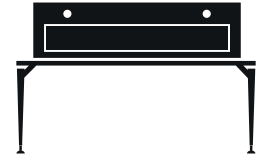


Blackjack premium Boardroom table

3200 x 1100 mm

Need help!
Call us on
1300 527 665

jason.l
your office furniture mate

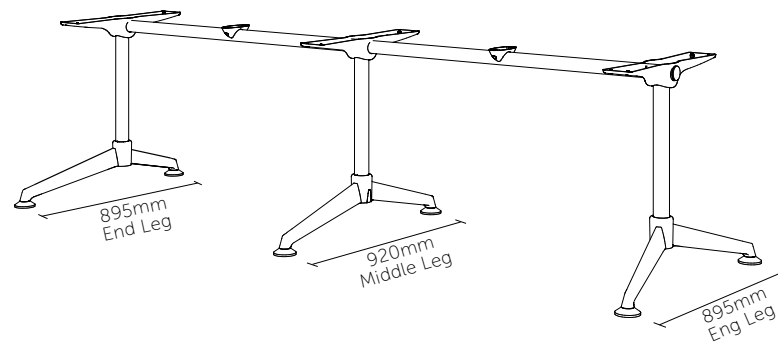


COMPONENTS

- 1 Upper Wrist x3
- 2 Top Rail Ø45 x2
- 3 Leg-pole Tube Ø51 x3
- 4 Large Foot x6
- 5 Foot Glide x6
- 6 Top Rail Cap x2
- 7 150° Collar x2
- 8 Minus Gasket x1
- 9 150° Gasket x2
- 10 Plastic Support x2
- 11 Cross Collar x1
- 12 Collar Plug x2
- 13 Table Top Bracket Plate x2

SCREWS

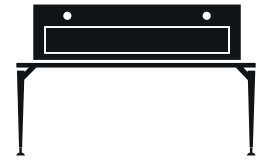
- 14 M10x110mm x3
- 15 M8x16mm x6
- 16 M5x20mm Self Tapping
- 17 M5x30mm Self Tapping
- 18 M10x30mm x3



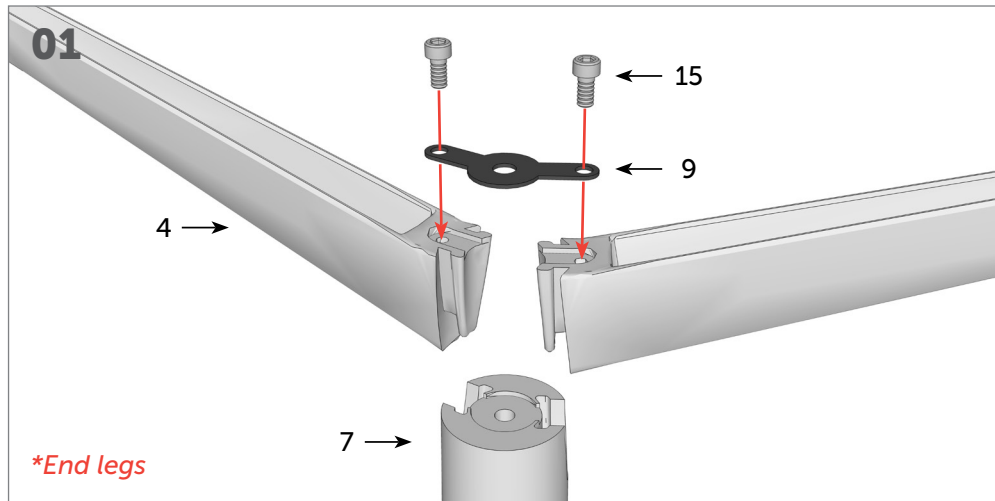
Blackjack premium Boardroom table

Need help!
Call us on
1300 527 665

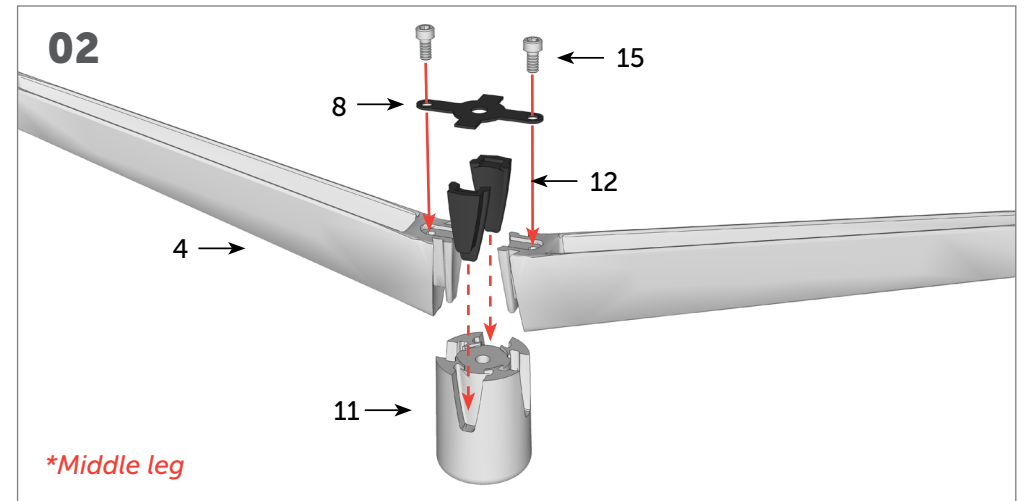
jason.l
your office furniture mate



3200 x 1100 mm



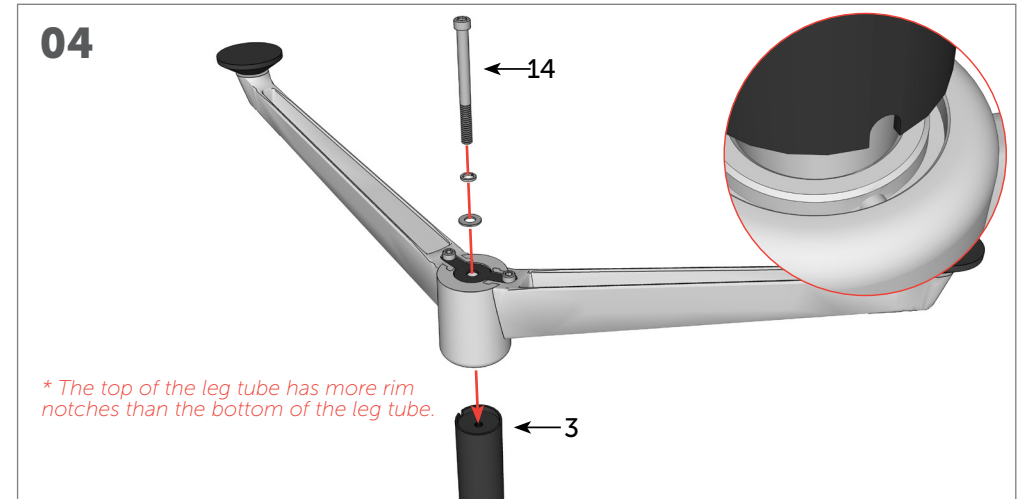
Slide 2 large feet⁴ into the 150° collar, place the 150° gasket⁹ on top and fully tighten the 2 M8x16mm bolts¹⁵ into the collar⁷. (Repeat for the other end leg.)



Slide 2 large feet⁴ & collar plugs¹² into the cross collar¹¹, place the minus gasket⁸ on top and fully tighten the two M8x16mm bolts¹⁵ into the collar.



Screw all glides⁵ into the base of the large feet, leaving the glides one turn from tight (then they can be adjusted easily if the floor is uneven).



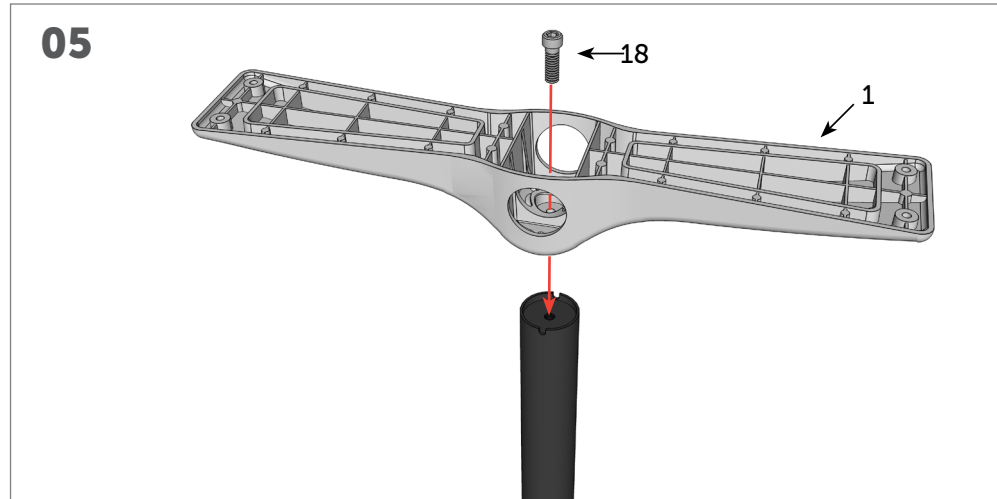
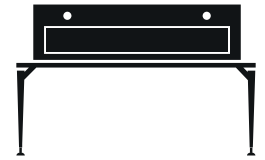
Place a leg pole tube³ on top of a collar. Align the notch. Fully tighten the M10x110 bolt¹⁴, spring washer and flat washer through the collars. Repeat for all leg assemblies.

Blackjack premium Boardroom table

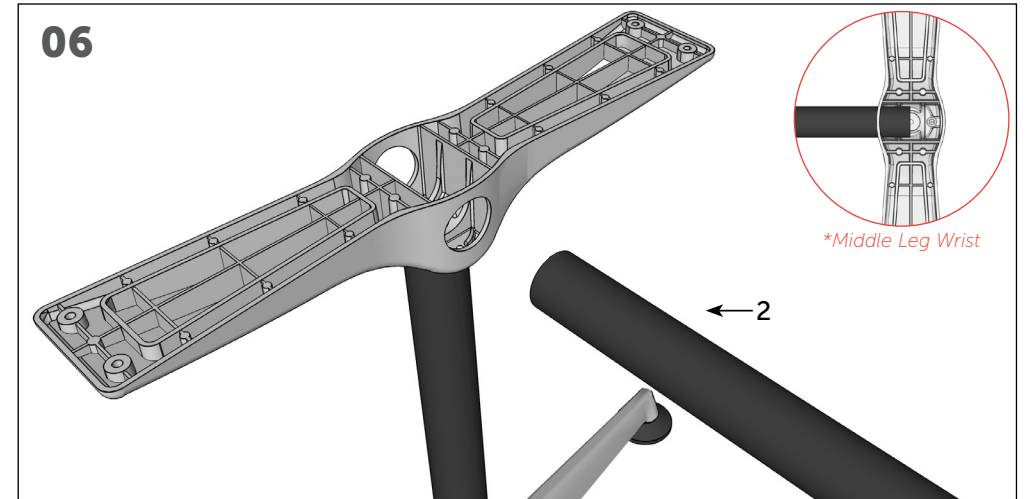
3200 x 1100 mm

Need help!
Call us on
1300 527 665

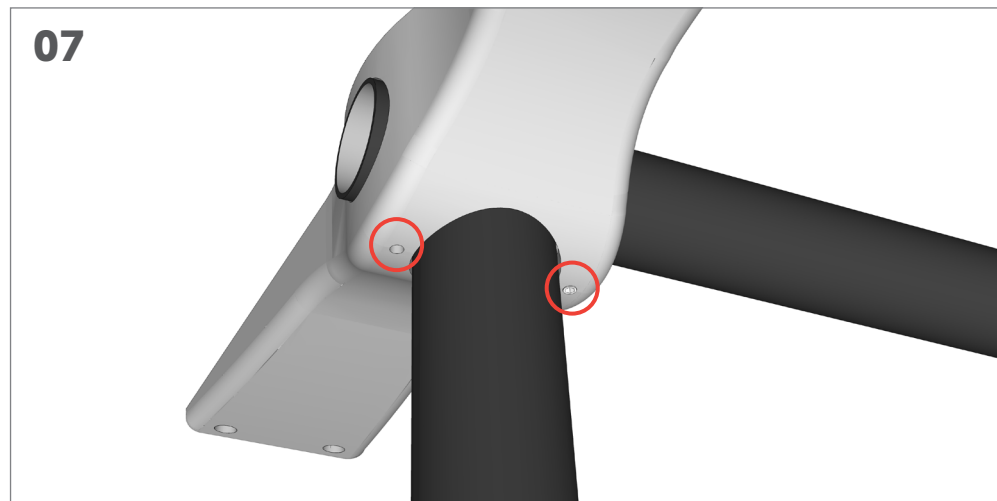
jason.l
your office furniture mate



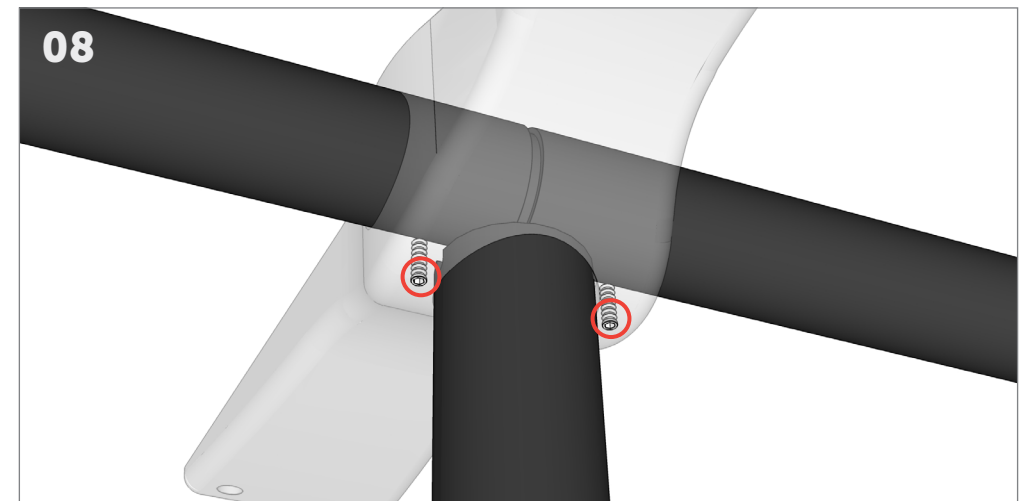
Place the upper wrist¹ on top of the leg tube, making sure each small notch in the top of the leg tube is in-line with the bumps on the bottom of the upper wrist. Fully tighten to maximum tension the M10x30mm bolts¹⁸. Repeat for all leg assemblies.



Choose the centre leg & one of the end legs, place each end of the top rail² into the holes on the side of the upper wrists, pass the top rail completely through the end leg wrist. But stop the top rail at 1/2 way point inside the middle leg wrist. (See detail above)



Fully tighten the small screws located at the bottom of each of the end wrists to firmly hold the top rail in place. (It is permissible in some applications for top rail to protrude out further past the wrist.)



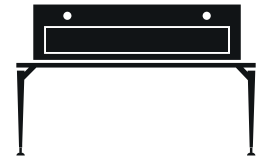
Repeat previous steps 6&7. Butt the two top rails together in the centre of middle wrist and tighten all small screws.

Blackjack premium Boardroom table

3200 x 1100 mm

Need help!
Call us on
1300 527 665

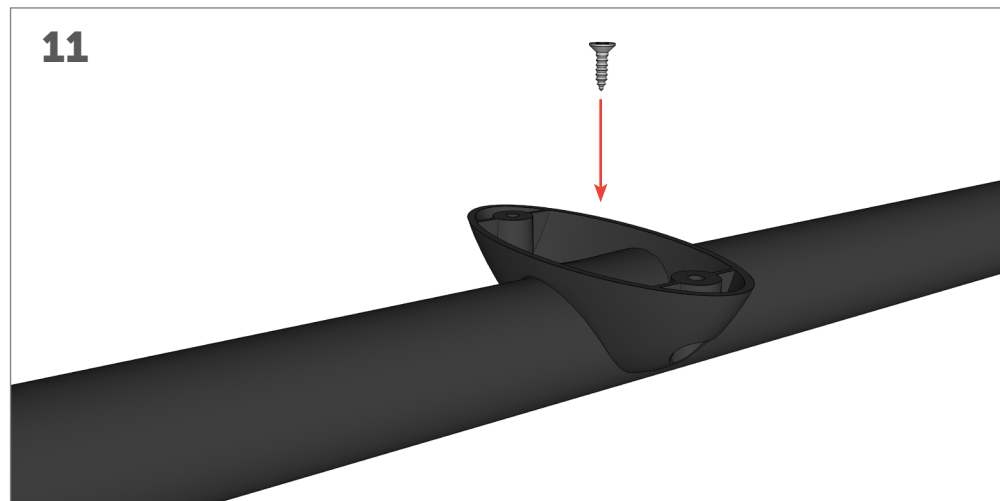
jason.l
your office furniture mate



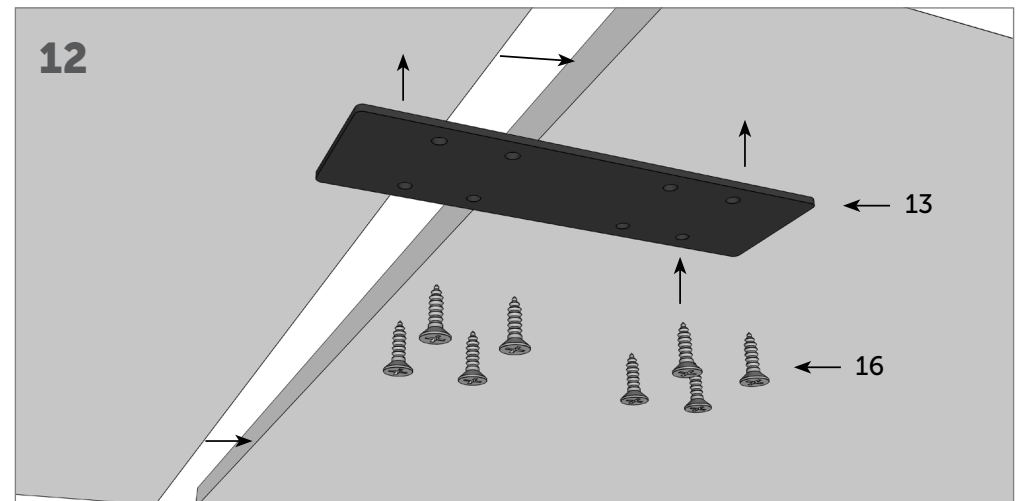
Place the top rail cap⁶ into the exposed end of the top rails.



Locate the plastic support bracket¹⁰ over the centre of both top rails, and click into place.



Optional: For extra strength, the plastic support bracket can be screwed onto both top rails.

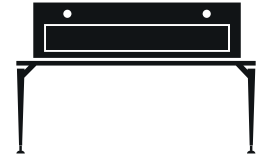


For multi piece worksurfaces, use the table top bracket plates¹³, and M5x20mm screws¹⁶ to join the worksurfaces together as one solid piece. This sh with the worksurface sitting on the frame in its final position.

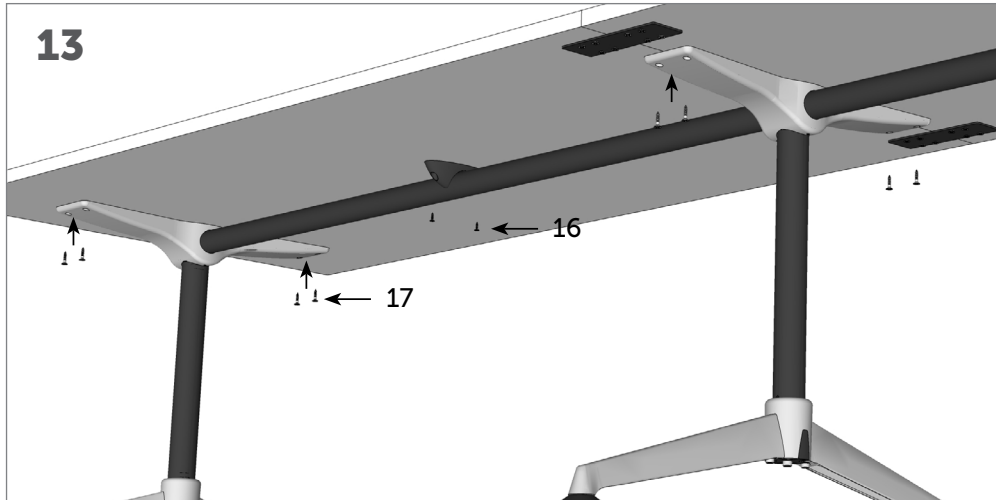
Blackjack premium Boardroom table

Need help!
Call us on
1300 527 665

jason.l
your office furniture mate



3200 x 1100 mm



Fully tighten all M5x30mm screws¹⁷ through each upper wrist into the work surface.
Fully tighten all M5x20mm¹⁶ screws through each plastic support into the work surface.

