

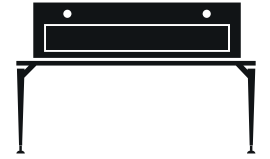
ASSEMBLY INSTRUCTIONS

www.jasonl.com.au

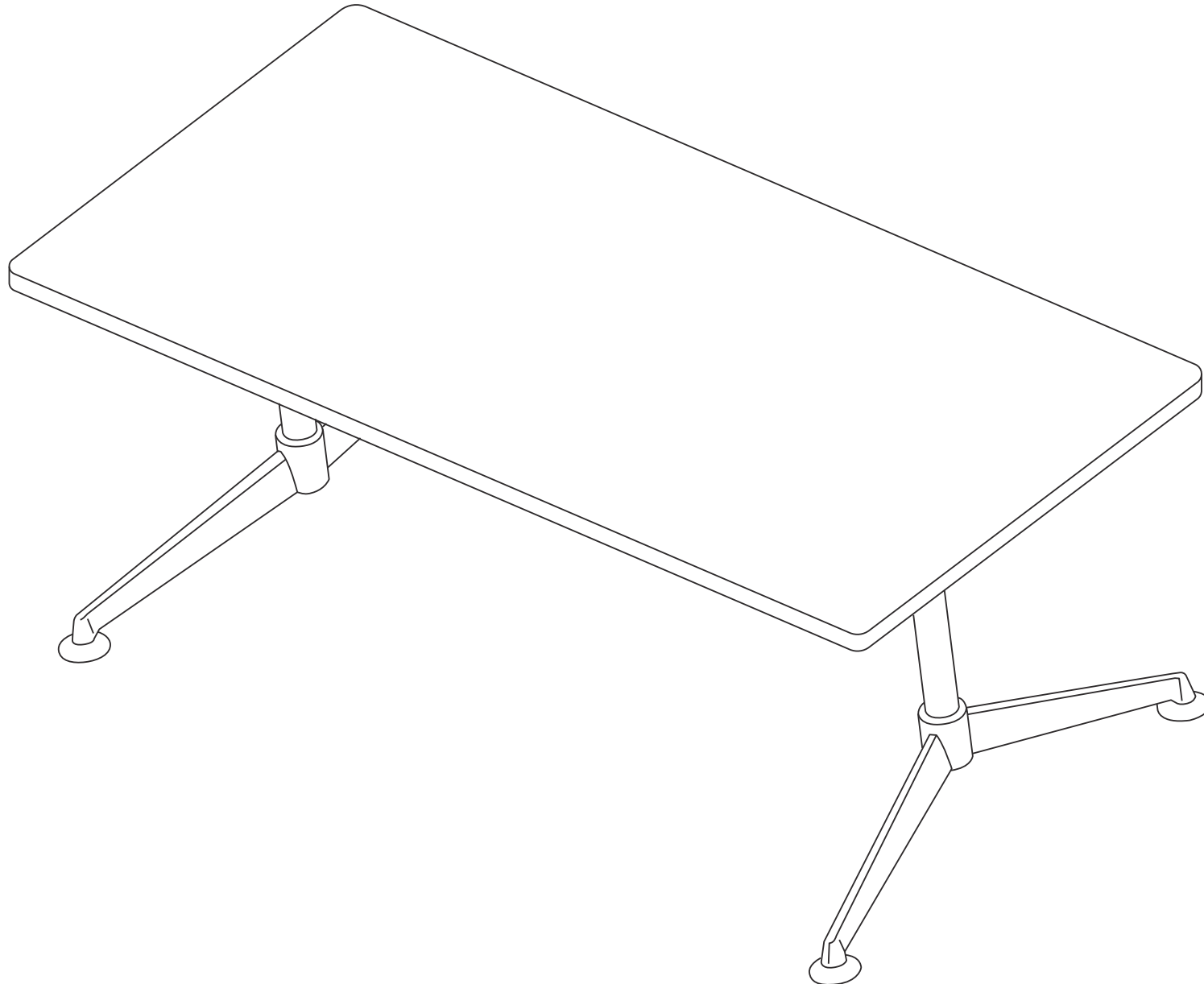
Blackjack premium Boardroom table

Need help!
Call us on
1300 527 665

jason.l
your office furniture mate



1800 x 1100 mm

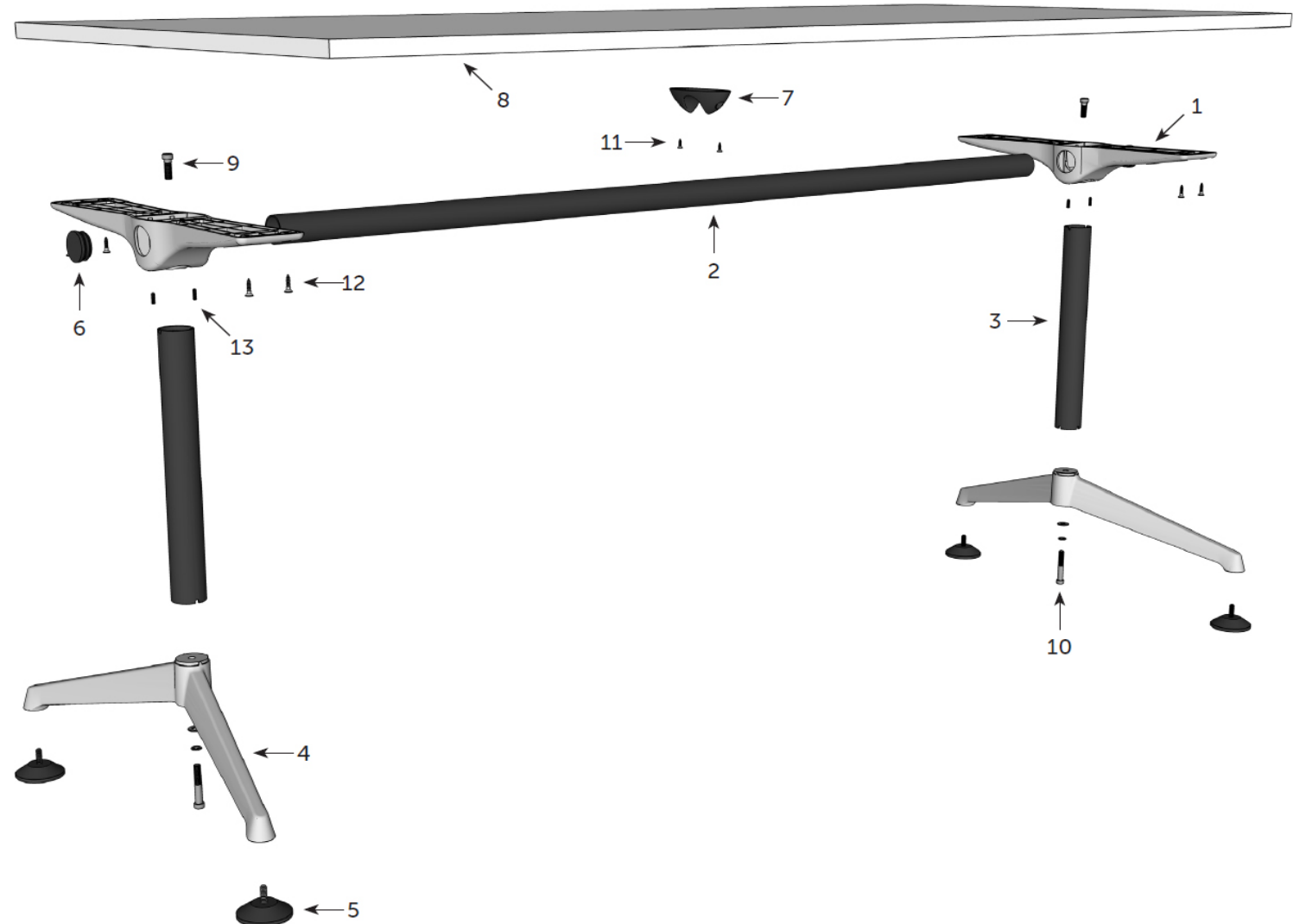


Blackjack premium Boardroom table

1800 x 1100 mm

Need help!
Call us on
1300 527 665

jason.l
your office furniture mate



COMPONENTS

- 1 Upper Wrist x2
- 2 Top Rail x1
- 3 Leg Tube x2
- 4 Fixed Foot x2
- 5 Foot Glide x4
- 6 Top Rail Cap x2
- 7 Plastic Support x1
- 8 Table Top x1

SCREWS

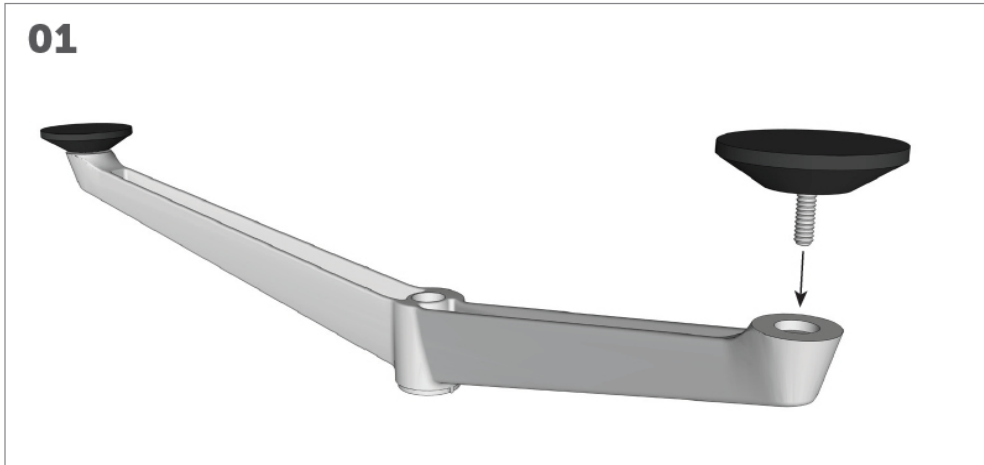
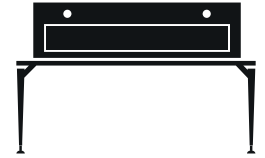
- 9 M10x30mm x2
- 10 M10x65mm x2
- 11 M4x20mm Self Tapping x2
- 12 M5x25mm Self Tapping x8
- 13 M8x16mm x4

Blackjack premium Boardroom table

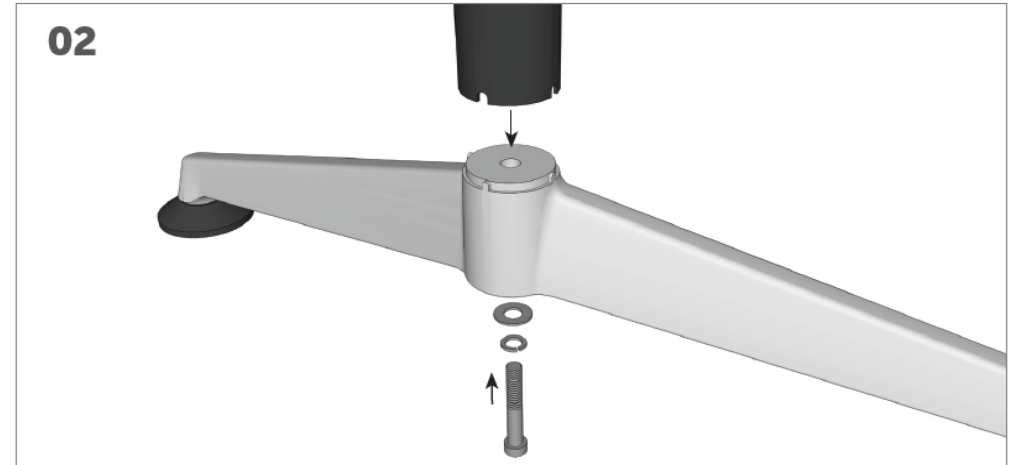
1800 x 1100 mm

Need help!
Call us on
1300 527 665

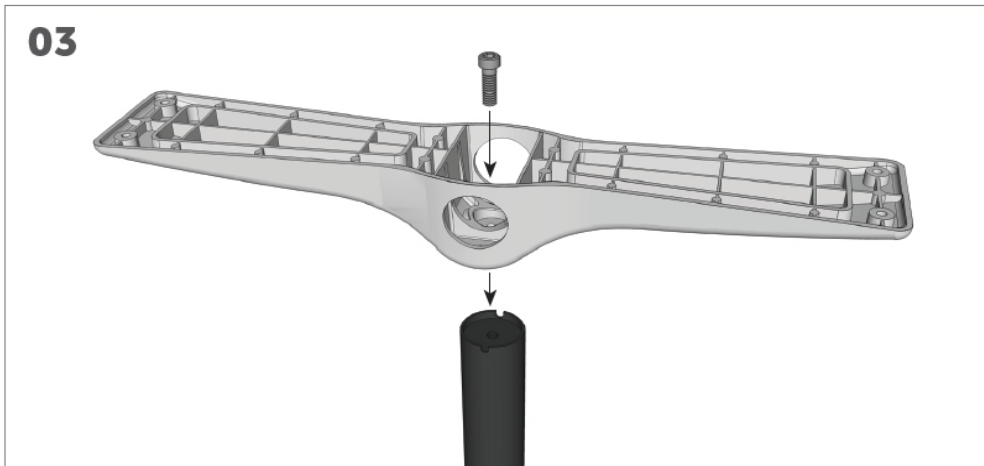
jason.l
your office furniture mate



01
Screw the glides into the base of the fixed feet, leaving the glides one turn from tight (then they can be adjusted easily if the floor is uneven).



02
Place the leg tube on top of the fixed foot, making sure each small notch in the bottom of the leg tube is in-line with the bumps on the top of the fixed foot. Fully tighten to maximum tension the large M10x65mm bolts with spring and flat washer.



03
Place the upper wrist on top of the leg tube, making sure each small notch in the top of the leg tube is in-line with the bumps on the bottom of the upper wrist. Fully tighten to maximum tension the M10x30mm bolts.

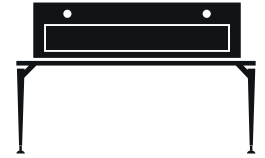


04
With the legs assembled, place each end of the top rail into the holes on the side of the upper wrist, making sure they stop before going all the way through.

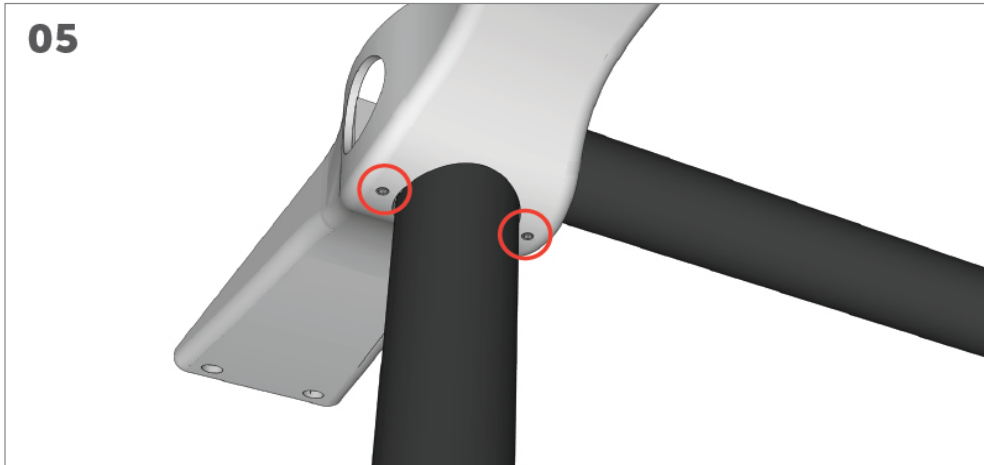
Blackjack premium Boardroom table

Need help!
Call us on
1300 527 665

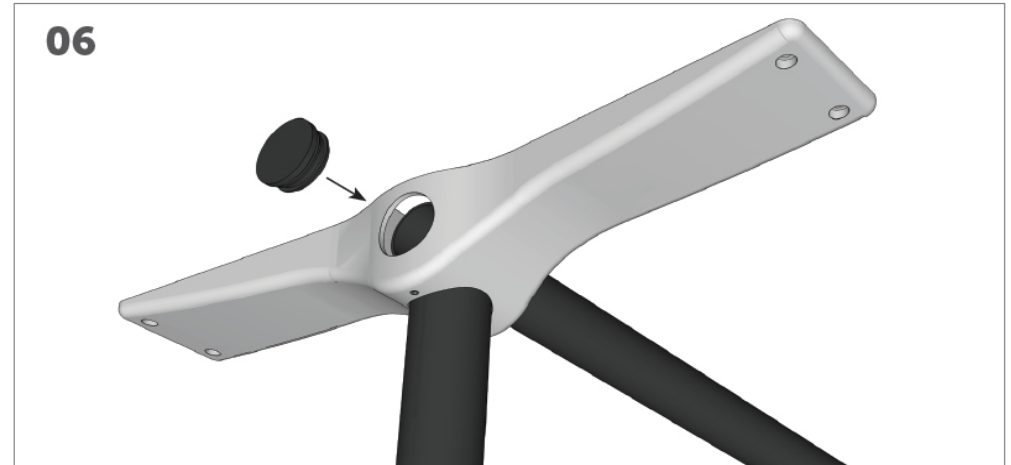
jason.l
your office furniture mate



1800 x 1100 mm



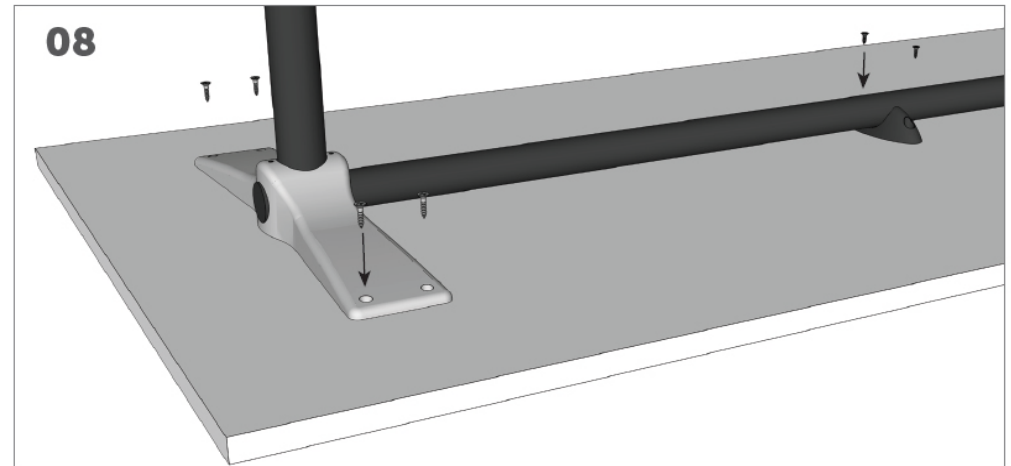
05
Fully tighten the small screws located at the bottom of each upper wrist to firmly hold the top rail in place.



06
Place the top rail cap into the exposed side of the upper wrist.



07
Locate the plastic support bracket over the centre of the top rail, and click into place.



08
With the frame assembly complete, locate it in the centre of the work surface and screw the remaining self tapping screws into each upper wrist and plastic support.

ASSEMBLY INSTRUCTIONS

Blackjack premium Boardroom table

1800 x 1100 mm

www.jasonl.com.au

Need help!
Call us on
1300 527 665

jason.l
your office furniture mate

