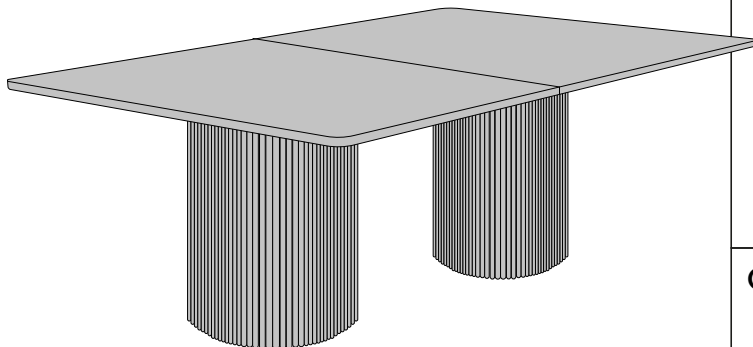


Baobab Wooden Rectangular Table Medium Base (715H)

jason.l

3200 W X 1100 D



Tools Required: Power screwdriver. We strongly recommend using an impact drill gun together with thread locking all screws.



Note: Please ignore any pre-drilled holes or nut inserts that maybe present in your top(s). They will not match your particular table/desk base and woods screws will be required to be screwed directly into the underside of the top.

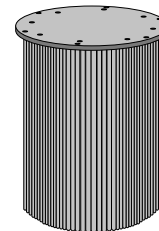


Note: It is important to fully tighten all bolts and screws before attaching the top(s), so that the frame is sufficiently rigid. Failure to do this may affect stability once the tops are attached.

A*1 Not included: Table top come separately (size and shape varies)



B*2



C*6x30mm



D*12



Need help!

Call us on **1300 527 665**

www.jasonl.com.au

1 of 2

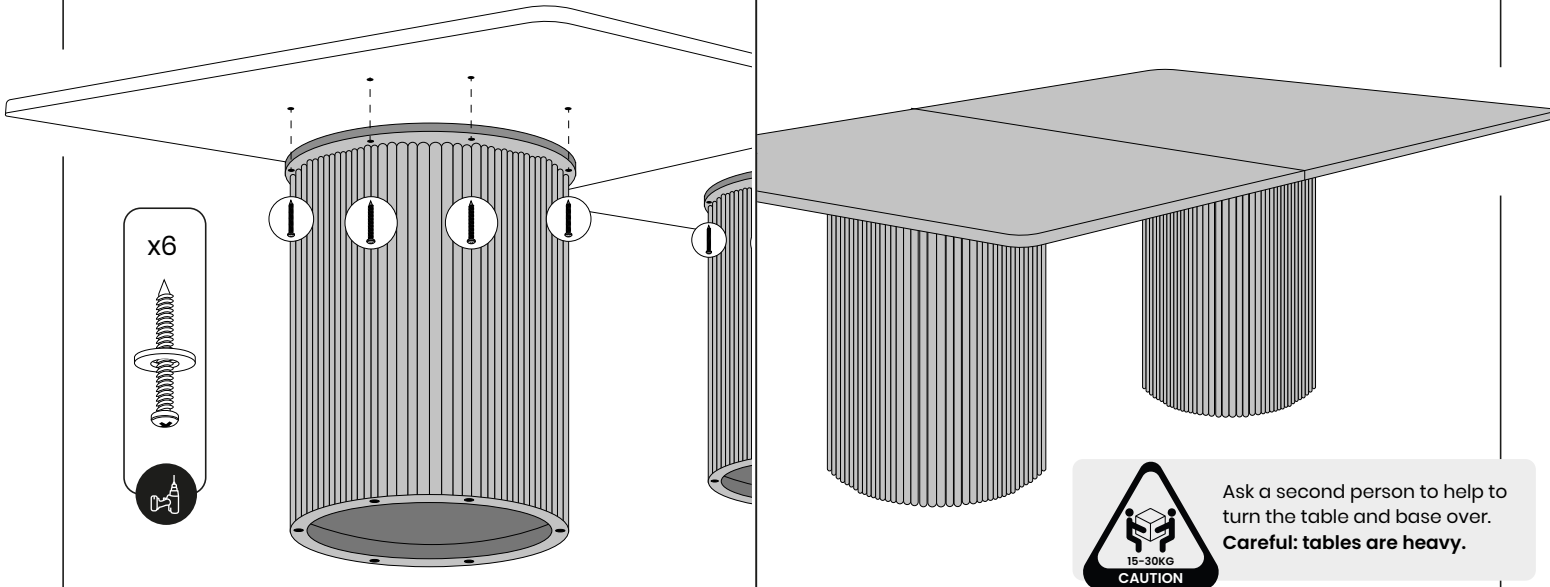
Baobab Wooden Squared Table Medium Base (715H)

jason.l

3200 W X 1100 D

1. Please drill the screws from the bottom to the underneath top instead of assembling from top to bottom. Please tighten with screw and washer with power drill tools.

2. Combine tables and adjust the leveler according to the floor.

**Need help!**Call us on **1300 527 665**www.jasonl.com.au

2 of 2