

Actiflex II Single Monitor Arm



Desk pole mount articulating single monitor arm with cable management and height adjustment

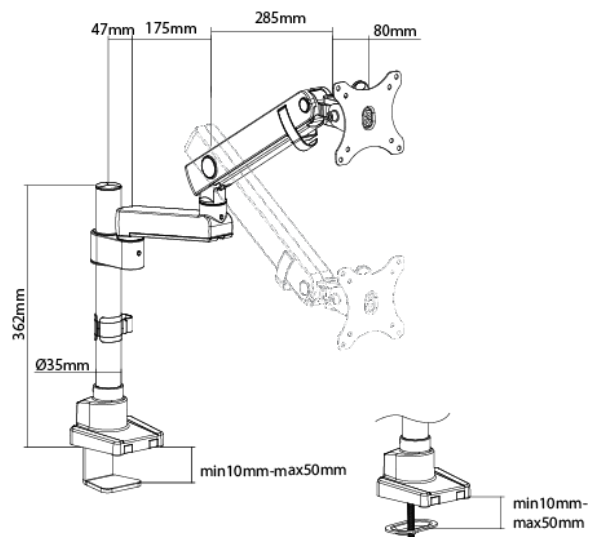
Capabilities

- Compatible screen sizes = up to 32"
- Height range = 110mm – 600mm (centre VESA)
- Pole Height = 305mm
- Pole Diameter = 34mm
- Horizontal reach range = 0 – 580mm (centre VESA)
- Monitor compatibility = VESA 75mm and 100mm
- Monitor weight = 0-8kg per monitor
- Minor assembly required

The Actiflex II single monitor arm floats your monitor above the work surface. It is easily adjustable, at the touch of a finger. The integrated spring adjustment allows precise positioning of the monitor. The monitor can be tilted up to 180 degrees, and the screen can be pivoted from landscape to portrait. Integrated cable management keeps the work surface free from cable clutter.

The Actiflex II single monitor arm offer a weight range of 0-8kg per monitor with a combined vertical range of 180 – 620mm.

Two Single arm combinations easily allows a Dual monitor arm configuration.



Features

- Desk-clamp or through-mount included
- Easy above desk installation
- Fully adjustable: 360 degrees rotate
- Quick release VESA brackets for easy monitor mounting
- Integrated cable management