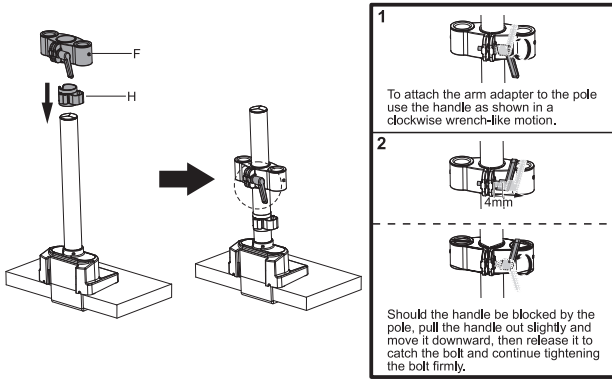
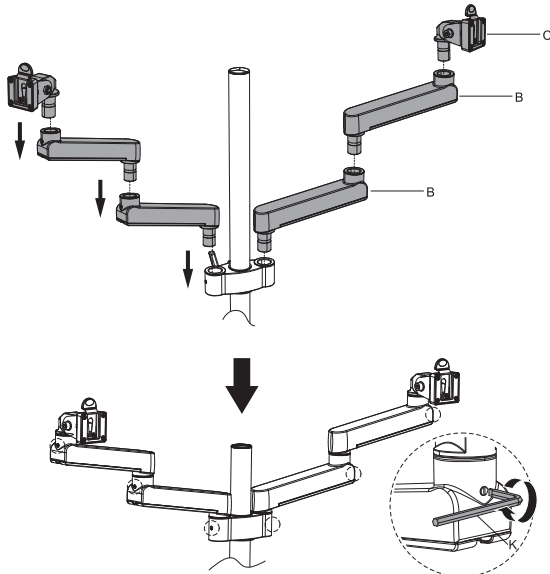




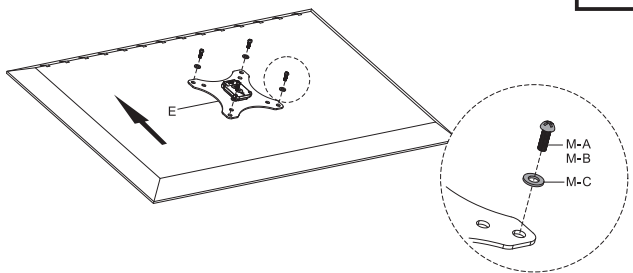
### 3 Attach the Cable Clip and Arm Adapter to the Pole



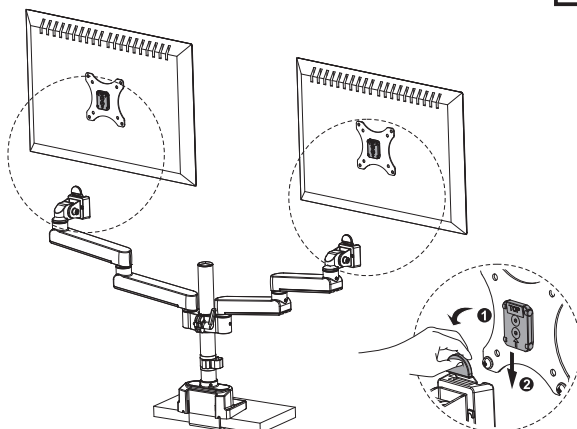
### 4 Assemble the Arm



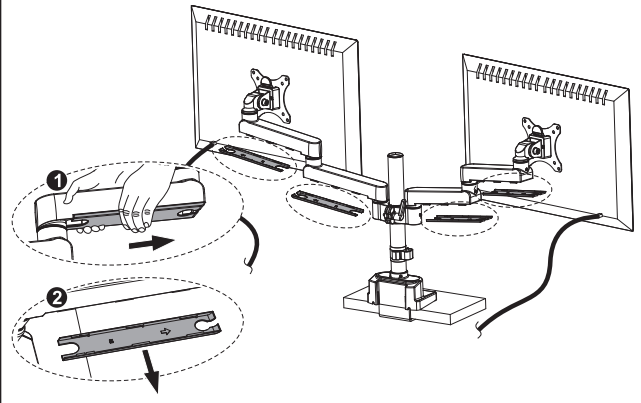
### 5 Attach the VESA Plates to the Monitors



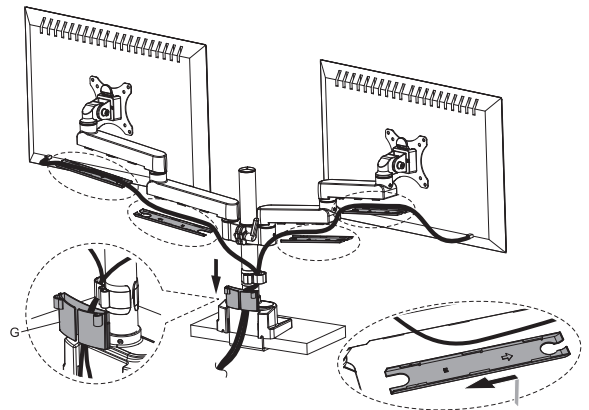
### 6 Clip on the VESA Mounts to the VESA Plates



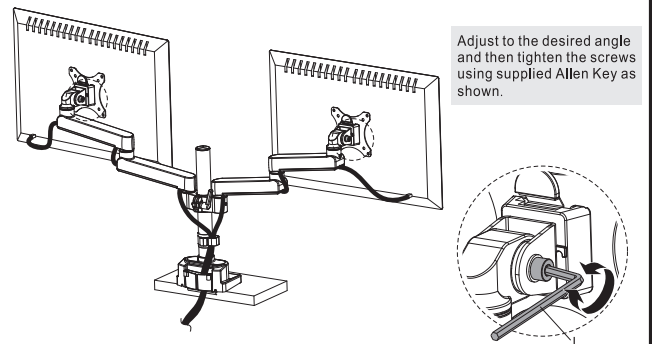
### 7 Remove the Cable Covers



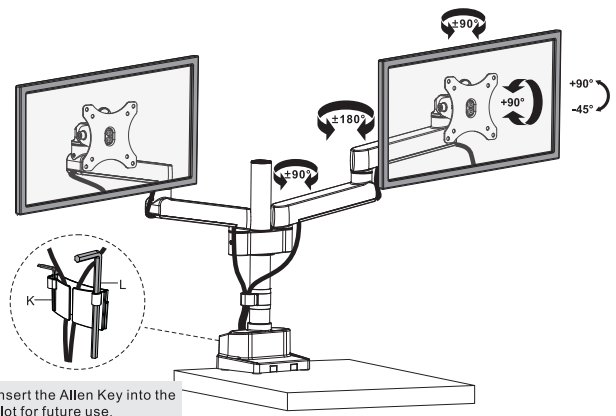
### 8 Route the Cable Along The Arm



### 9 Tilt the Monitors



### 10 Adjust the Monitors to the Desired Position



**Uplifting**  
ergonomic furniture solutions

**Need help?**  
Call us on  
1300 527 665

**jason.l**  
your office furniture mate