

# Actiflex II Dual Monitor Arm



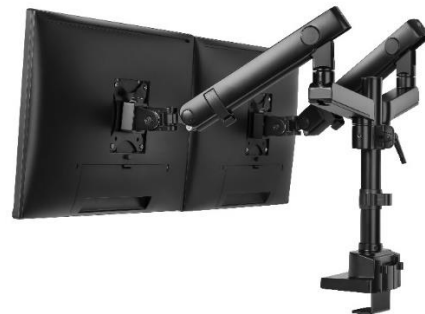
Desk pole mount articulating single monitor arm with cable management and height adjustment

## Capabilities

- Pole Height: 360mm
- Pole Diameter: 34mm
- Height Range: 110mm-600mm (centre VESA)
- Horizontal reach range: 0 - 580mm (centre VESA)
- Suitable for most LCD/LED monitors up to 27" size
- Monitor tilt: 0 - 180 degrees both vertical and horizontal
- Monitor pivot: 360 degrees
- Monitor compatibility: VESA 75mm and 100mm
- Mounting options: Desk clamp or Grommet mount
- Monitor weight: up to 8 Kg

The Actiflex II dual monitor arm floats your monitors above the work surface. The integrated spring adjustment allows precise positioning of the monitors. The monitors can be tilted up to 180 degrees, and the screen can be pivoted from landscape to portrait.

Integrated cable management keeps the work surface free from cable clutter. The Actiflex II dual monitor arms offer a weight range of 0-8kg per monitor with a combined vertical range of 180-620mm.



## Features

- Desk-clamp or through-mount included
- Easy above desk installation
- Quick release VESA brackets for easy monitor mounting
- Integrated cable management
- Compatible with most curved monitors

## Options

- Monitor arm and laptop tray configuration available

