

INSTALLATION GUIDE

Switch System

6 Person Workstation

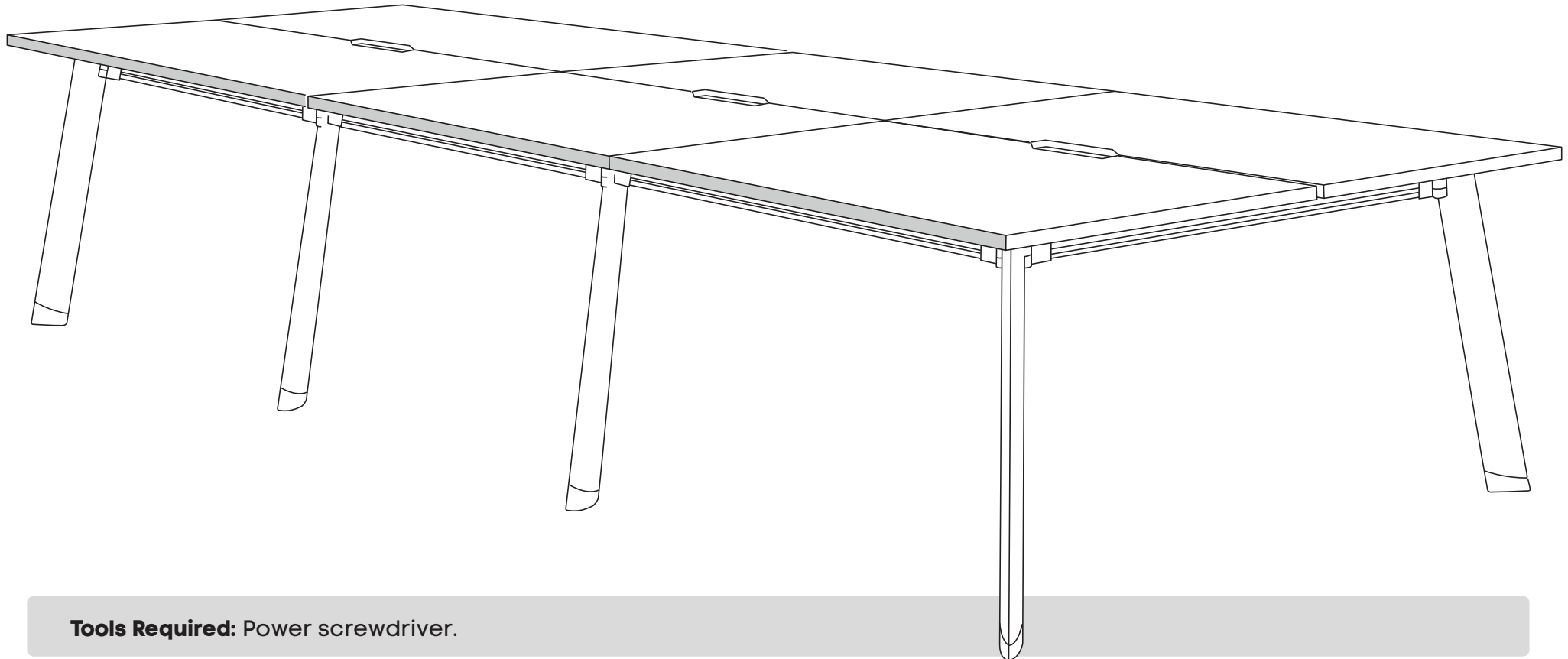
Size: 1600x800 mm

www.jasonl.com.au

Need help!

Call us on
1300 527 665

jason.l
your office furniture mate



Tools Required: Power screwdriver.

Note: Please ignore any pre-drilled holes or nut inserts that maybe present in your top(s). They will not match your particular table/desk base and woods screws will be required to be screwed directly into the underside of the top.

Note: It is important to fully tighten all bolts and screws before attaching the top(s) so that the frame is sufficiently rigid. Failure to do this may affect stability once the tops are attached.

INSTALLATION GUIDE

Switch System

6 Person Workstation

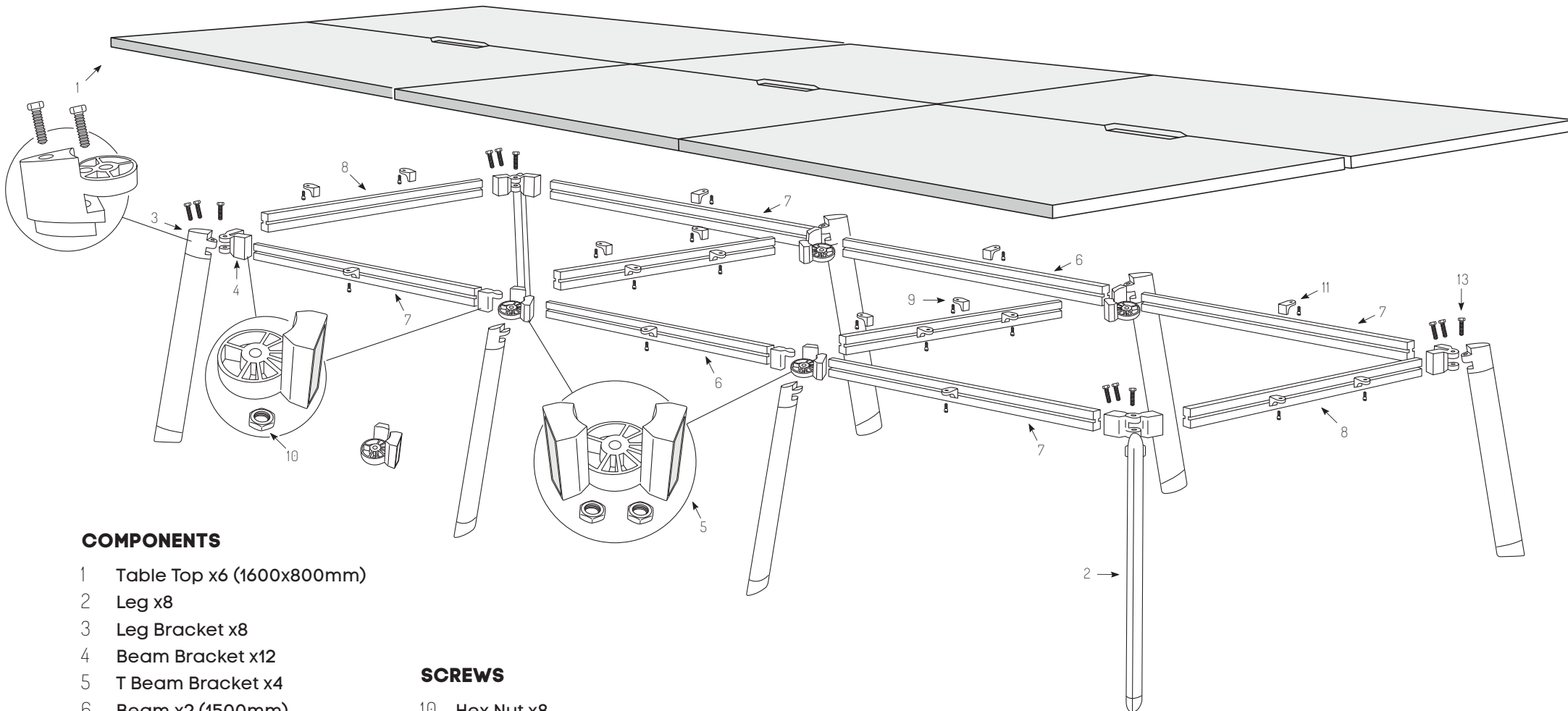
Size: 1600x800 mm

www.jasonl.com.au

Need help!

Call us on
1300 527 665

jason.l
your office furniture mate



COMPONENTS

- 1 Table Top x6 (1600x800mm)
- 2 Leg x8
- 3 Leg Bracket x8
- 4 Beam Bracket x12
- 5 T Beam Bracket x4
- 6 Beam x2 (1500mm)
- 7 Beam x4 (1315mm)
- 8 Beam x4 (1150mm)
- 9 L-Bracket x20

SCREWS

- 10 Hex Nut x8
- 11 L-Bracket screws x20
- 12 Hex Head screws x36
- 13 M8x25mm Dome Head x8

INSTALLATION GUIDE

Switch System

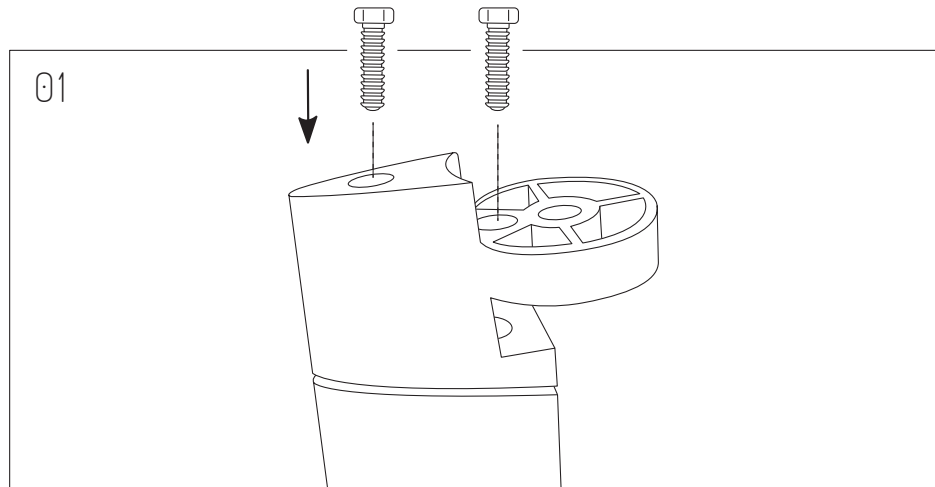
6 Person Workstation

www.jasonl.com.au
Need help!
Call us on
1300 527 665

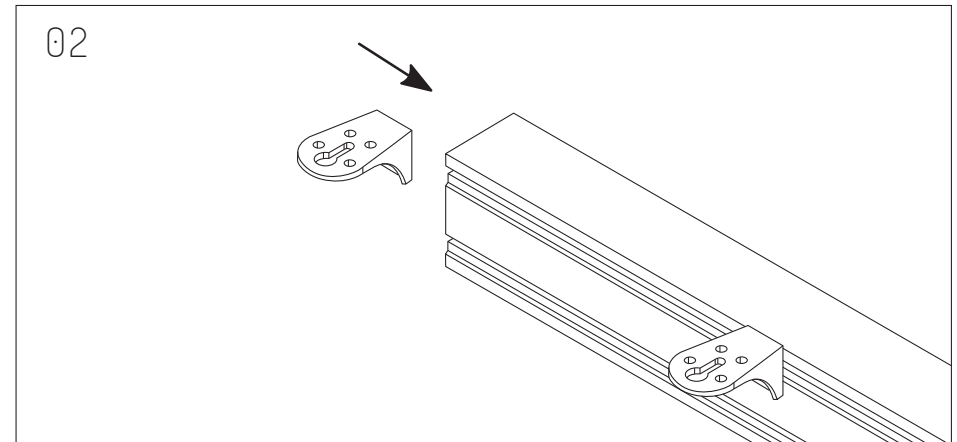
jason.l
your office furniture mate



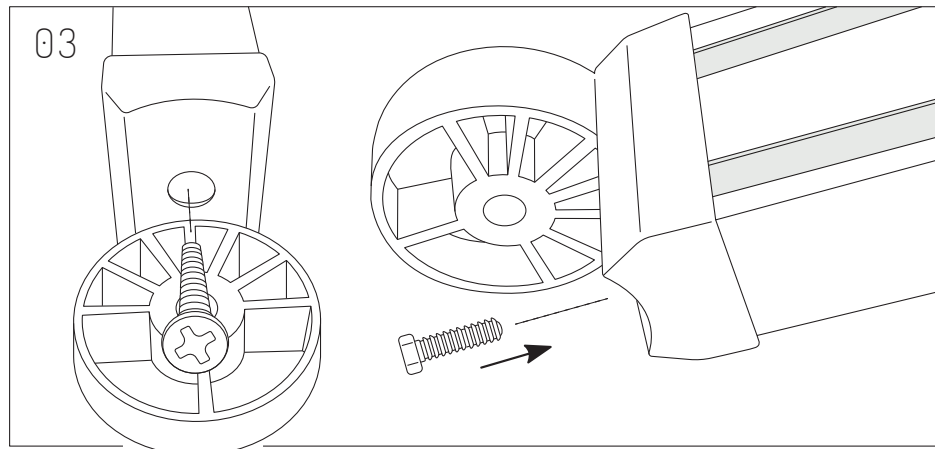
Size: 1600x800 mm



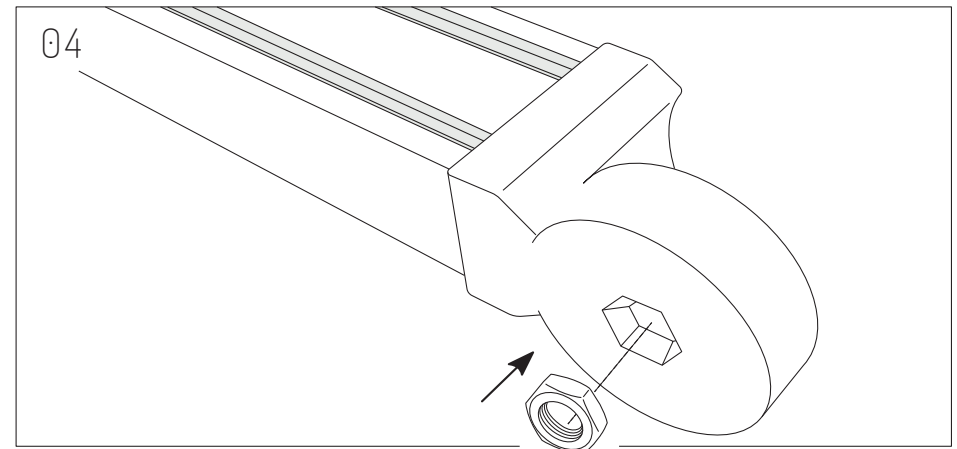
Join Leg Brackets to each Leg using screws to secure them, as follow.



Join 1 L-Bracket through each 1500mm and 1315mm Beam and 2 L-Bracket through each 1150mm Beam.



Securely connect each Beam to each Beam Bracket. Screw to secure.



Insert Hex Nut on each Beam Bracket.

INSTALLATION GUIDE

Switch System

6 Person Workstation

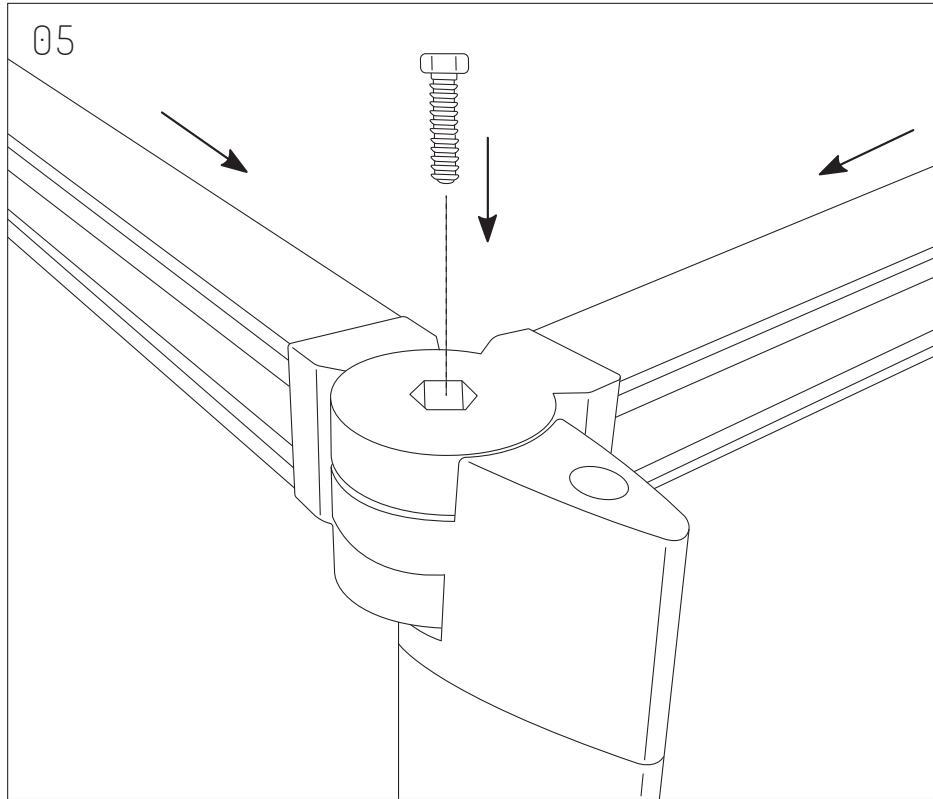
Size: 1600x800 mm

www.jasonl.com.au

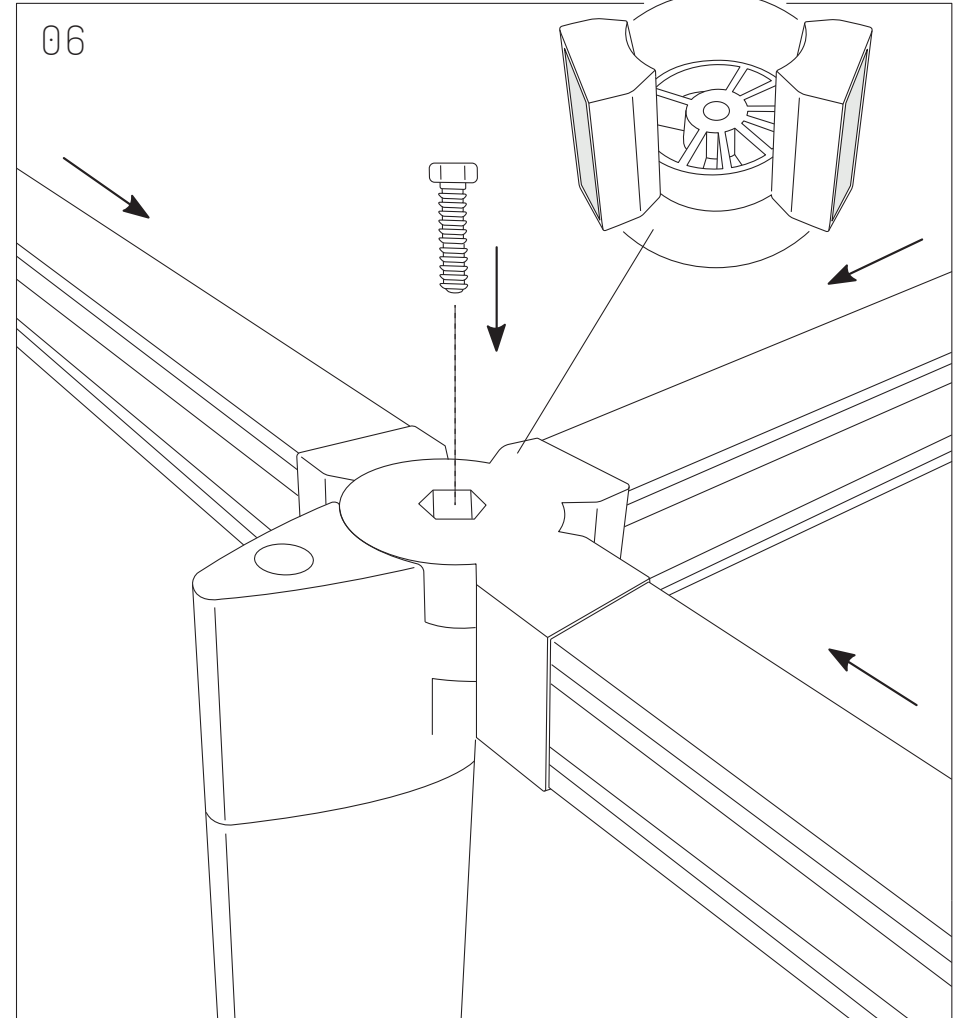
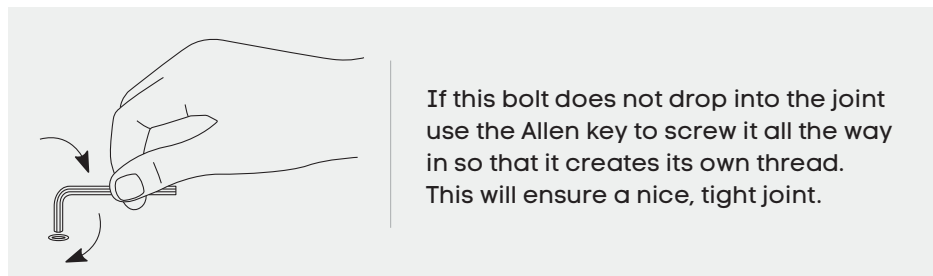
Need help!

Call us on
1300 527 665

jason.l
your office furniture mate



Position as presented, and proceed to screw to ensure each corner of the frame.



For the 4 central legs, attach as presented, using T Beam Bracket.

INSTALLATION GUIDE

Switch System

6 Person Workstation

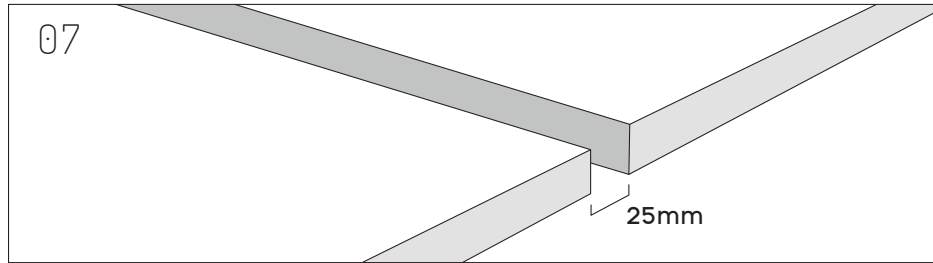
www.jasonl.com.au

Need help!
Call us on
1300 527 665

jason.l
your office furniture mate

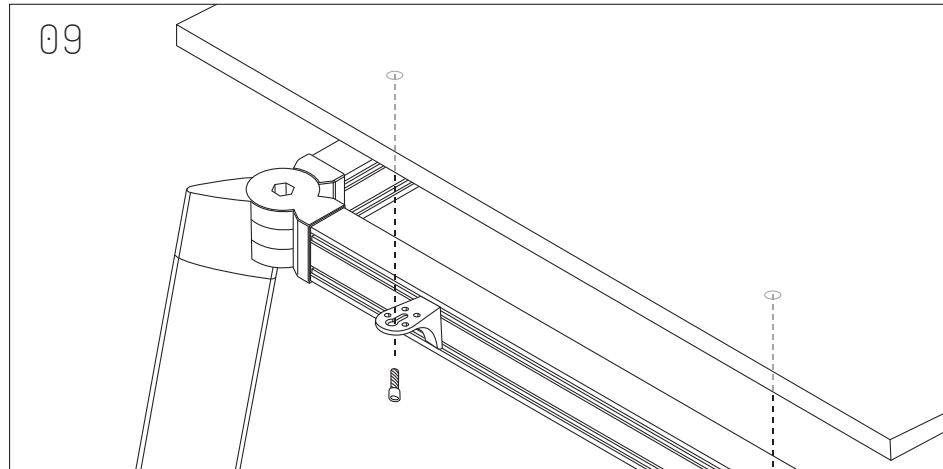
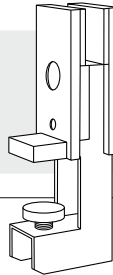


Size: 1600x800 mm

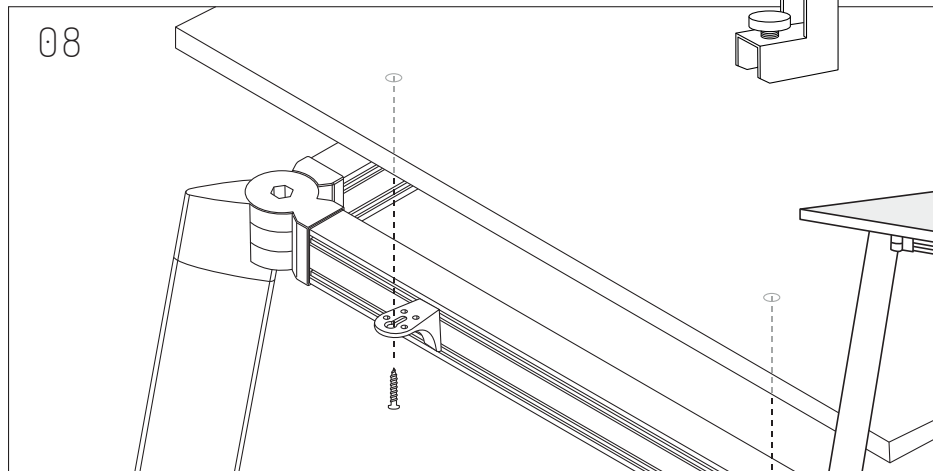


Once we get the whole frame ready, ensure the worksurface is centered over the frame. If you are planning to install a divider screen, leave a 25mm gap between tables.

Note: If you are planning to install Pincer Brackets like the image to the right, you need to attach these brackets before continuing.



Once we get the whole frame ready, ensure the worksurface is centered over the frame. and fully tighten all M6x40mm Hex Head to Table Tops, through each L-Bracket.



Directly screw into table tops, using L-Bracket screws through each L-Bracket.

Note: It is important to fully tighten all bolts and screws before attaching the top(s) so that the frame is sufficiently rigid. Failure to do this may affect stability once the tops are attached.

