

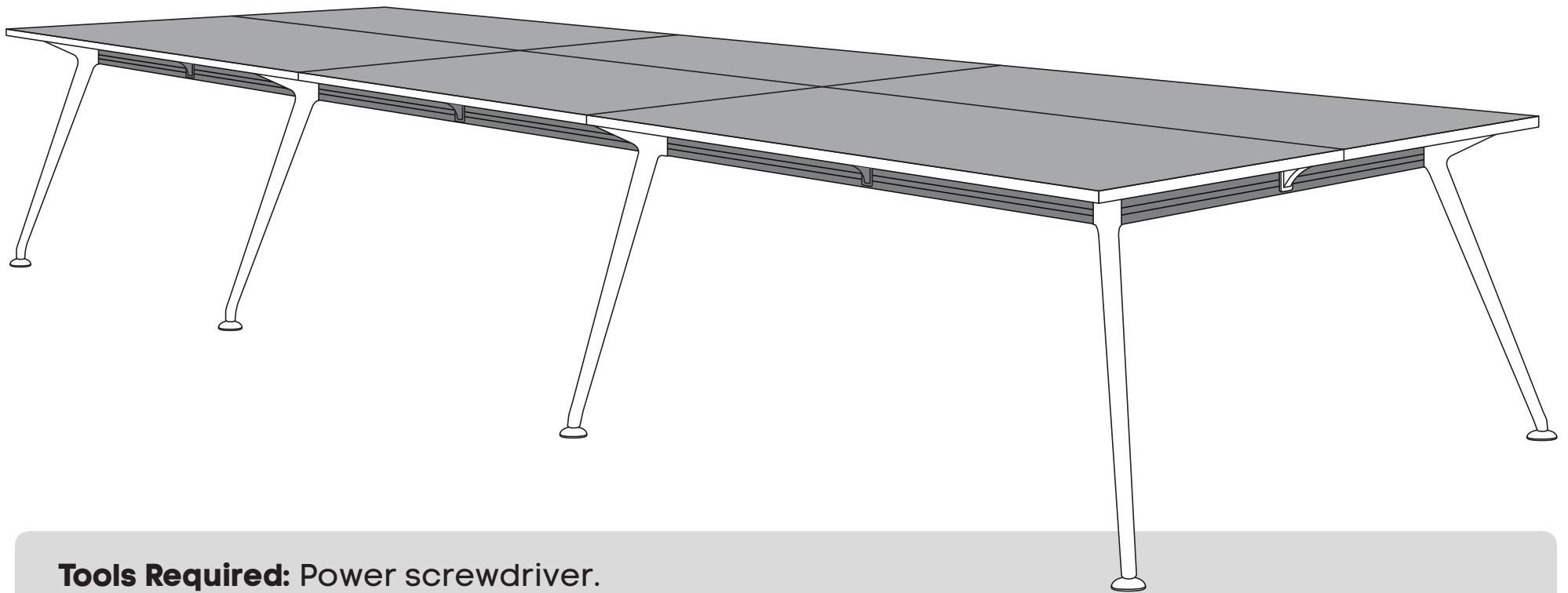
INSTALLATION GUIDE
San Fran System
6 Person Workstation

Size: 1600mm

www.jasonl.com.au

Need help!
Call us on
1300 527 665

jason.l
your office furniture mate



Tools Required: Power screwdriver.

Special Note: No pre-drilled holes or nut inserts are provided.
Wood screws will be required to be drilled directly into underside of desk top.

INSTALLATION GUIDE

San Fran System

6 Person Workstation

Size: 1600mm

www.jasonl.com.au

Need help!
Call us on
1300 527 665

jason.l
your office furniture mate

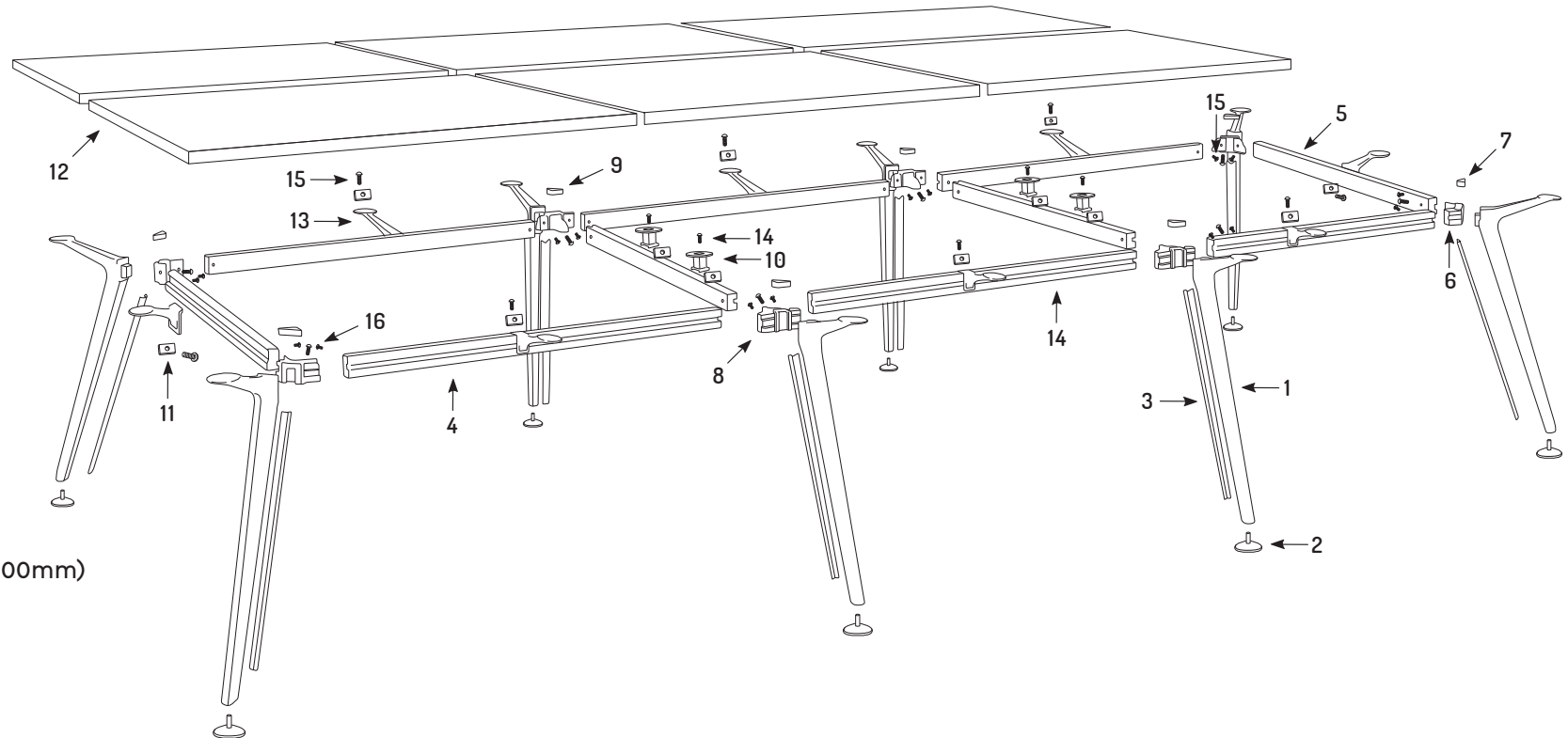


COMPONENTS

- 1 Leg x8
- 2 Adjustable Foot x8
- 3 Leg Cable Cover x8
- 4 Rail Lengths x4 (1090mm)
- 5 Rail Widths x4 (620mm)
- 6 2 Way Connector x4
- 7 2 Way Connector Cap x4
- 8 3 Way Connector x4
- 9 3 Way Connector Cap x4
- 10 Rail Space Bracket x4
- 11 Slot Nut x12
- 12 Table Top x6 (1600mm x 800mm)
- 13 Support Connector x8
- 14 Rail Widths x2

SCREWS

- 14 M8x20mm Dome Head x4
- 15 M8x12mm Dome Head x28
- 16 M8x20mm Cap Head x8
- 17 M5x20mm Self Tapping x40



INSTALLATION GUIDE

San Fran System

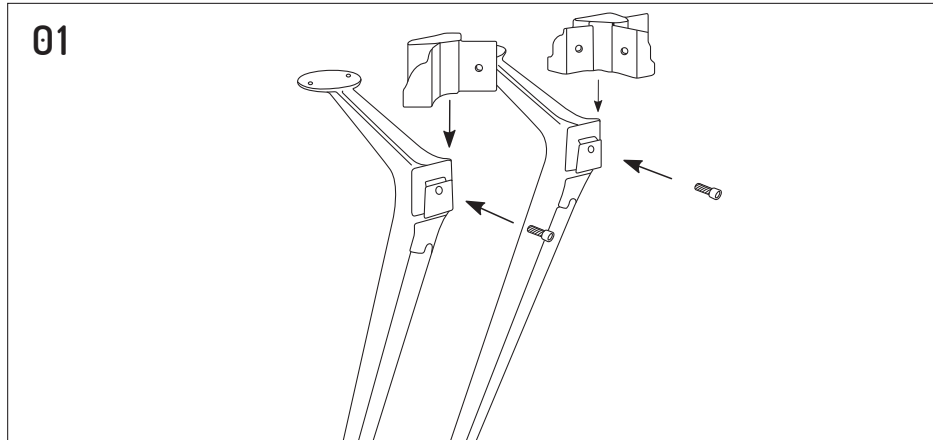
6 Person Workstation

Size: 1600mm

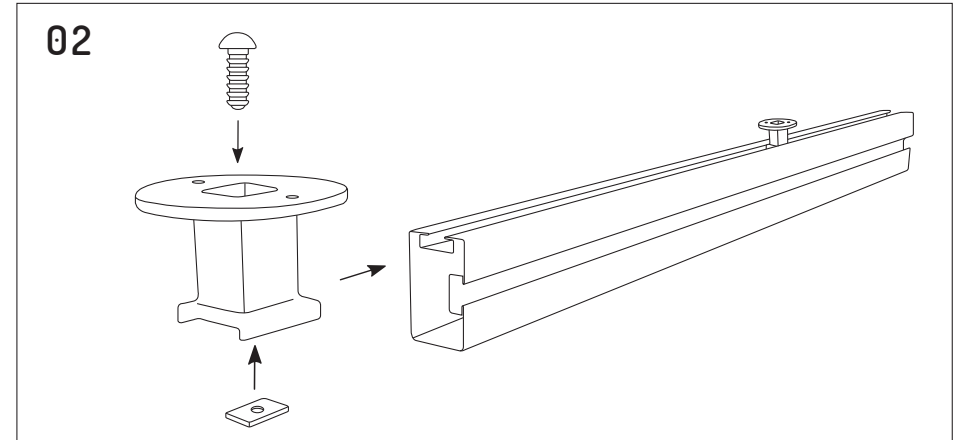
www.jasonl.com.au

Need help!
Call us on
1300 527 665

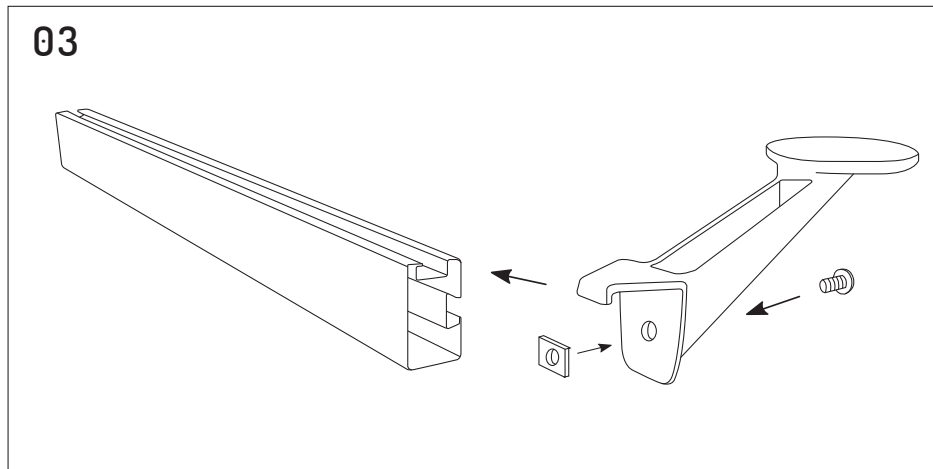
jason.l
your office furniture mate



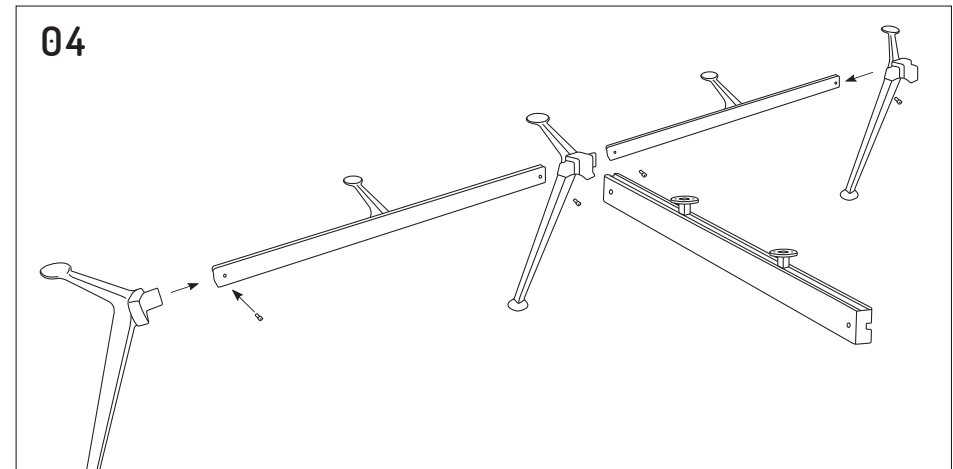
Slide the 2 way and 3 way connectors over each leg, and securely lock into place using M8x20mm cap head bolts.



Loosely connect the longer M8x20mm dome head bolt and slot nut through the rail spacer bracket. Slide onto required rails and fully tighten in place.



Loosely connect the shorter M8x12mm dome head bolt and slot nut through the metal rail spacer bracket. Slide onto required rails and fully tighten in place.



Securely connect legs to rails lengths using the shorter M8x20mm dome head bolts.

INSTALLATION GUIDE

San Fran System

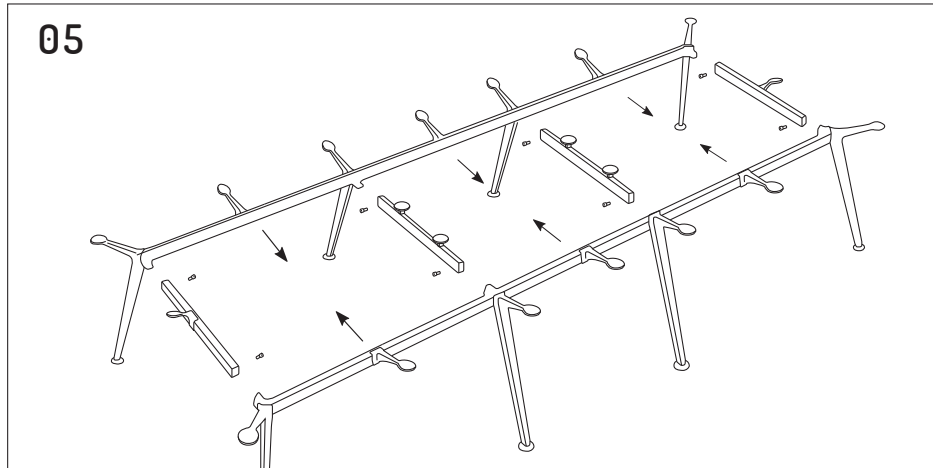
6 Person Workstation

Size: 1600mm

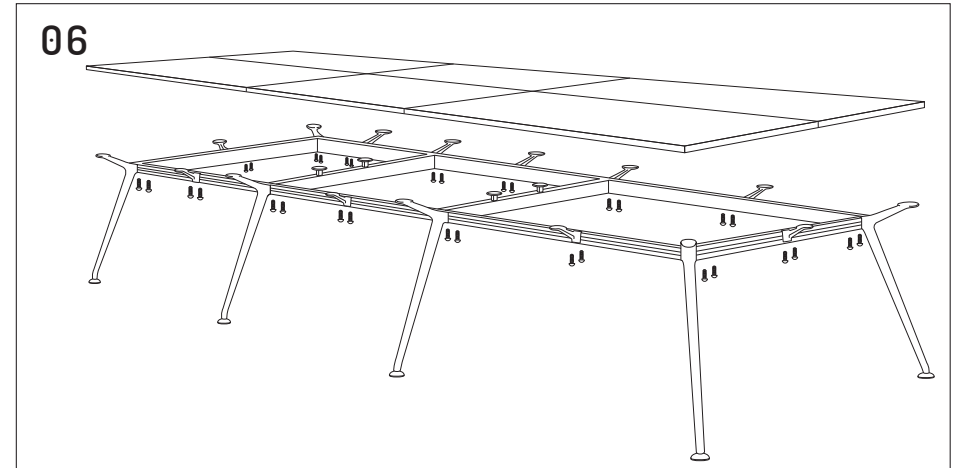
www.jasonl.com.au

Need help!
Call us on
1300 527 665

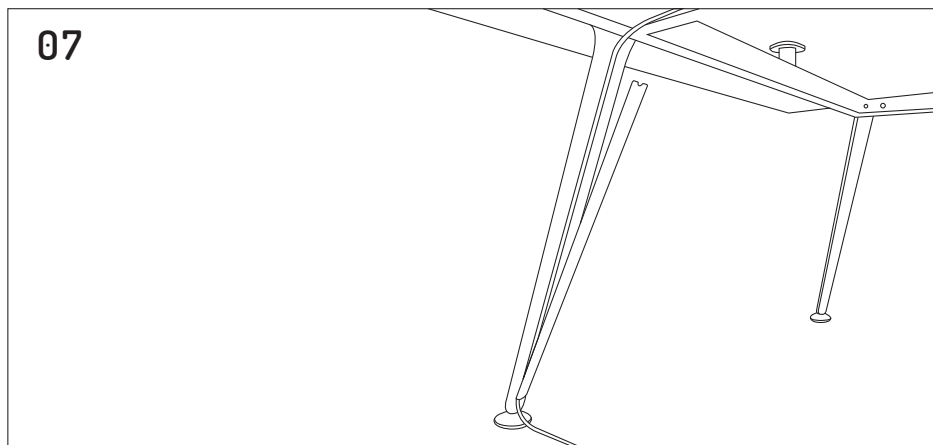
jason.l
your office furniture mate



Securely connect legs to rails widths using the shorter M8x12mm dome head bolts.



Ensure the work surfaces are centered over the frame. Fully tighten all M5x20mm self tapping screws through each leg rail spacer and support connector bracket into the work surfaces.



Cancel any power box cable using the magnetic leg cable covers.