

ASSEMBLY INSTRUCTIONS

Elements 4 Person Workstation

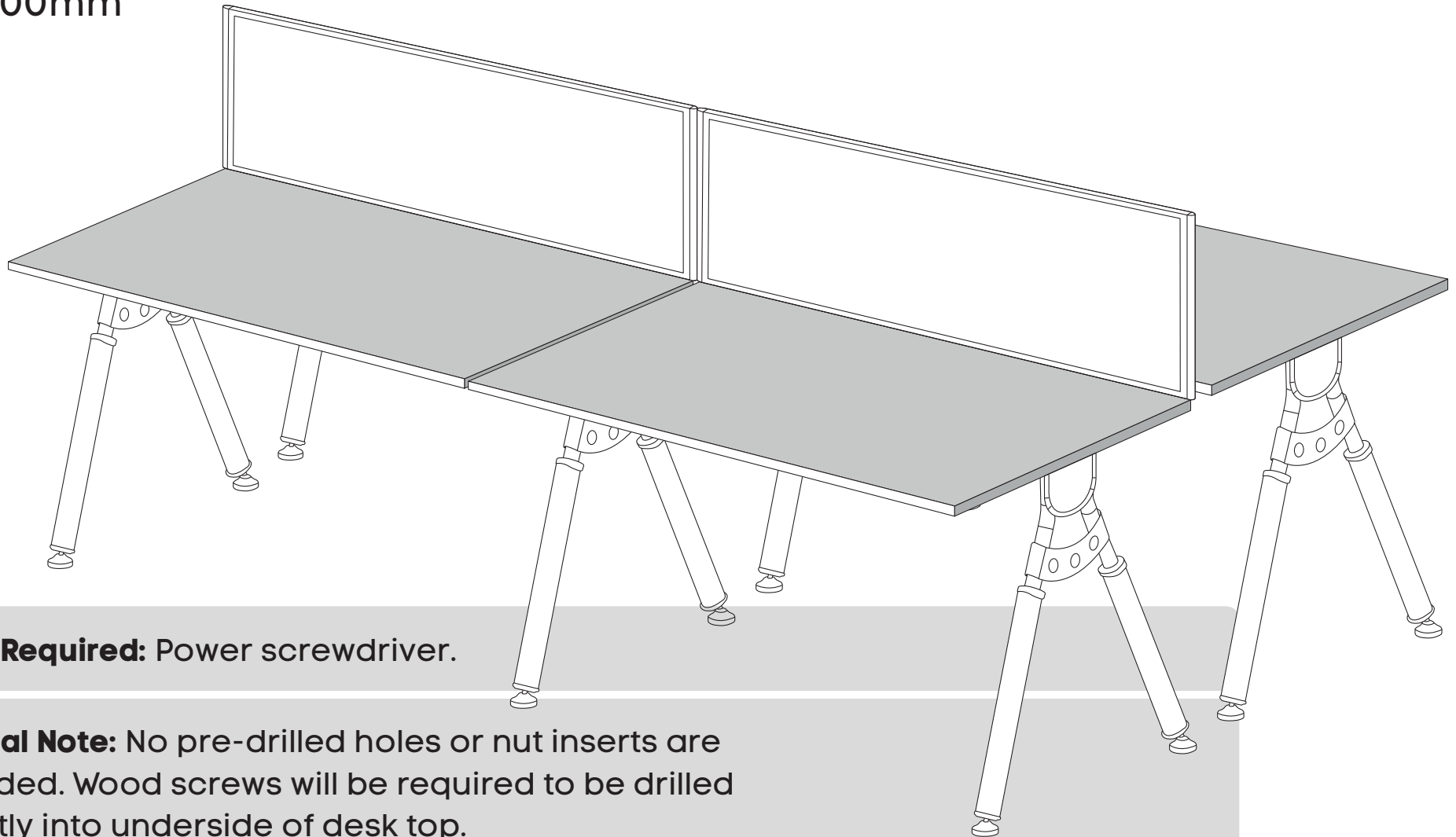
Size: 1200mm

www.jasonl.com.au

Need help!


Call us on
1300 527 665

jason.l
your office furniture mate



Tools Required: Power screwdriver.

Special Note: No pre-drilled holes or nut inserts are provided. Wood screws will be required to be drilled directly into underside of desk top.

 2 persons required for installation

ASSEMBLY INSTRUCTIONS

Elements 4 Person Workstation

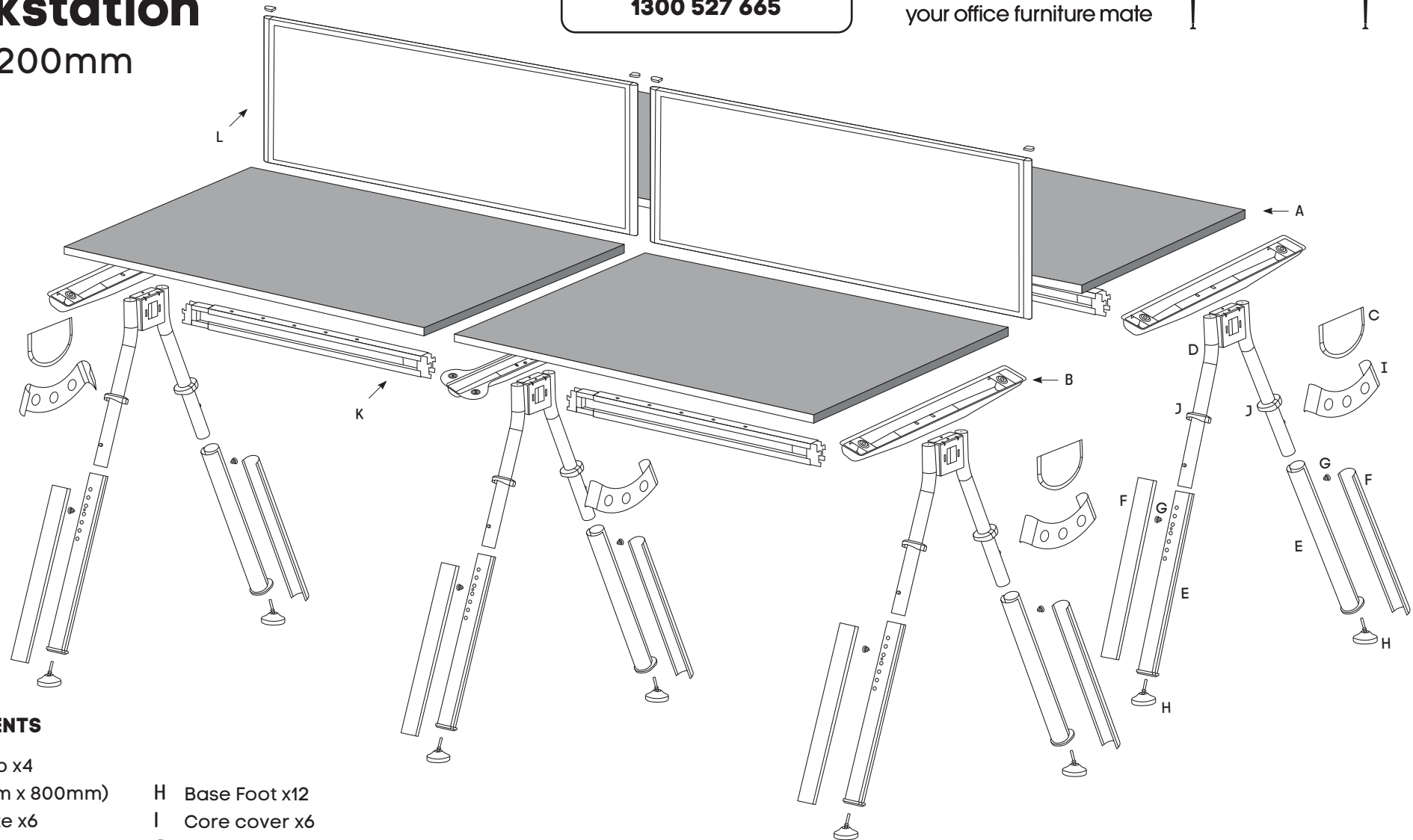
Size: 1200mm

www.jasonl.com.au

Need help!

Call us on
1300 527 665

jason.l
your office furniture mate



COMPONENTS

- | | |
|-----------------------------------|-------------------------------|
| A Desk top x4
(1200mm x 800mm) | H Base Foot x12 |
| B Top plate x6 | I Core cover x6 |
| C Leg core insert x4 | J Sleeve Cap x12 |
| D Leg core return x6 | K Extendable Beam x4 |
| E Leg sleeve x12 | L Screen x2 (1200mm) |
| F Sleeve cover x12 | M Rod Brackets for screens x4 |
| G Fold Screen x12 | N 2 way screen connector x1 |

SCREWS

- | |
|--|
| O Phillip Head M6*15 Wood Screw (silver) x16 |
| P Phillip Flat Head M6*20 Screw (gold) x24 |
| Q H6x30 x16 |

ASSEMBLY INSTRUCTIONS

Elements 4 Person Workstation

Size: 1200mm

www.jasonl.com.au

Need help!

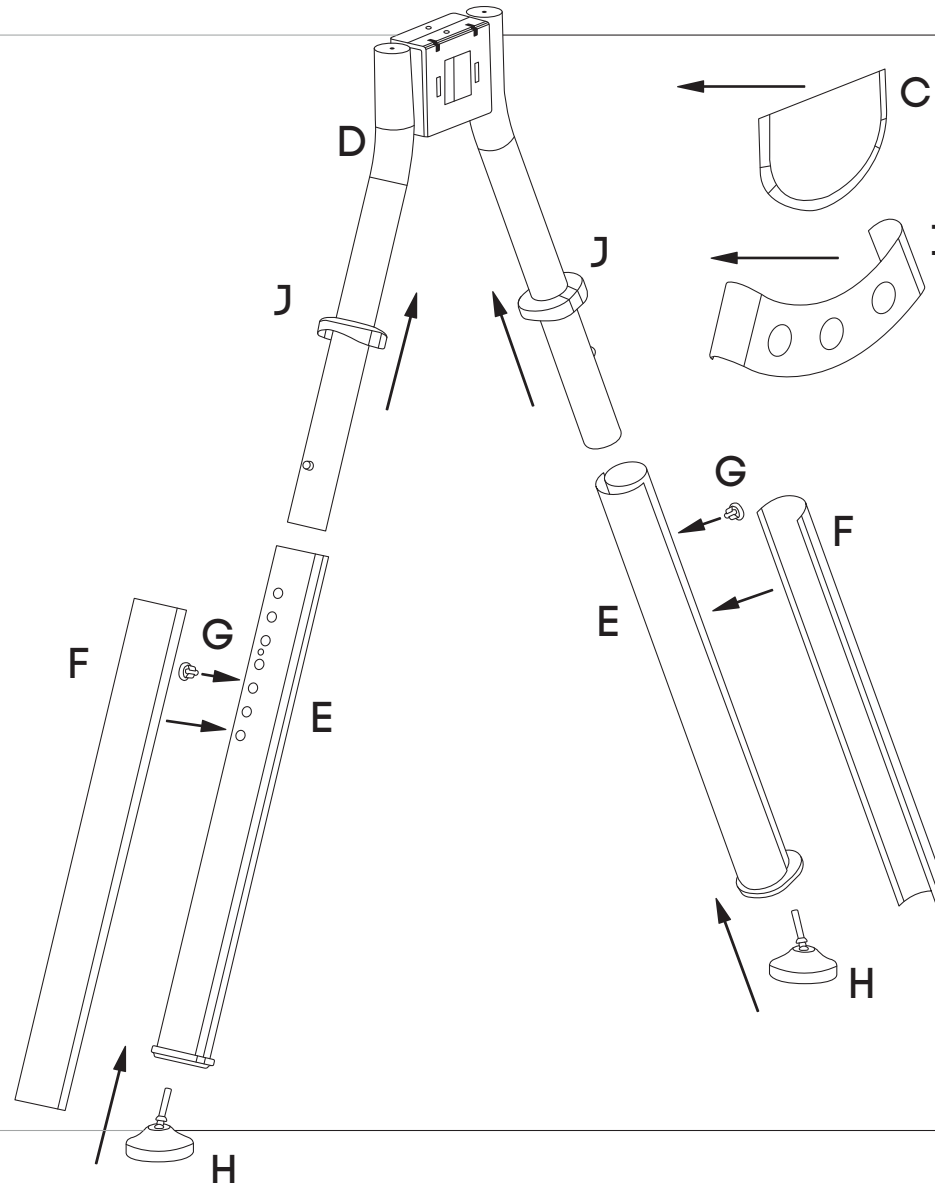
Call us on
1300 527 665

jason.l
your office furniture mate



01

- Unwrap all leg components.
- Remove sleeve cap (J) and sleeve cover (F) from all leg sleeves.
- Insert base foot (H) into leg sleeve (E) by rotating base foot (H) clockwise.
- Insert sleeve cap (J) onto leg core (D) for all legs.
- Insert leg sleeve (E) onto leg core (D) for all legs. TIP: Keep height adjustment holes pointing outwards.
- Place leg core insert (C) onto leg core (D) for all legs.
- Place core cover (I) onto leg core (D) for all legs.
- Place sleeve cover (F) over leg sleeve (E) for all legs.



ASSEMBLY INSTRUCTIONS

Elements 4 Person Workstation

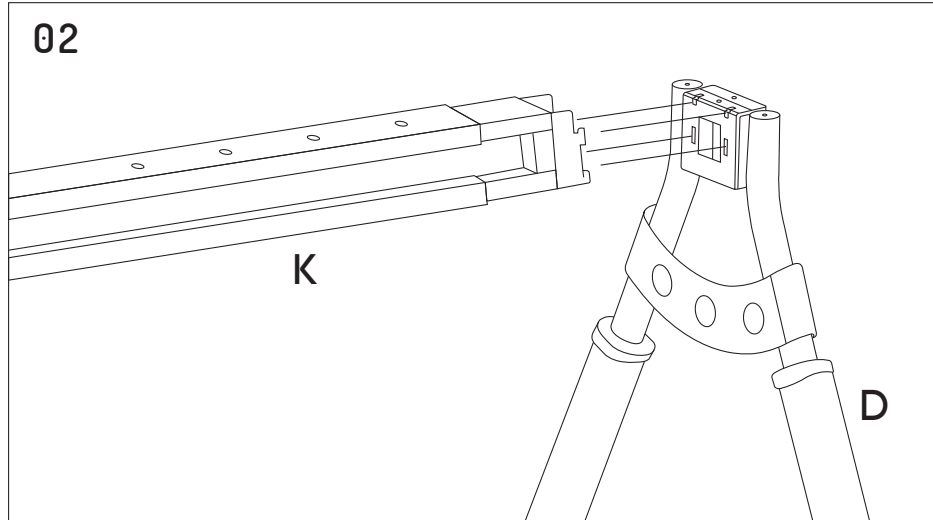
Size: 1200mm

www.jasonl.com.au

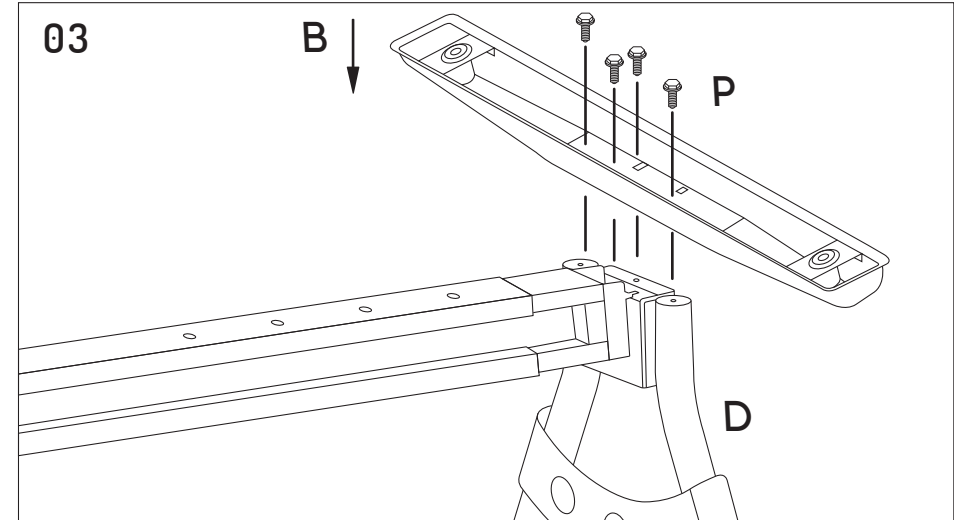
Need help!

Call us on
1300 527 665

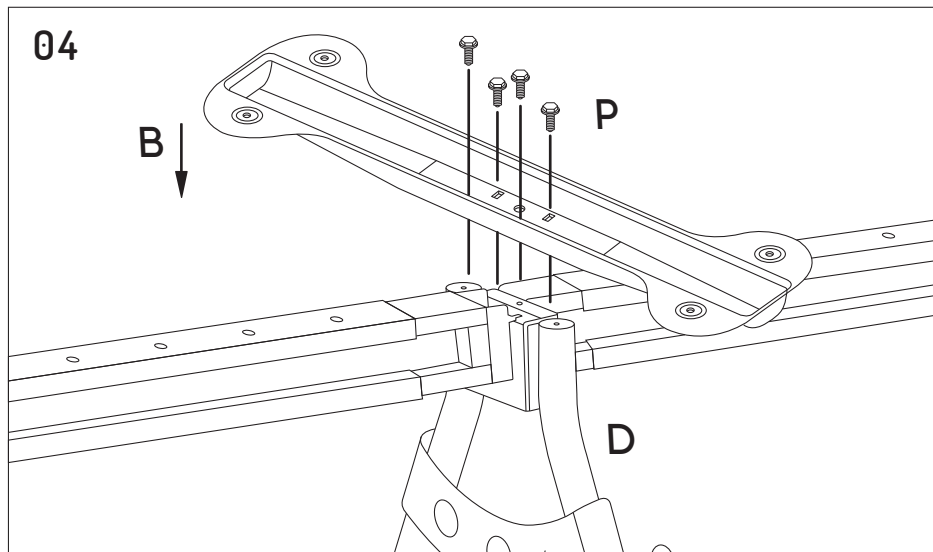
jason.l
your office furniture mate



Connect extendable Beams (K) to Legs Core (D)



Tighten Top Plates (B) to outer legs core (D) by tightening Screw (P).



Tighten Top Plates (B) to middle legs core (D) by tightening Screw (P).

ASSEMBLY INSTRUCTIONS

Elements 4 Person Workstation

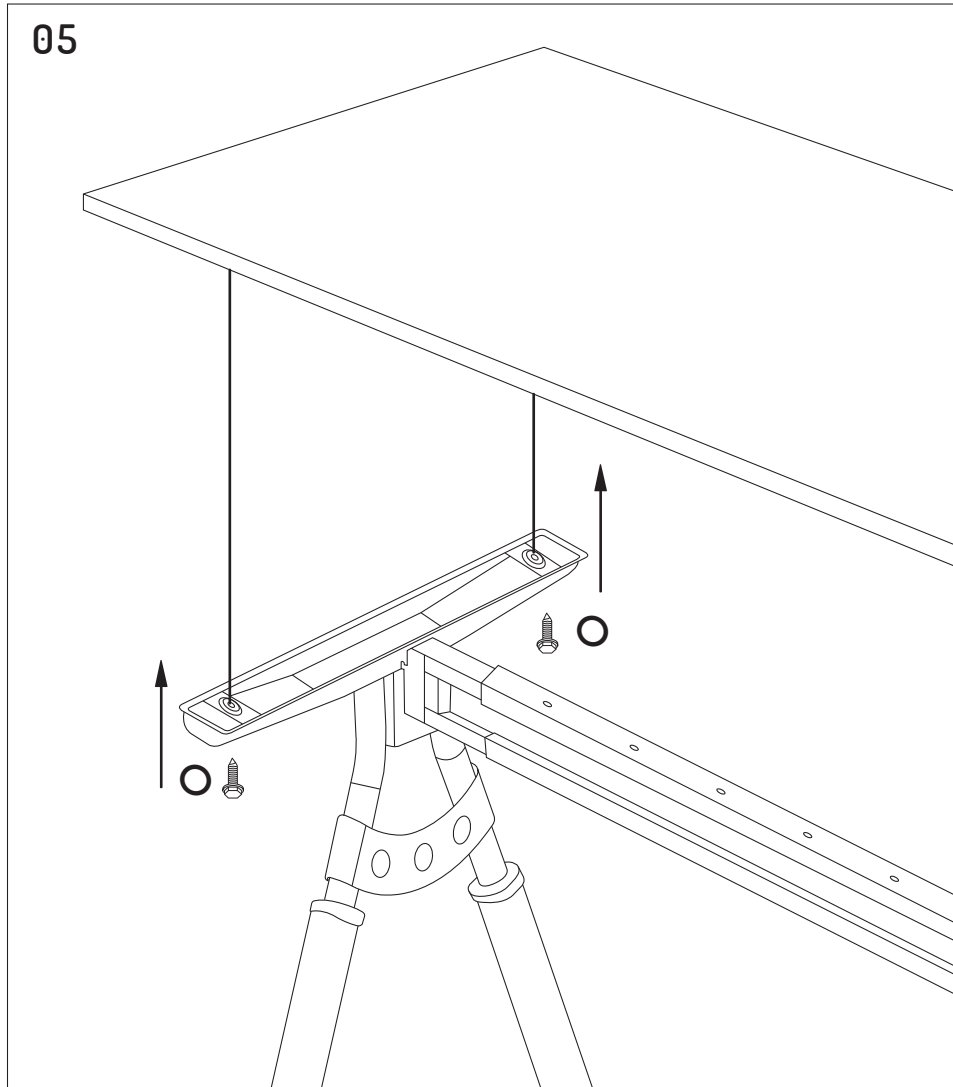
Size: 1200mm

www.jasonl.com.au

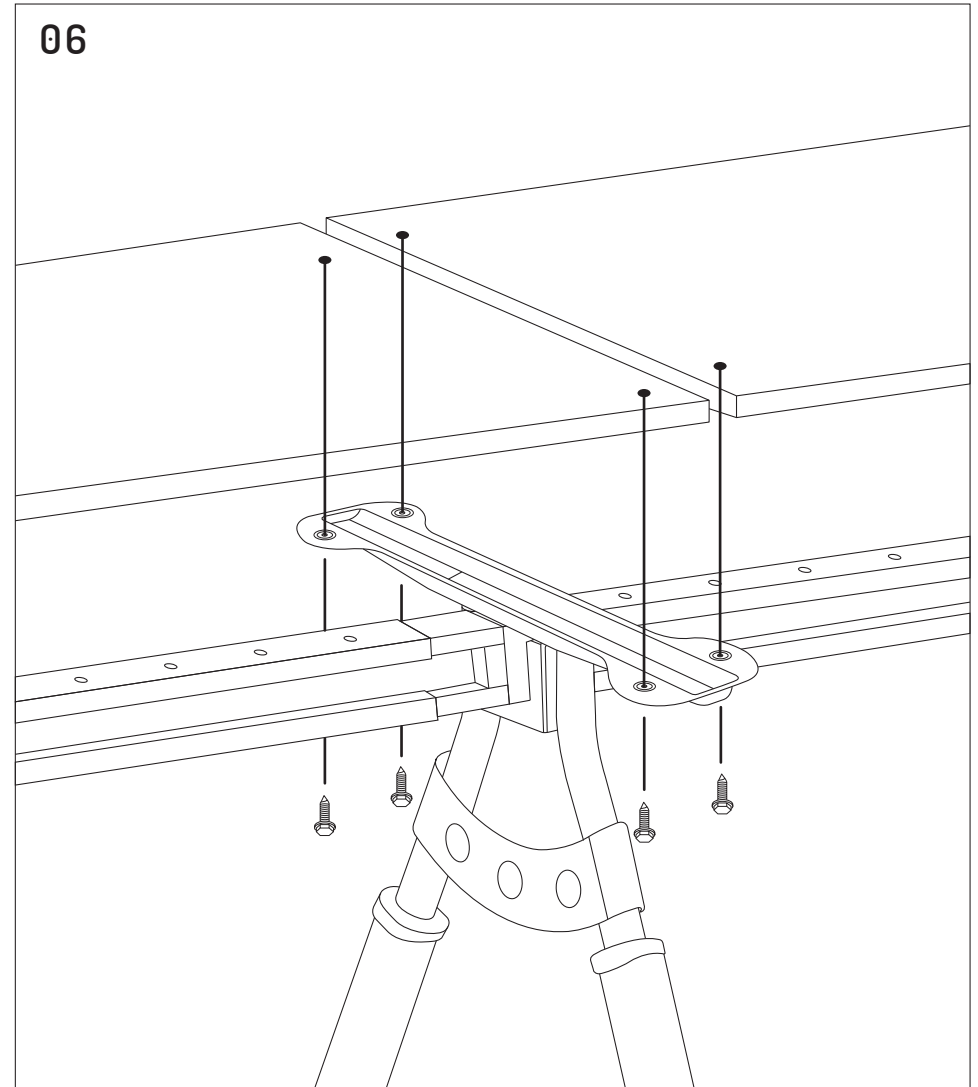
Need help!

Call us on
1300 527 665

jason.l
your office furniture mate



Attach outsider legs + beam to Desk Tops by tightening Scews (O).



Attach middle leg to Desk Tops by tightening Scews (O).

ASSEMBLY INSTRUCTIONS

Elements 4 Person Workstation

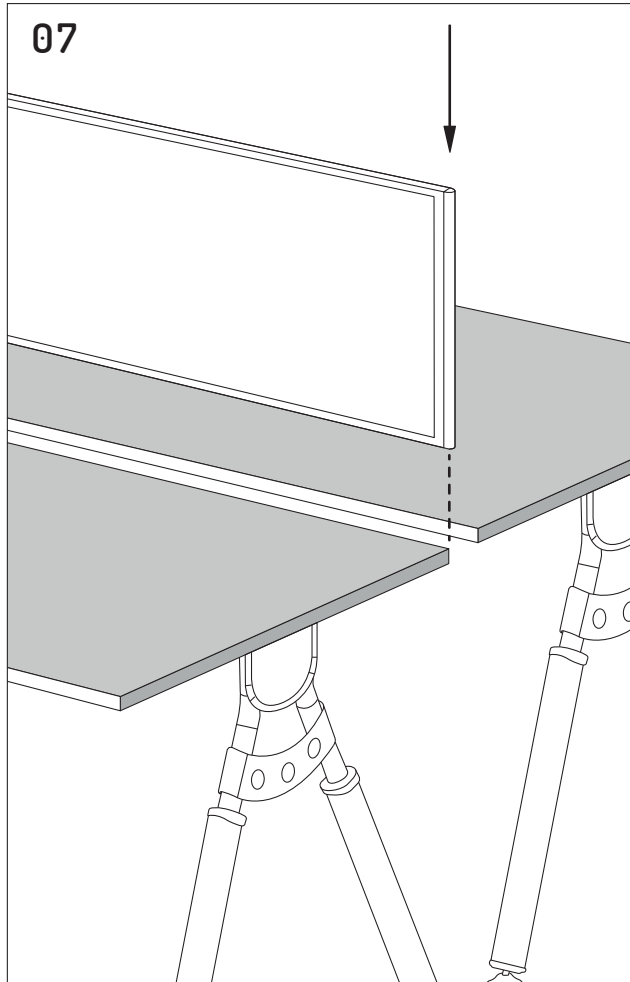
Size: 1200mm

www.jasonl.com.au

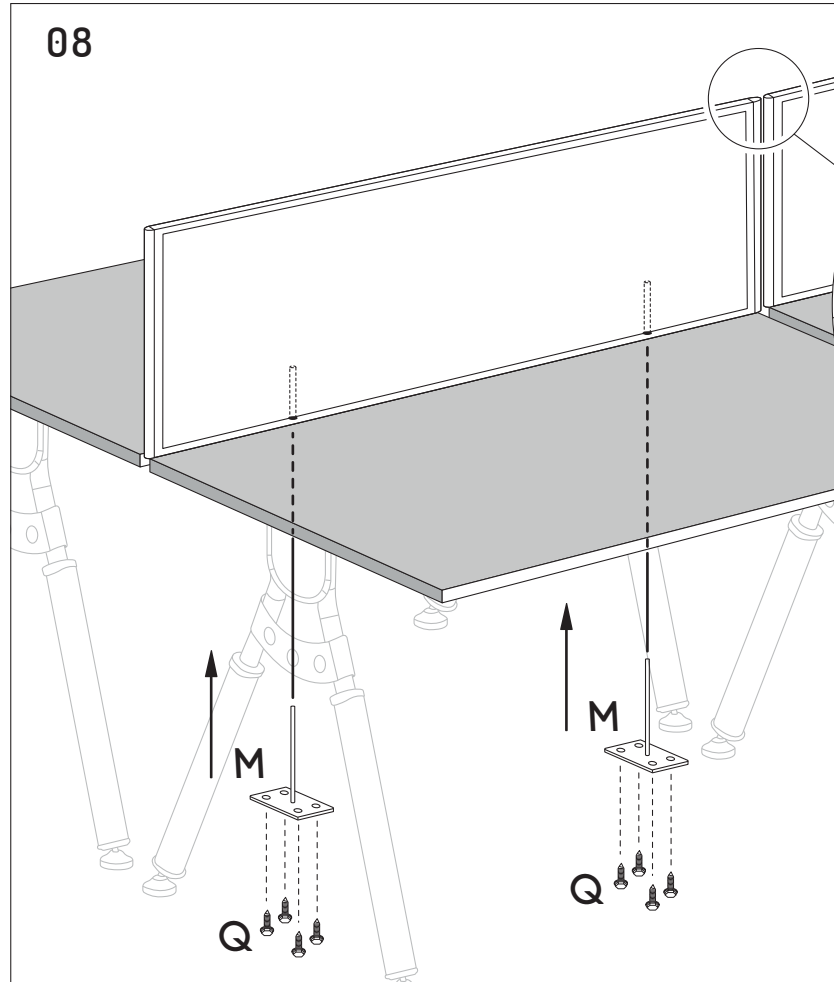
Need help!

Call us on
1300 527 665

jason.l
your office furniture mate

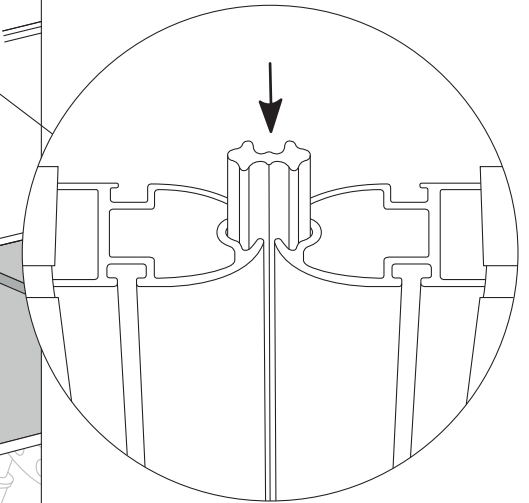


Place screens (L) in the gap, aligned with desk tops (A).



Place 10mm Rod Brackets (M) into designated screen holes.
Drill desk tops (A) with H6x30 screws (Q) to assemble the screens.

09



Using an Allen key remove top 2 caps from all screens (L) uprights. Bring two partition towards one another and slide the 2 way connector rod (N) - down between the two screen uprights.