

ASSEMBLY INSTRUCTIONS

Horizon Workstation 4 Person

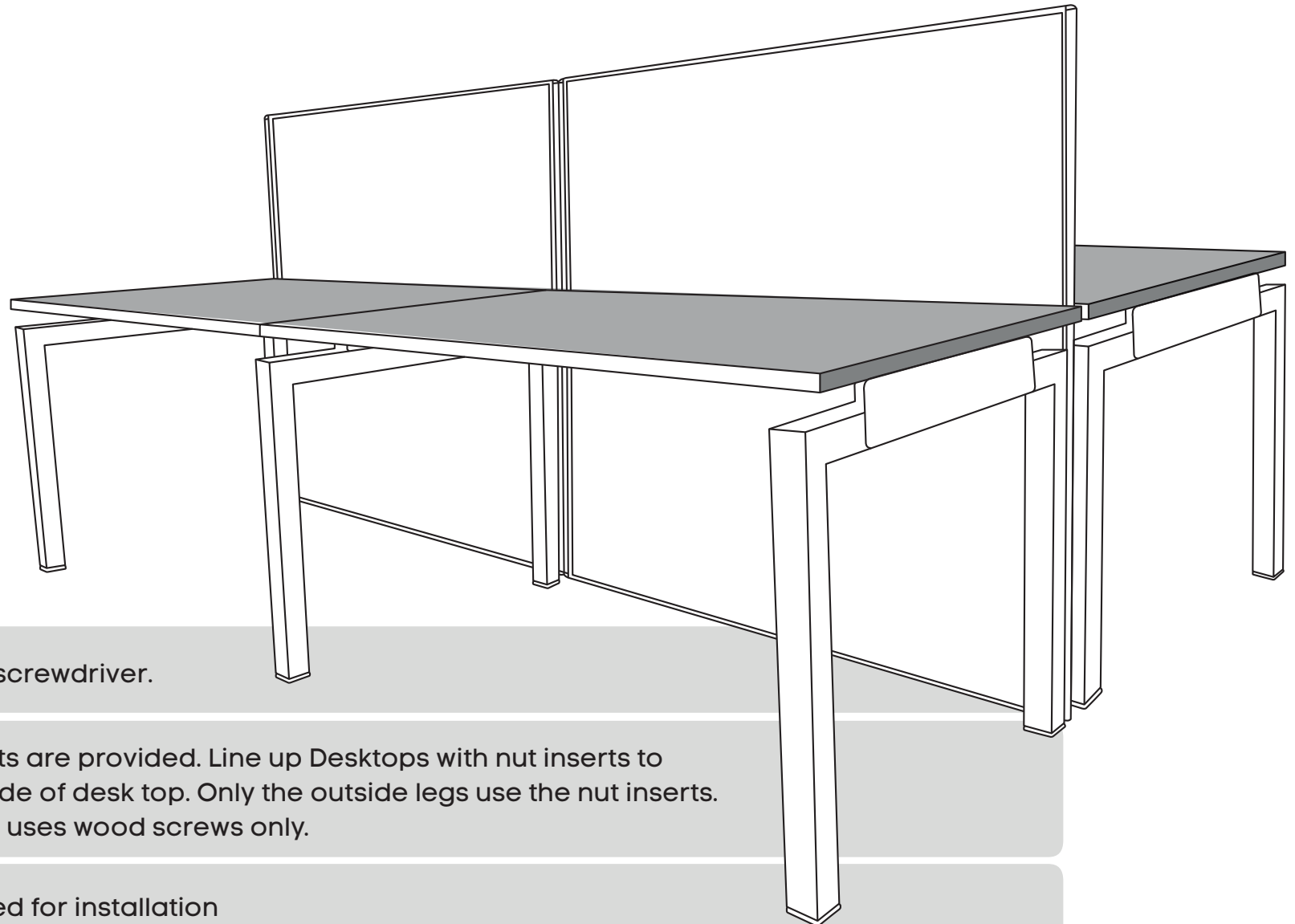
Size: 1800mm

www.jasonl.com.au

Need help!

Call us on
1300 527 665

jason.l
your office furniture mate



Tools Required: Power screwdriver.

Special Note: Nut inserts are provided. Line up Desktops with nut inserts to secure legs to underside of desk top. Only the outside legs use the nut inserts. The middle shared leg uses wood screws only.



2 persons required for installation

ASSEMBLY INSTRUCTIONS

Horizon Workstation 4 Person

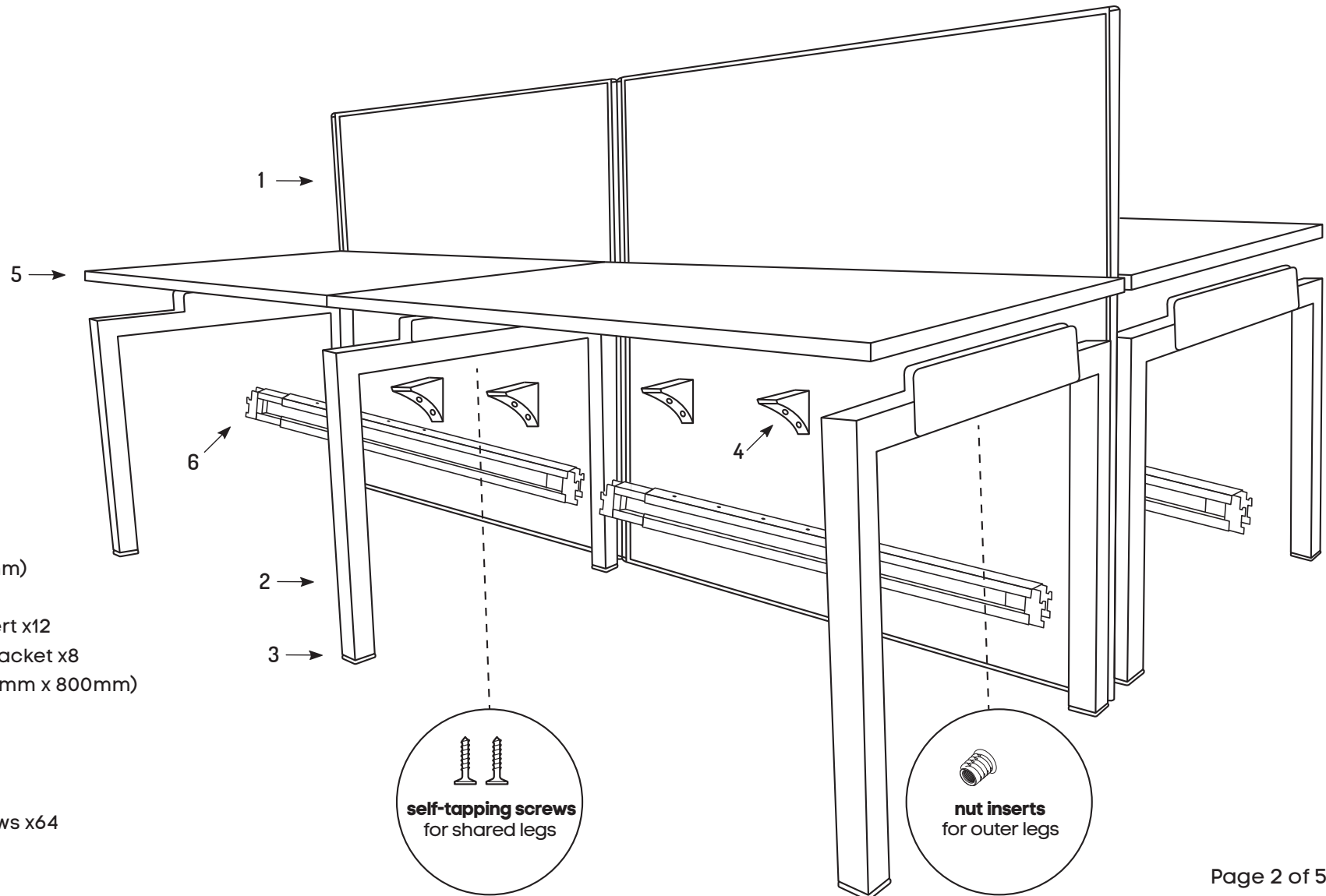
Size: 1800mm

www.jasonl.com.au

Need help!

Call us on
1300 527 665

jason.l
your office furniture mate



COMPONENTS

- 1 Screen x2 (1800mm)
- 2 Desk legs x6
- 3 Desk leg foot insert x12
- 4 L-Shaped post bracket x8
- 5 Desk top x4 (1800mm x 800mm)
- 6 Beams x4

SCREWS

- 7 25mm Woodscrews x64

ASSEMBLY INSTRUCTIONS

Horizon Workstation 4 Person

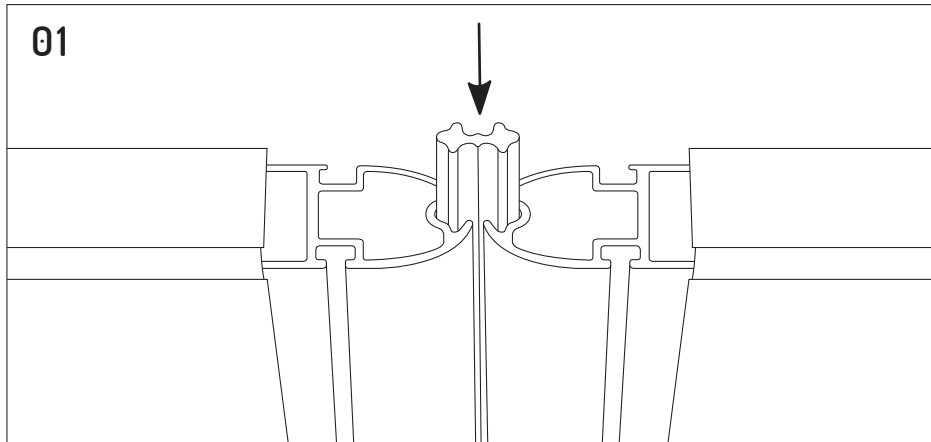
Size: 1800mm

www.jasonl.com.au

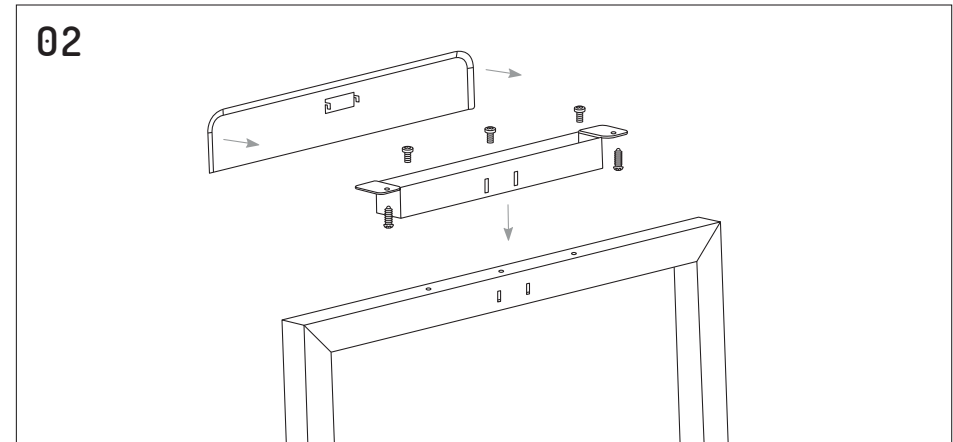
Need help!

Call us on
1300 527 665

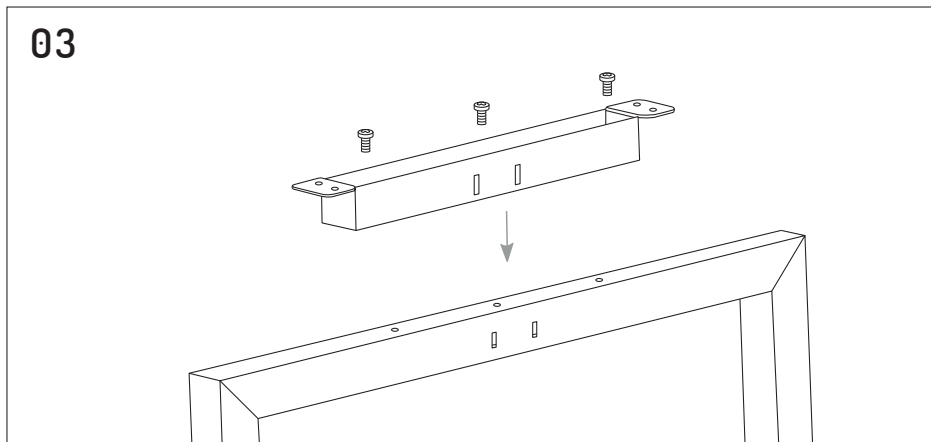
jason.l
your office furniture mate



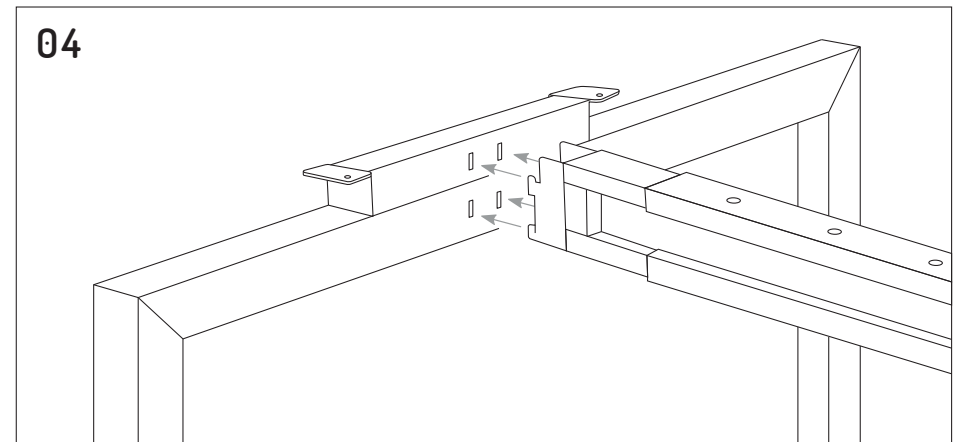
01
Using an Allen key remove top 2 caps from all screens uprights. Bring two partition towards one another and slide the 2 way connector rod - down between the two screen uprights.



02
Attach the top plates to the outside legs.



03
Build the centre legs without top plate.



04
Use the beams to connect the legs.

ASSEMBLY INSTRUCTIONS

Horizon Workstation 4 Person

Size: 1800mm

www.jasonl.com.au

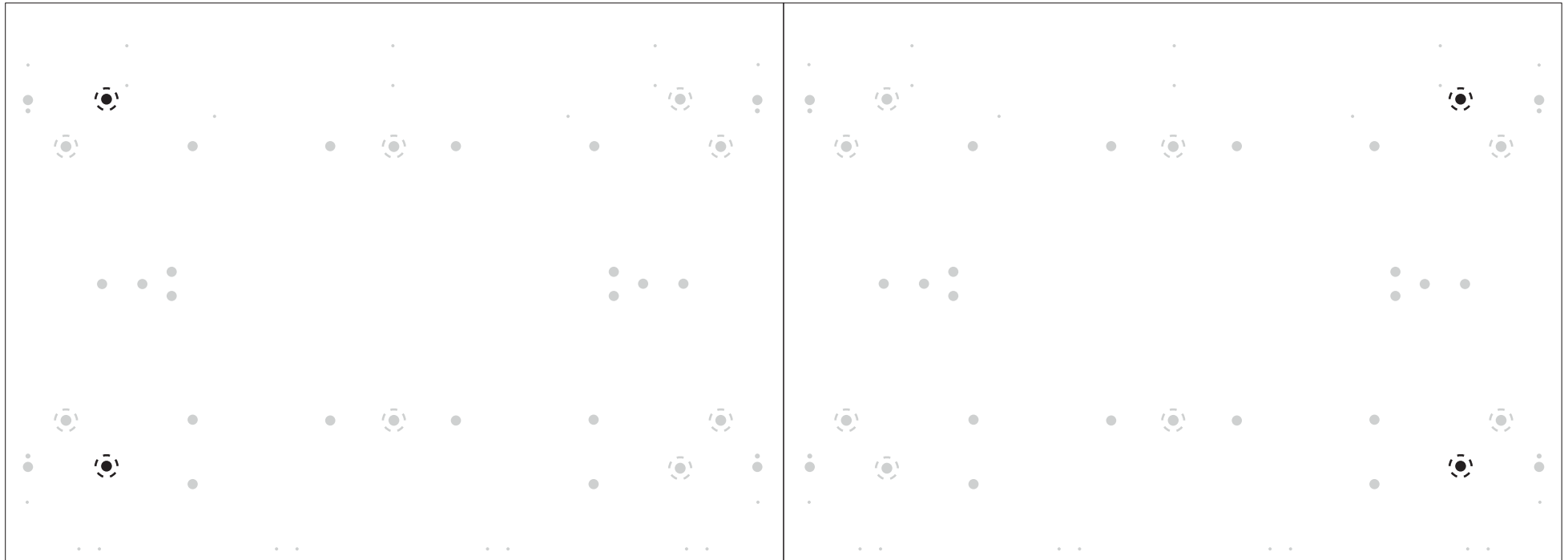
Need help!

Call us on
1300 527 665

jason.l
your office furniture mate



Table top representation:



Nut inserts and flat base screws to be used at holes identified with dotted lines.
Wood Screws to be used in centre of desks for middle leg.

ASSEMBLY INSTRUCTIONS

Horizon Workstation 4 Person

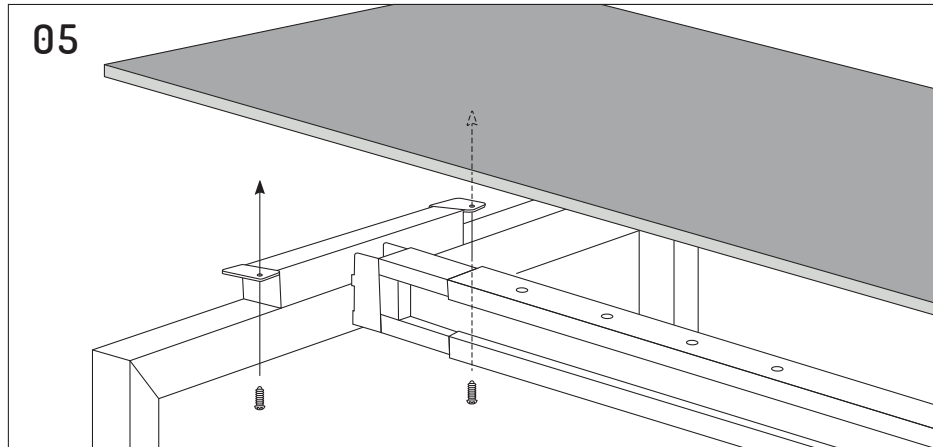
Size: 1800mm

www.jasonl.com.au

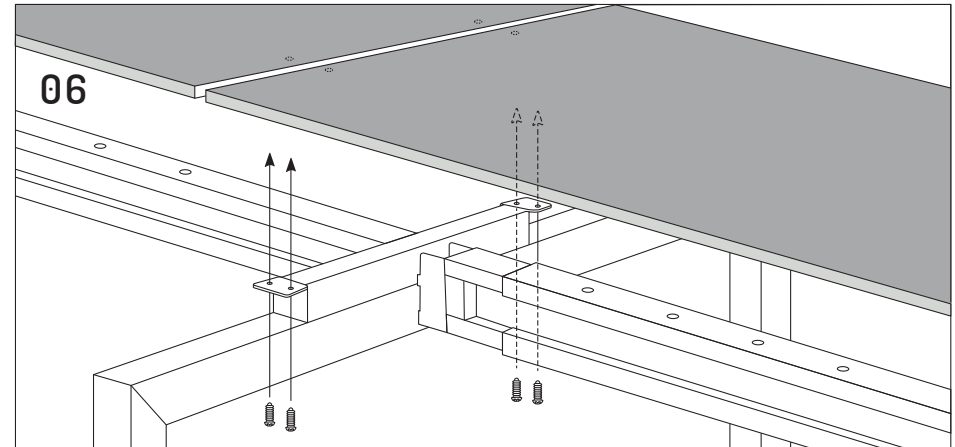
Need help!

Call us on
1300 527 665

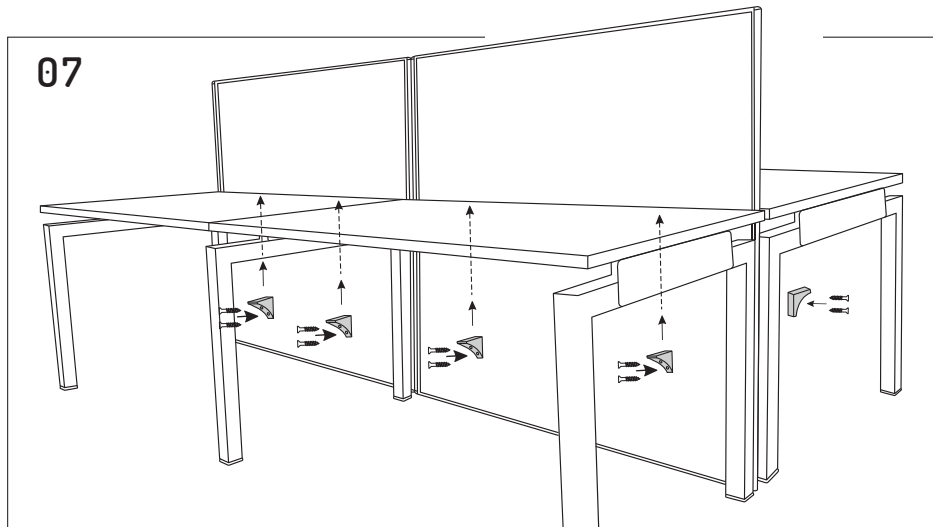
jason.l
your office furniture mate



Attach outer legs + beams to Desks Top by tightening Screws into nut inserts.



Attach middle legs + beams to Desks Top by tightening Screws.
Use woods screws, and ignore nut inserts here.



Under the desktops, use I-shaped panel brackets to secure the screens to the desktops. Place two brackets in each side of each screen (8 L-Shaped bracket in total).

