

## INSTALLATION GUIDE

# San Fran System 2 Person Workstation

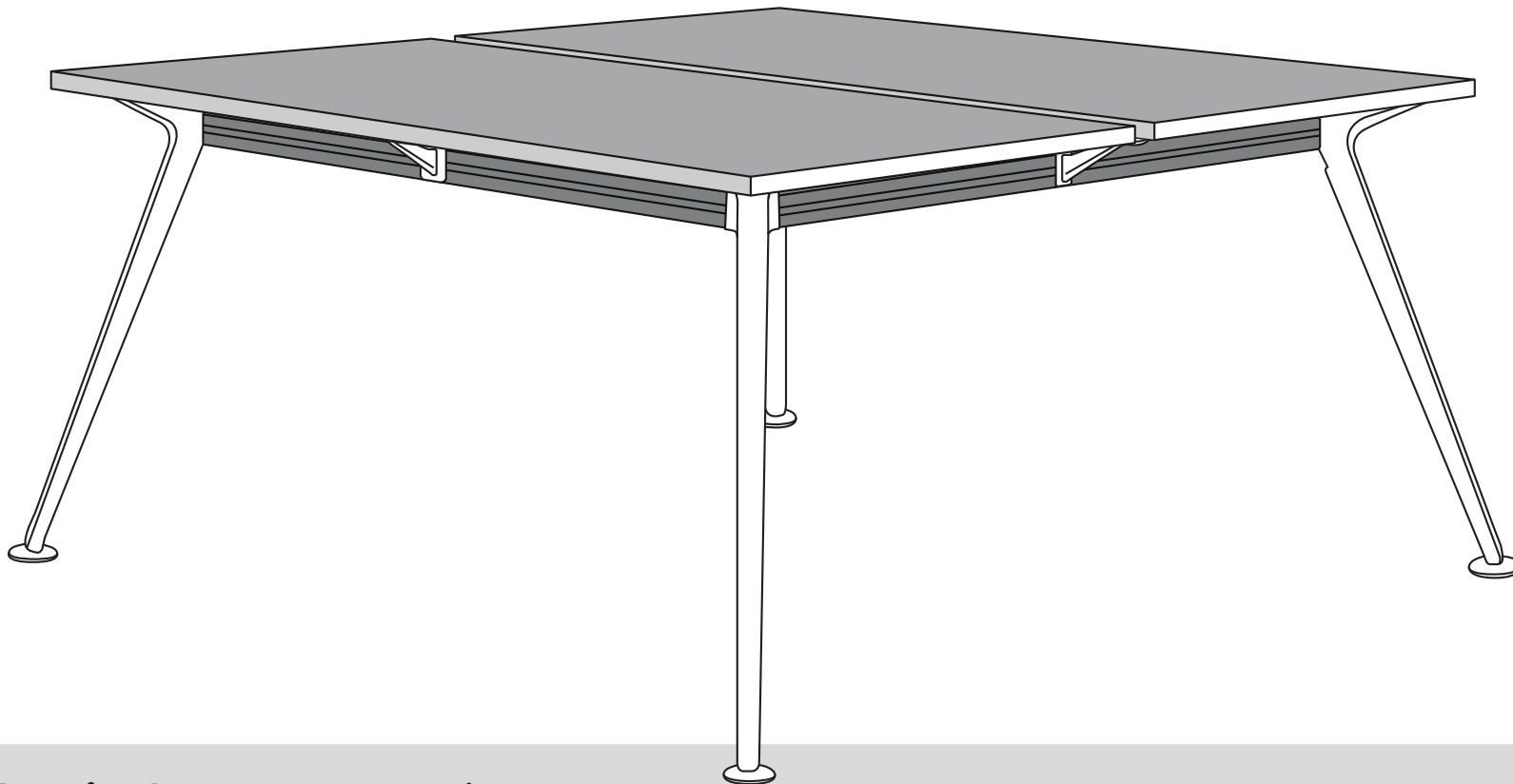
Size: 1800mm

[www.jasonl.com.au](http://www.jasonl.com.au)

**Need help!**

Call us on  
**1300 527 665**

**jason.l**  
your office furniture mate



**Tools Required:** Power screwdriver.

**Special Note:** No pre-drilled holes or nut inserts are provided.

Wood screws will be required to be drilled directly into underside of desk top.

## INSTALLATION GUIDE

# San Fran System 2 Person Workstation

Size: 1800mm

[www.jasonl.com.au](http://www.jasonl.com.au)

**Need help!**

Call us on  
**1300 527 665**

**jason.l**  
your office furniture mate

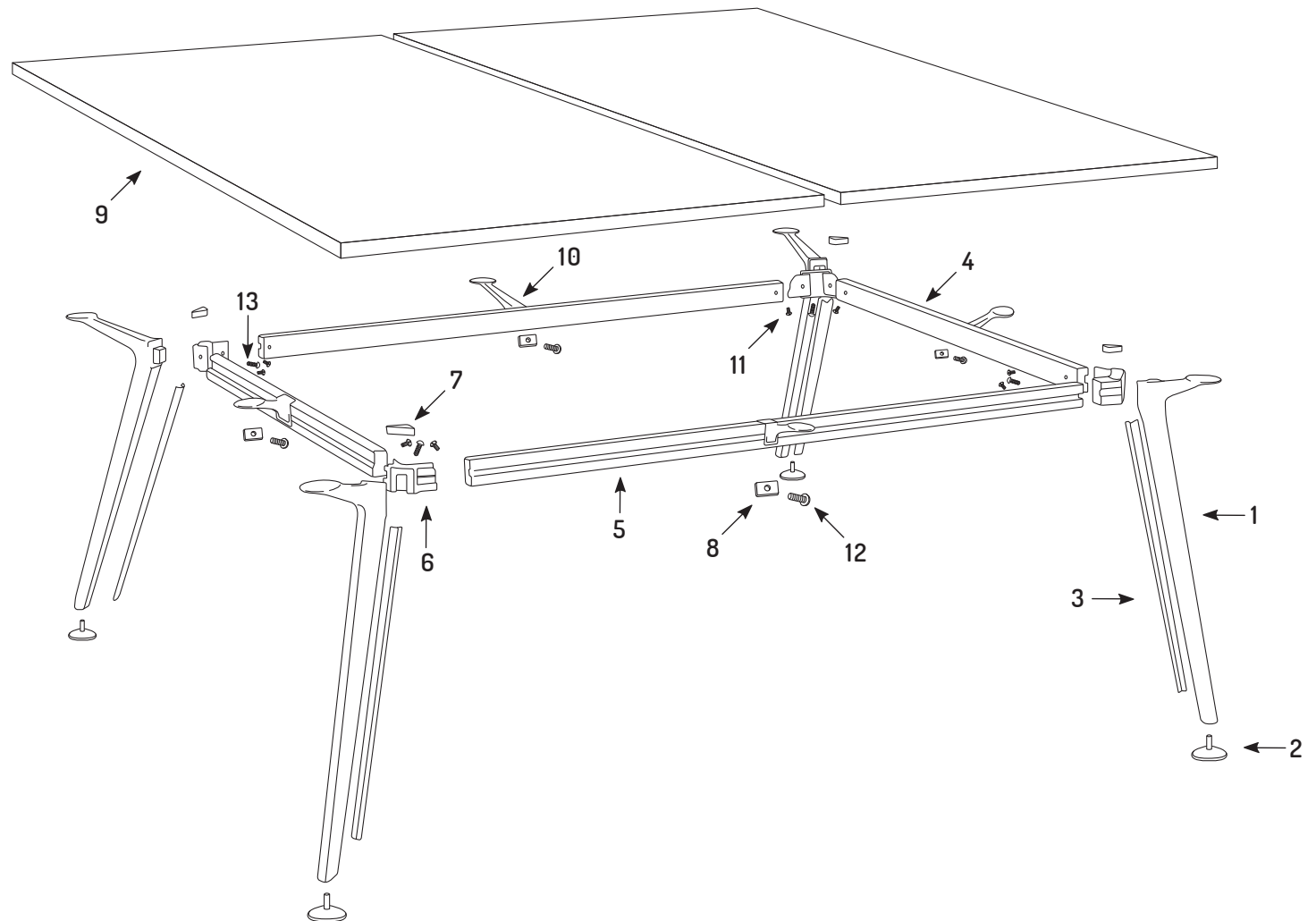


### COMPONENTS

- 1 Leg x4
- 2 Adjustable Foot x4
- 3 Leg Cable Cover x4
- 4 Rail Lengths x2 (1290mm)
- 5 Rail Widths x2 (620mm)
- 6 2 Way Connector x4
- 7 2 Way Connector Cap x4
- 8 Slot Nut x4
- 9 Table Top x2 (1800x800mm)
- 10 Support Connector x4

### SCREWS

- 11 M8x20mm Dome Head x8
- 12 M8x12mm Dome Head x4
- 13 M8x20mm Cap Head x4
- 14 M5x20mm Self Tapping x12



# INSTALLATION GUIDE

## San Fran System

### 2 Person Workstation

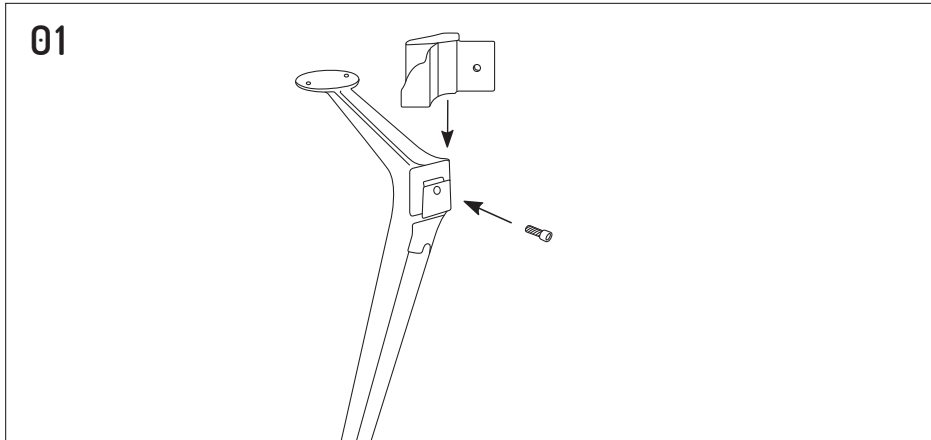
Size: 1800mm

[www.jasonl.com.au](http://www.jasonl.com.au)

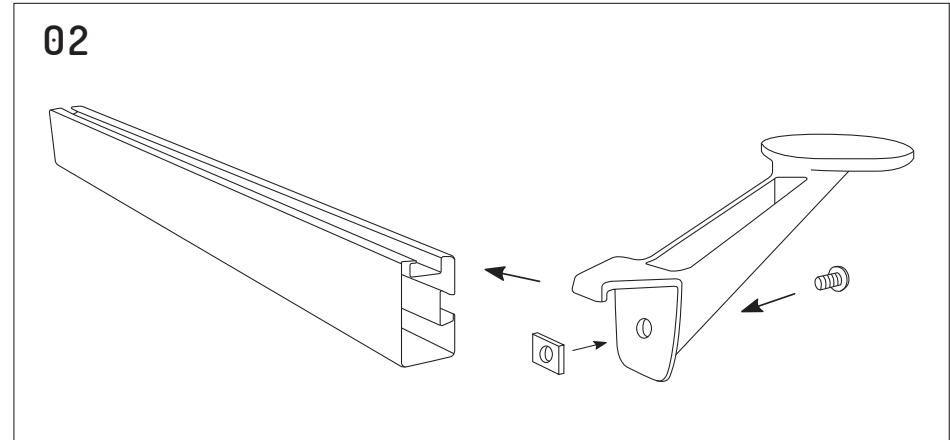
**Need help!**

Call us on  
**1300 527 665**

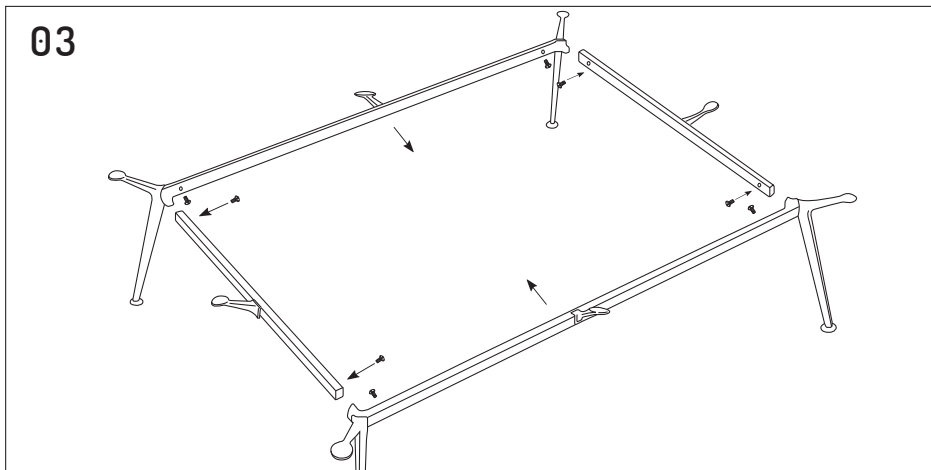
**jason.l**  
your office furniture mate



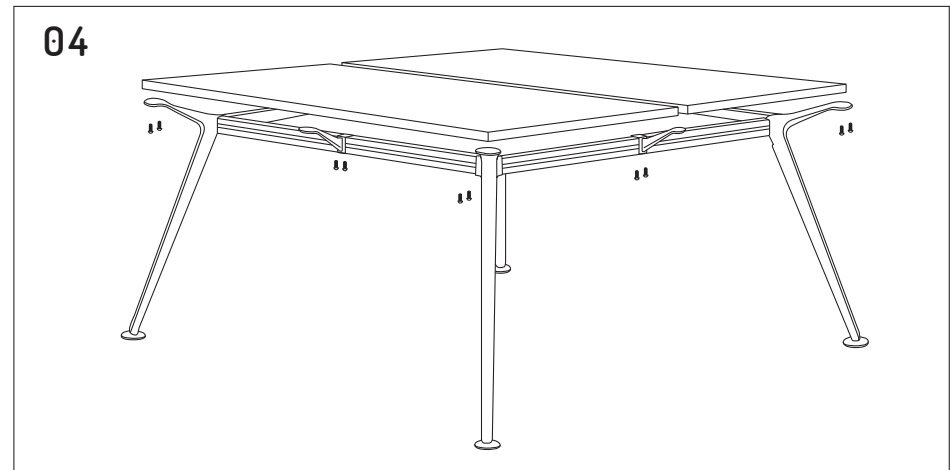
Slide the 2 way connectors over each leg, and securely lock into place using M8x20mm cap head bolts.



Loosely connect the shorter M8x12mm dome head bolt and slot nut through the metal rail spacer bracket. Slide onto 620mm rails and 1290mm.



Securely connect legs to rails lengths using the shorter M8x20mm dome head bolts.



Ensure the worksurface is centered over the frame. Fully tighten all M5x20mm self tapping screws through each leg and support bracket into the worksurface.

**INSTALLATION GUIDE**  
**San Fran System**  
**2 Person Workstation**

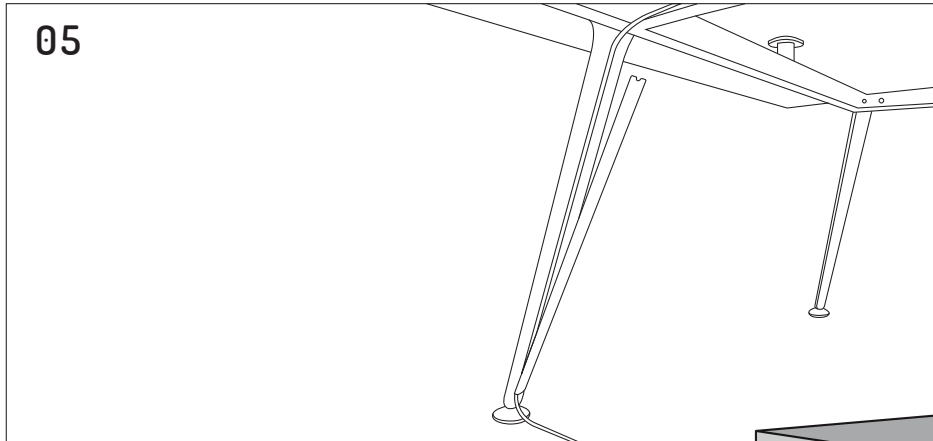
Size: 1800mm

[www.jasonl.com.au](http://www.jasonl.com.au)

**Need help!**

Call us on  
**1300 527 665**

**jason.l**  
your office furniture mate



Conceal any power cable using the magnetic leg cable covers.

