

# INSTALLATION GUIDE

## Switch Return

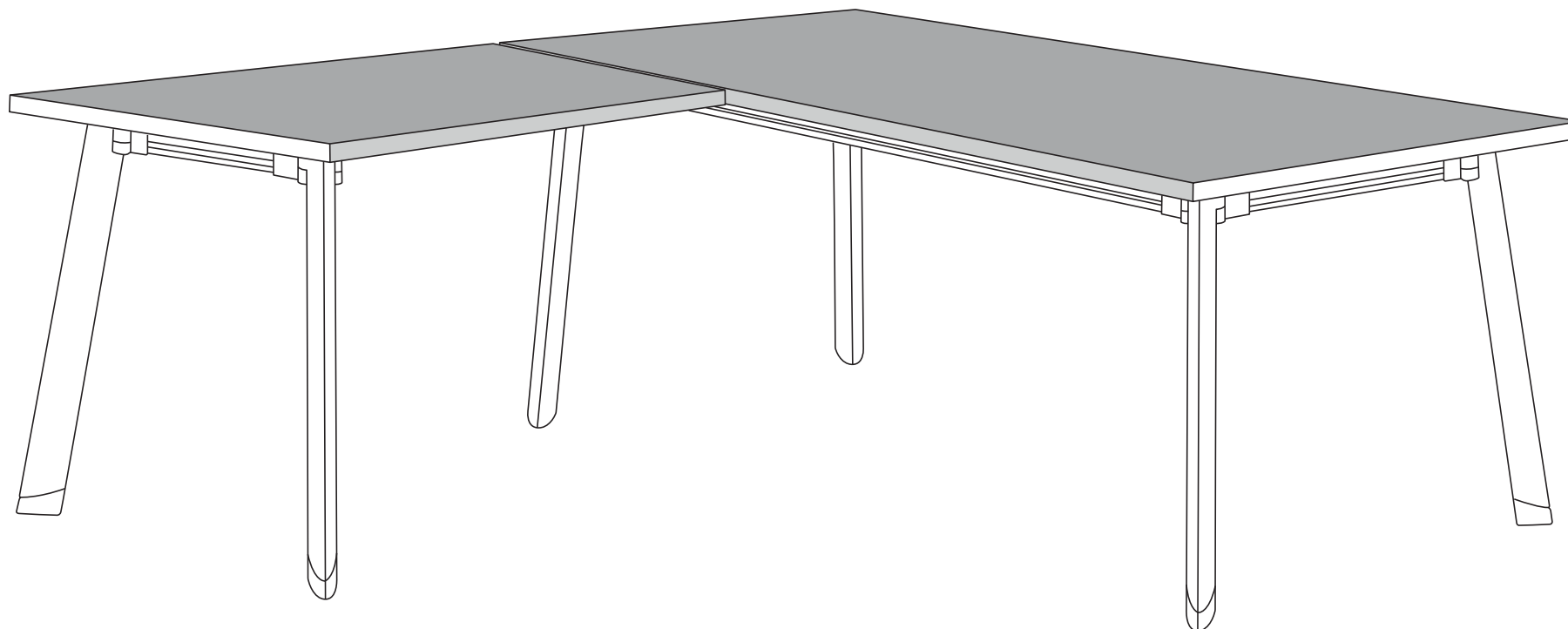
Size: 1000mm x 600mm

[www.jasonl.com.au](http://www.jasonl.com.au)

**Need help!**

Call us on  
**1300 527 665**

**jason.l**  
your office furniture mate



**Tools Required:** Power screwdriver.

**Note:** Please ignore any pre-drilled holes or nut inserts that maybe present in your top(s). They will not match your particular table/desk base and woods screws will be required to be screwed directly into the underside of the top.

**Note:** It is important to fully tighten all bolts and screws before attaching the top(s) so that the frame is sufficiently rigid. Failure to do this may affect stability once the tops are attached.

# INSTALLATION GUIDE

## Switch Return

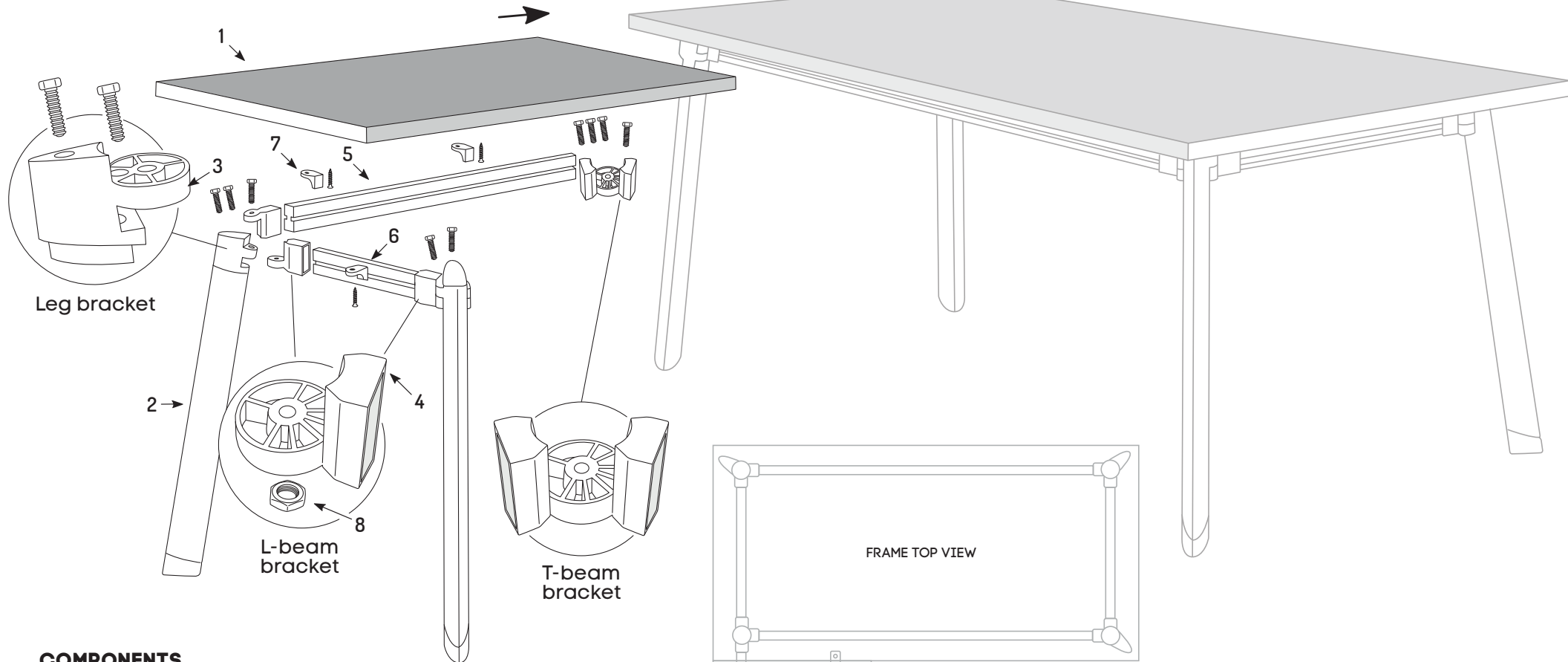
Size: 1000mm x 600mm

[www.jasonl.com.au](http://www.jasonl.com.au)

**Need help!**

Call us on  
**1300 527 665**

**jason.l**  
your office furniture mate



### COMPONENTS

- 1 Table Return
- 2 Leg x2
- 3 Leg Bracket x2
- 4 Beam Bracket x2
- 5 Long Beam x1 (900mm)
- 6 Short Beam x1 (125mm)
- 7 L-Bracket x3

### SCREWS

- 8 Hex Nut x3
- 9 L-Bracket screws x3
- 10 Hex Head screws x10
- 11 M8x25mm Dome Head x3

# INSTALLATION GUIDE

## Switch Return

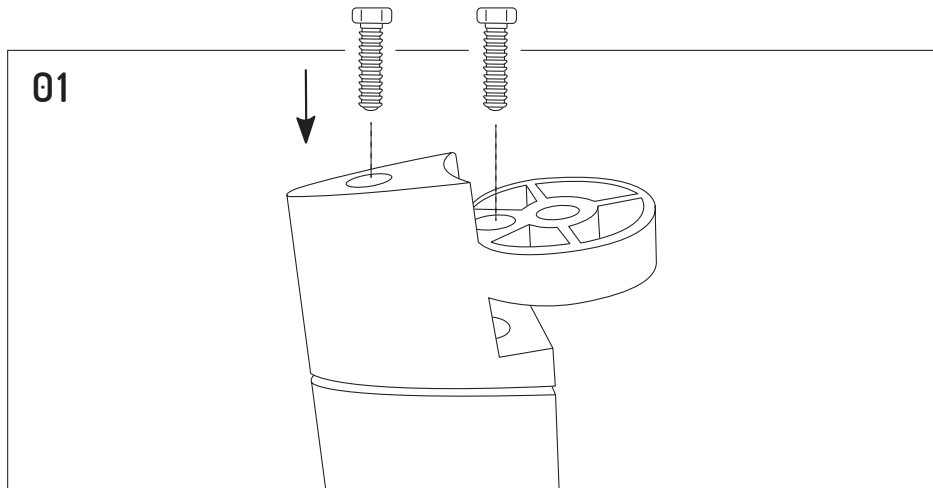
Size: 1000mm x 600mm

[www.jasonl.com.au](http://www.jasonl.com.au)

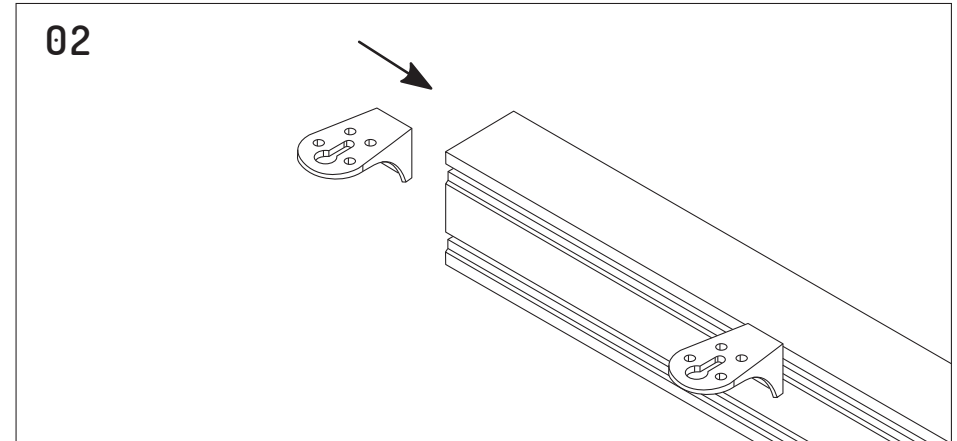
**Need help!**

Call us on  
**1300 527 665**

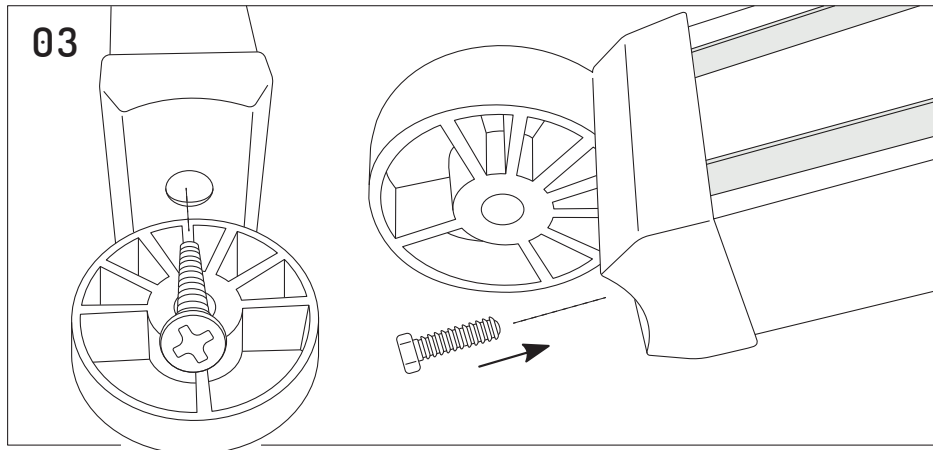
**jason.l**  
your office furniture mate



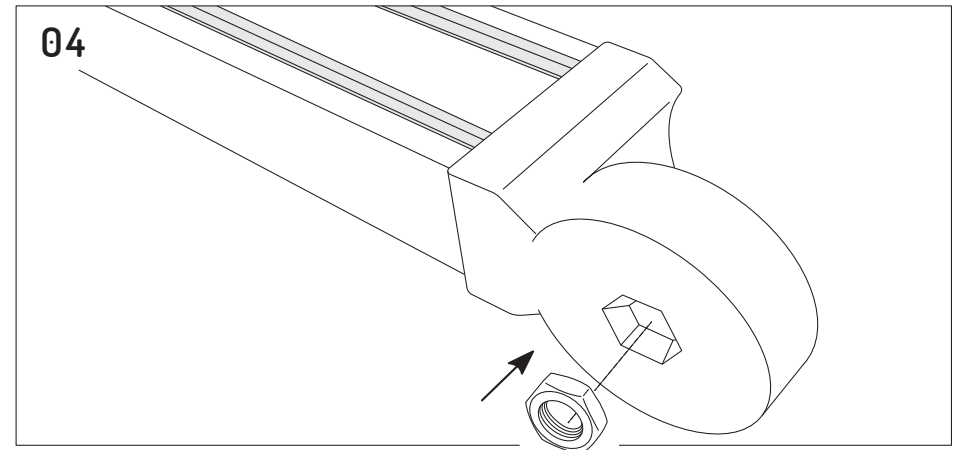
Join Leg Brackets to each Leg using screws to secure them, as follow.



Join 2 L-Bracket through each Long Beam and 1 L-Bracket through each Short Beam.



Securely connect each Beam to each Beam Bracket. Screw to secure.



Insert Hex Nut on each Beam Bracket.

# INSTALLATION GUIDE

## Switch Return

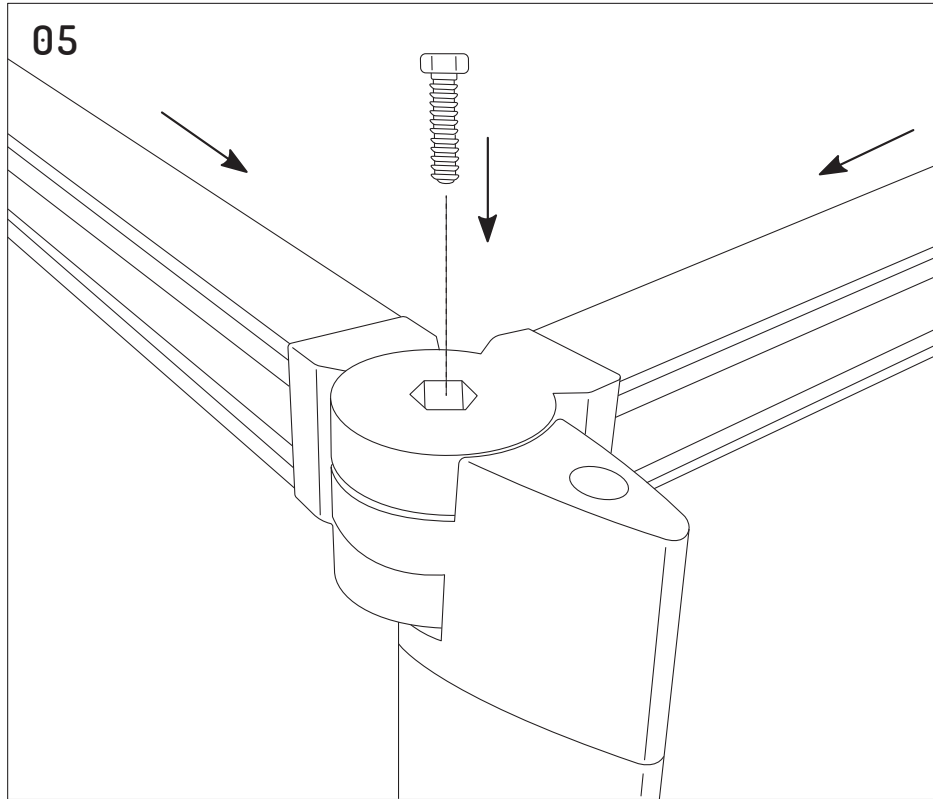
Size: 1000mm x 600mm

[www.jasonl.com.au](http://www.jasonl.com.au)

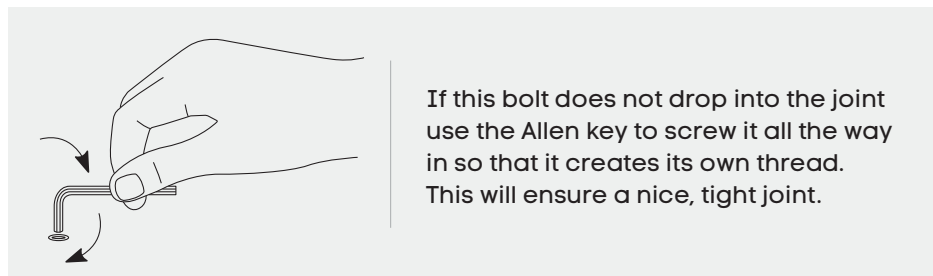
**Need help!**

Call us on  
**1300 527 665**

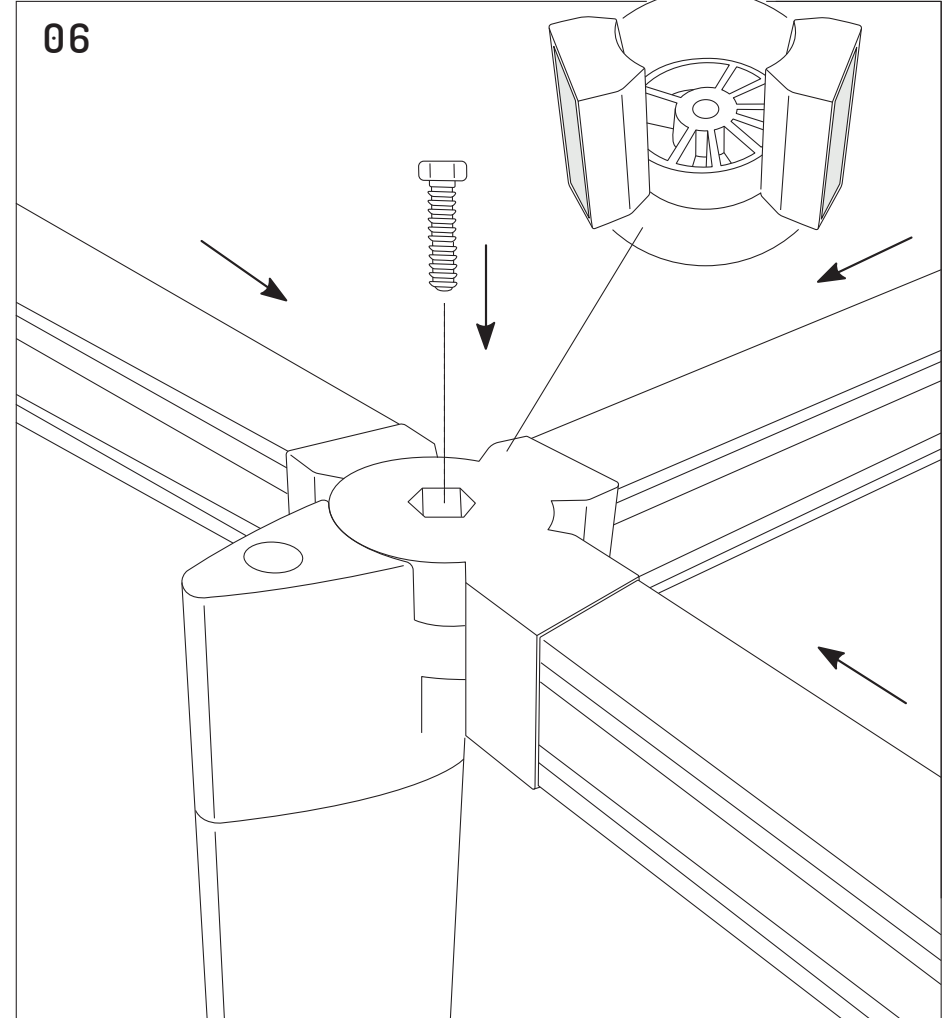
**jason.l**  
your office furniture mate



Position as presented, and proceed to screw to ensure each corner of the frame.



If this bolt does not drop into the joint use the Allen key to screw it all the way in so that it creates its own thread. This will ensure a nice, tight joint.



For the T central leg, attach as presented, using T Beam Bracket.

# INSTALLATION GUIDE

## Switch Return

Size: 1000mm x 600mm

[www.jasonl.com.au](http://www.jasonl.com.au)

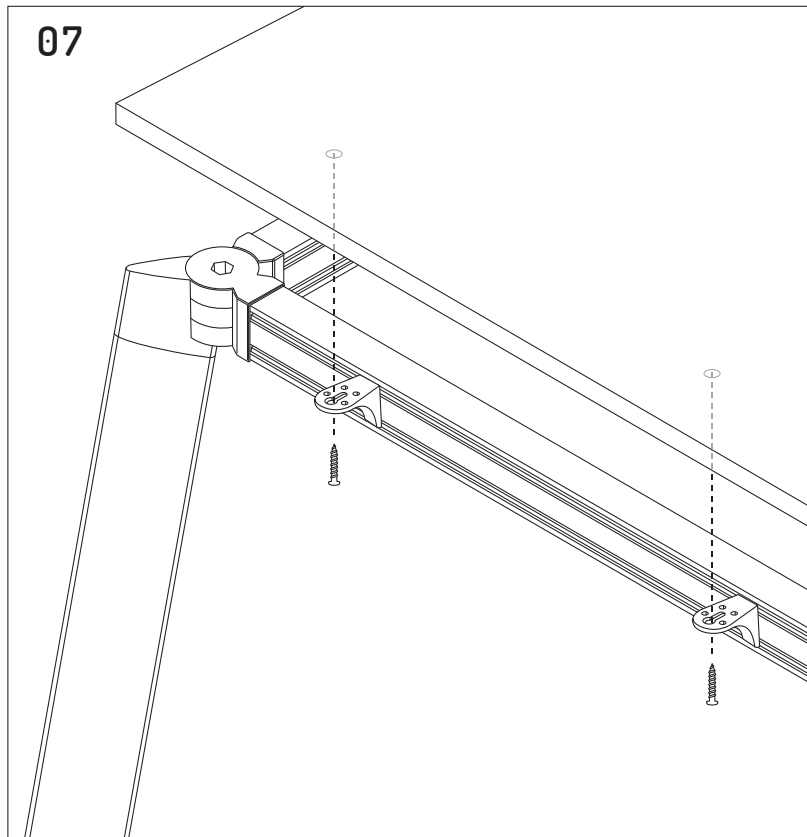
**Need help!**

Call us on  
**1300 527 665**

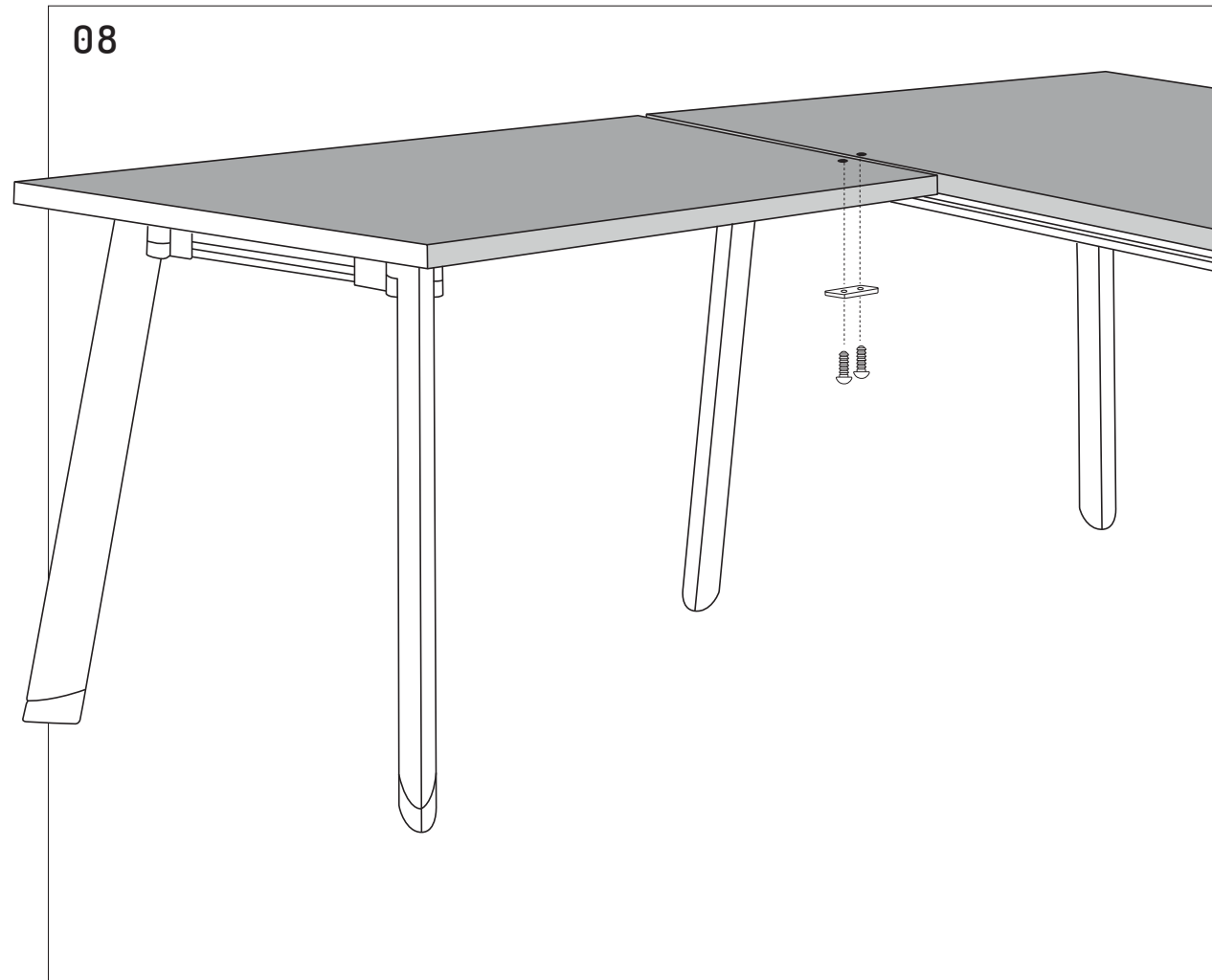
**jason.l**  
your office furniture mate



**Note:** It is important to fully tighten all bolts and screws before attaching the top(s) so that the frame is sufficiently rigid. Failure to do this may affect stability once the tops are attached.



Directly screw into return table top, using L-Bracket screws through each L-Bracket.



Attach the return structure to the main desk by screwing the tables through Joiner plate.

**INSTALLATION GUIDE**  
**Switch Return**

Size: 1000mm x 600mm

[www.jasonl.com.au](http://www.jasonl.com.au)

**Need help!**  
Call us on  
**1300 527 665**

**jason.l**  
your office furniture mate

