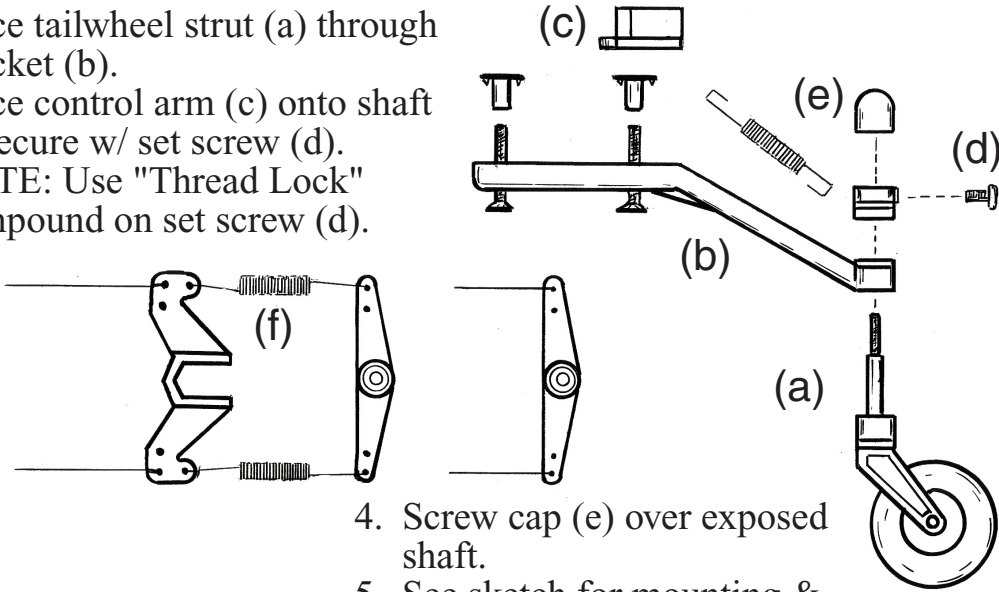
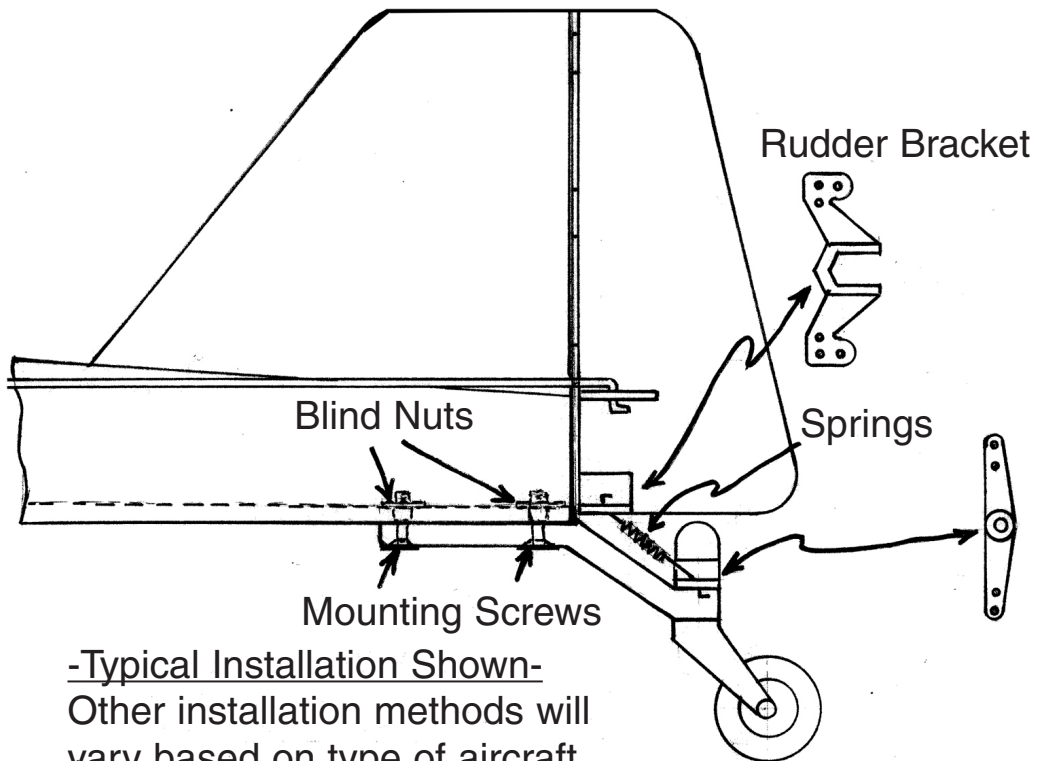


Semi-Scale Tailwheel System

1. Place tailwheel strut (a) through bracket (b).
2. Place control arm (c) onto shaft & secure w/ set screw (d).
3. NOTE: Use "Thread Lock" compound on set screw (d).



4. Screw cap (e) over exposed shaft.
5. See sketch for mounting & spring (f) attachments.



-Typical Installation Shown-
 Other installation methods will vary based on type of aircraft, construction, etc.