

# Stealth Illuminator

## IR High Output Vehicle Light

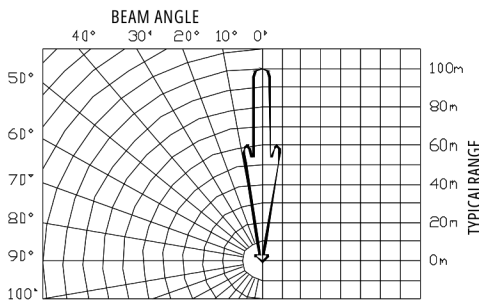


**PRODUCT NUMBER**  
**02710**

### TECHNICAL SPECIFICATIONS

POWER REQUIREMENT	12Vdc TO 30Vdc (Typ. 24Vdc)
POWER CONSUMPTION	Max. 2.5W at 24Vdc
LOW OUTPUT INTENSITY	225mW/sr
HIGH OUTPUT INTENSITY	896mW/sr
WIRE TYPE	AWG #20 COPPER, POLYETHYLENE
WIRE SPECIFICATION	Automotive SAE J1128-SXL
PROTECTIVE SLEEVE	PVC CONDUIT 3/8"
WIRE LENGTH	16" (40cm) from Housing to wire end
HOUSING	ZINC PLATED CARBON STEEL TUBE
THREADED BASE	STAINLESS STEEL HEX BAR M8
DOME LENS	HIGH IMPACT POLYCARBONATE
OUTER DIMENSION	Dia. 1.5" (38.1mm) x 3.5" (88.9mm)
HOUSING FINISH	BLACK, MATTE SATIN POWDER COATED
WEIGHT	16oz (451g)
OPERATING TEMPERATURE	-40° TO +65° Celsius
STORAGE TEMPERATURE	-40° TO +80° Celsius
ENVIRONMENTAL SEAL	FULLY ENCAPSULATED UNIT, EPOXY
WATERPROOF RATING	IP68
VISIBILITY RANGE	16° / 100M

### Radiation Characteristics \*



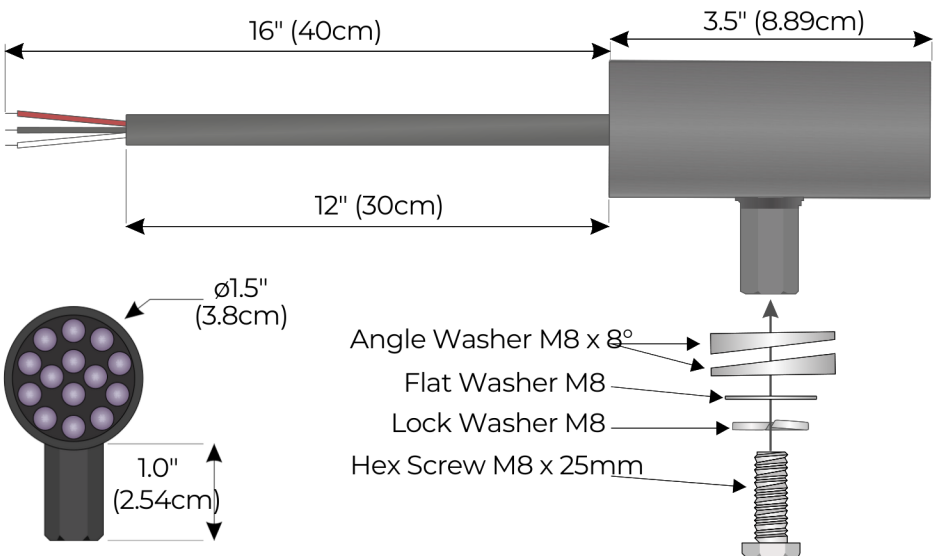
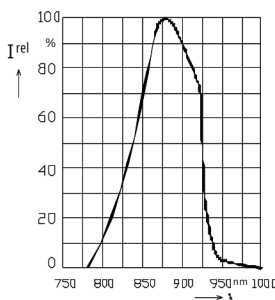
RELATIVE INTENSITY

NOTES:

- 1- Beam radiation angle values are based on the relative intensity values.
- 2- The relative intensity values are based on 896mW/sr.
- 3- The beam radiation angle values are based on 225mW/sr.

Results may vary depending on type of NV equipment.

### Spectral Emission



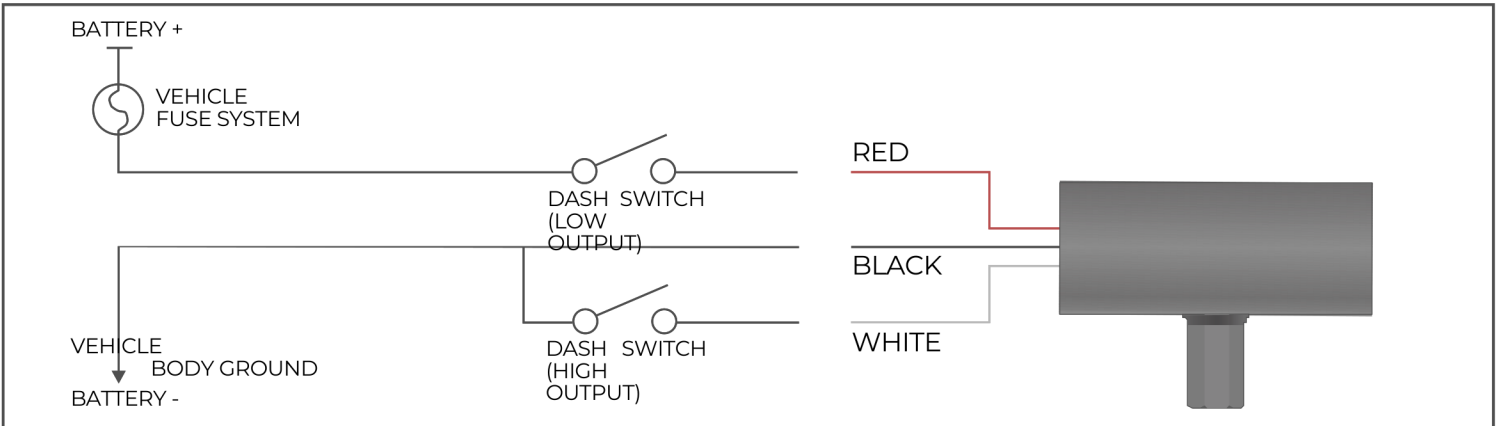
- |              |          |                                  |
|--------------|----------|----------------------------------|
| FIXING SCREW | (QTY: 1) | M8 x 25mm, STEEL ZINC PLATED     |
| LOCK WASHER  | (QTY: 1) | M8 SPLIT LOCK, STEEL ZINC PLATED |
| FLAT WASHER  | (QTY: 1) | M8 FLAT, STEEL ZINC PLATED       |
| ANGLE WASHER | (QTY: 2) | M8 x 8° CAST IRON, GALVANIZED    |

\*REPLACEMENT HARDWARE PART KIT IS AVAILABLE UNDER P/N: 02700

# Stealth Illuminator

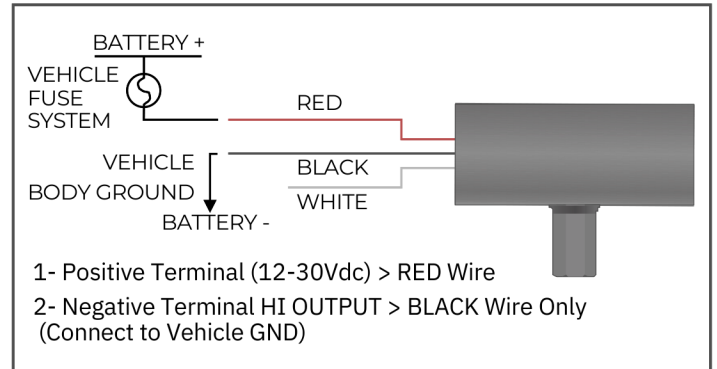
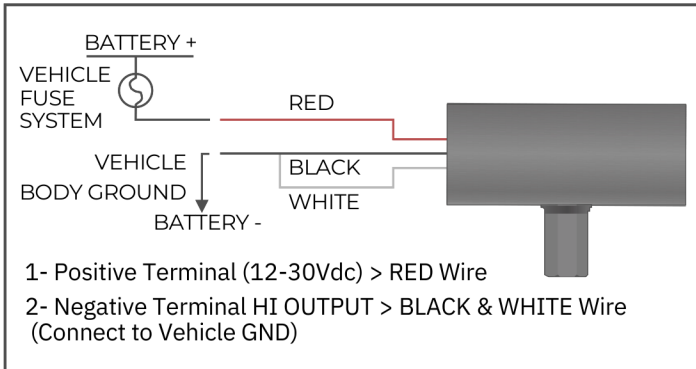
## IR High Output Vehicle Light

### WIRING DIAGRAMS - DUAL INTENSITY

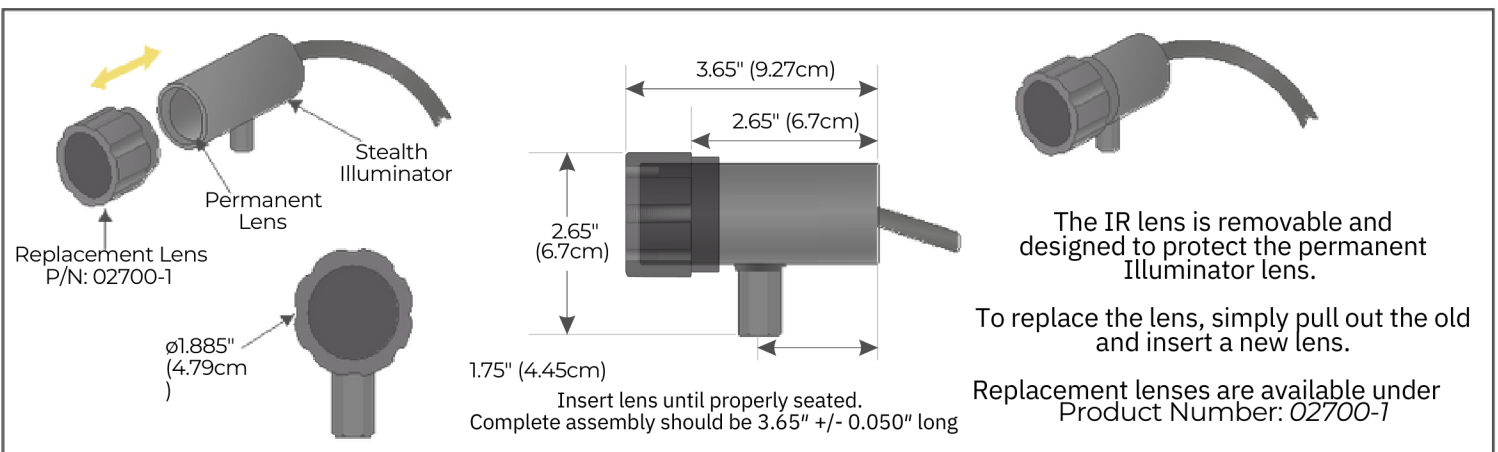


#### HIGH INTENSITY ONLY

#### LOW INTENSITY ONLY



### REPLACEABLE COVER LENS



ANGLE WASHER DiN 434-8%



Standard Set-Up



0° Horizontal



1 Angle Washer



4.5° Down



2 Angle Washers



9° Down

*\*Stealth Illuminators are provided with two (2) Beveled Washers. The Alignment can be performed using additional Bevelled Washers DiN 434-8% or others, available in most local hardware stores or from Adventure Lights directly.*