

TECHNICAL SPECIFICATIONS

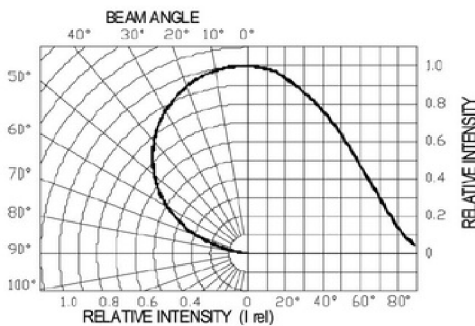


POWER SOURCE	12VDC
OPTIONAL POWER SOURCE	Car plug
HOUSING COLORS AVAILABLE	BLACK
HOUSING MATERIAL	HIGH-TECH POLYMER
HOUSING FINISH	All, BLACK, MATTE
DOMELENS	HIGH IMPACT POLYCARBONATE, Black
OPERATING TEMPERATURE	-40 to +60°C / -40 to +140°F
STORAGE TEMPERATURE	-40 to +80°C / -40 to +175°F
ENVIRONMENTAL SEAL	FULLY ENCAPSULATED UNIT
WATERPROOF RATING	10ft (3.05 meters)
VISIBILITY RANGE	2000 Ft. Altitude @ Over 3 Nautical Miles
LIGHT OUTPUT	Over 180 Sr/W throughout 120° x 360°

PRODUCT NUMBER

47200

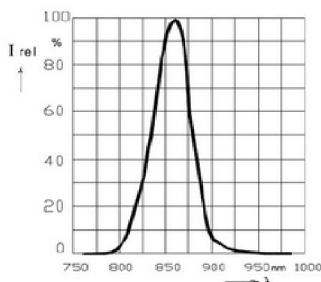
Radiation Characteristics *



- NOTES:**
- 1-Beam radiation angles are based on theoretical IR emitter values
 - 2-Relative Intensity values are based on 896mW/sr output
 - 3-Typical Illumination ranges are based on Adv. Lights proprietary field test results using night vision equipment. Results may vary depending on type of NV system used.



Spectral Emission



**Hard-Wired
(Permanent Installation)**



P/N:47200

**Plug Option
(Temporary Installation)**



P/N:47200-PLUG

Specifications subject to change without prior notice

DOC.ID:P-PS-47200r0

The unique Lighthouse[®] Vehicle Beacon features the smallest, most powerful near-IR (NIR) emitter with an integrated magnetic base and vehicle power adapter plug. Each unit is pre-programmed to emit a distinctive flash pattern to help identify different vehicles in a convoy or operation. These beacons allow for easy identification of law enforcement or other government agents from the air.

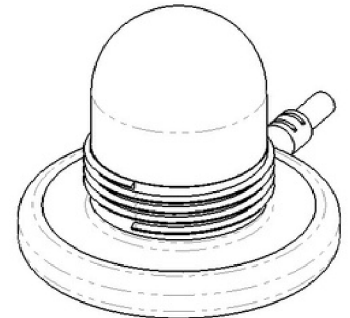
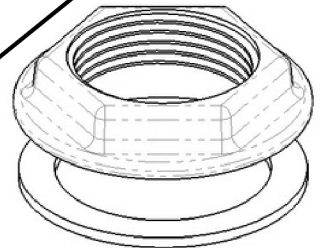
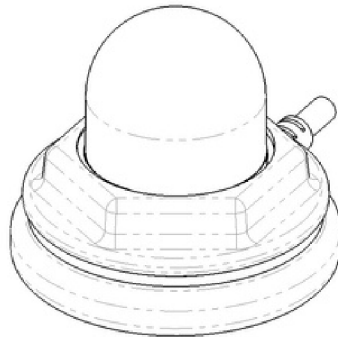
**Hard-Wired
(Permanent Installation)**



**Plug Option
(Temporary Installation)**



Temporary Installation



Permanent Installation

Comes In Kits of 10, Each With Distinctive Flash Pattern



1	• — — — —
2	• • — — —
3	• • • — —
4	• • • • —
5	• • • • •
6	— • • • •
7	— — • • •
8	— — — • •
9	— — — — •
0	— — — — —