

Gospel Light



*"Love must be sincere.
Hate what is evil;
cling to what is good."*

teacher guide

PRETEEN | Grades 5 & 6 • Ages 10-12

Gospel Light's
the edge

contents

GOSPEL LIGHT SUNDAY SCHOOL CURRICULUM

Senior Managing Editor, Sheryl Haystead • Senior Editor, Deborah Barber • Editorial Team, Mary Davis, Rachel Hong • Contributing Editors, Amanda Abbas, Darlene Anaya, David Arnold, Suzanne Bass, Janis Caverlee, Anne Clay, Cathy Coultrup, Joe Cox, Beverly Crosby, Shirley Garcia, Kevin Gordon, Debra Gray, Martha Jennings, Jean Jordan, Lynnette Pennings, Rey Sirakavit, Sally Sue Tobias, Sunday Ulrich, Jeni Vargas, Tammy Wise-DiPerna • Art Directors, Lenndy McCullough, Christina Renée Sharp, Samantha A. Hsu • Designer, Christina Renée Sharp

Founder, Dr. Henrietta Mears • Publisher, William T. Greig • Senior Consulting Publisher, Dr. Elmer L. Towns • Senior Consulting Editor, Wesley Haystead, M.S.Ed. • Senior Editor, Biblical and Theological Issues, Bayard Taylor, M.Div.

Scripture quotations, unless otherwise indicated, are taken from the *Holy Bible, New International Version*®. Copyright © 1973, 1978, 1984 by International Bible Society. Used by permission of Zondervan Publishing House. All rights reserved. The other version used is *KJV—King James Version*. Authorized King James Version.

© Gospel Light. It is illegal to photocopy or reproduce this material in any form.

Unit 1 Friends and enemies

FOCUS

God's Word teaches us how to be good friends with others and to show God's love to our enemies.

UNIT 1 Bible passage

Romans 12:9-14,21



Lesson 1 • page 1

Brotherly Love - 1 Samuel 18:1-4; 19:1-7; 20; 2 Samuel 1; 9

Lesson 2 • page 9

Cling to Goodness - 1 Samuel 24

Lesson 3 • page 17

A Blessing - Acts 8:3; 9:1-31

Lesson 4 • page 25

Overcome Evil - 2 Kings 6:8-23

Unit 2 security

FOCUS

Our security comes from God.

UNIT 2 Bible passage

Psalm 57:1-3,10



Lesson 5 • page 33

Refuge in Disaster - 1 Kings 17:1-16; 18:4

Lesson 6 • page 41

Only True God - 1 Kings 18:7-46

Lesson 7 • page 49

God Is Faithful - Job

Lesson 8 • page 57

Great Is Your Love - Esther

Unit 3 Priorities

FOCUS

Nothing is more important than loving God and trusting in Him.

UNIT 3 Bible passage

Matthew 6:19-21,24



Lesson 9 • page 65

Treasures in Heaven - Proverbs 16:8, 16; 17:1; Ecclesiastes 5:10-20



Lesson 10 • page 73

The Rich Fool - Luke 12:13-21

Lesson 11 • page 81

Rich Young Man - Matthew 19:16-26

Lesson 12 • page 89

Achan's Greed - Joshua 6:1-20; 7—8

Lesson 13 • page 97

Abraham's Choice - Genesis 13

FOCUS ON evangelism



Sessions marked with this symbol provide special opportunities to reach out to children and their families with the good news of Jesus.

Leading a Student to Christ
page 105

Activity Overview

Materials

Small Group Discovery

5-15 minutes

Goal: Discover reasons why people become friends

Option A

Toss paper plates like Frisbees to show ways students are alike

Option B

Play a board game to discuss characteristics of good friends

Option A: Paper plates, markers

Option B: Lesson 1 *Student Guide* pages, paper clips, game markers, pencils

Lesson 1 ★ Unit 1
Friends and Enemies
Brotherly Love

Large Group Study

20-30 minutes

Goal: Understand that God wants true friends to care for and protect each other just as they care for themselves

Character Study

Study 1 Samuel 18:1-4; 19:1-7; 20; 2 Samuel 1; 9 to find ways David and Jonathan showed true friendship

Skit Option

Read a skit about why Jonathan would make a good friend to David

Unit Bible Passage

Read Romans 12:9-14,21 and identify ways to treat others

Character Study: Bibles

Skit Option: Lesson 1 *Student Guide* pages

Unit Bible Passage: Romans 12 Poster from *Poster Pack*

Small Group Application

20-30 minutes

Goal: Identify and plan ways to be true friends

Discussion Option

Talk about characteristics of true friends

Active Option

Complete a variety of games with a friend's help

Art Option

Create frames and decorate names of friends

Discussion Option: Bibles, Lesson 1 *Comics*

Active Option: Bibles, balloons, scarves or fabric strips at least 21 inches (53.5 cm) in length

Art Option: Bibles, poster board, scissors, measuring stick, pencils, stapler, glue, decorating materials, paper, markers

Distribute copies of the *Sonic Edge #1* CD to students!

Be a true friend!



Character Study

1 Samuel 18:1-4; 19:1-7; 20; 2 Samuel 1; 9

David and Jonathan remained faithful friends, even though others thought they should have been enemies.

Unit Bible Passage

Romans 12:9-14,21

NIV: "Love must be sincere. Hate what is evil; cling to what is good. Be devoted to one another in brotherly love. Honor one another above yourselves. Never be lacking in zeal, but keep your spiritual fervor, serving the Lord. Be joyful in hope, patient in affliction, faithful in prayer. Share with God's people who are in need. Practice hospitality. Bless those who persecute you; bless and do not curse. Do not be overcome by evil, but overcome evil with good."

KJV: "Let love be without dissimulation. Abhor that which is evil; cleave to that which is good. Be kindly affectioned one to another with brotherly love; in honour preferring one another; Not slothful in business; fervent in spirit; serving the Lord; Rejoicing in hope; patient in tribulation; continuing instant in prayer; Distributing to the necessity of saints; given to hospitality. Bless them which persecute you: bless, and curse not. Be not overcome of evil, but overcome evil with good."



A true friend is a fine and amazing gift—a person who knows you (even your faults) and loves you anyway! A good friend understands you, cares about you and makes you feel refreshed simply by being with you. Even the most tedious task is easier to do when a good friend is with you.

Because a true friend is so valuable, the careful cultivation and attention it takes to grow a true friendship is well worth the effort!

The word "friend" comes from a combination of Old English words meaning "to love freely." All genuine friendship begins with God; He is our ultimate friend because His love for us is absolutely free—no strings attached! He must be the source of our human friendship; otherwise, we try to love each other out of our own strength. When our love fails, we substitute the world's kind of surface love that isn't love at all but self-interest disguised as sentiment. The Bible tells us, "Love must be sincere" (Romans 12:9). To be true friends, we must first receive God's freely given love for us so that we can then let His love flow through us to others freely and genuinely.

This Bible study demonstrates the power of sincere love and true friendship. Jonathan and David made vows of friendship to each other that revealed their deep affection and loyalty. Even when it cost them dearly, they remained faithful. You can help your preteens learn to be true friends in two ways: First, point them to the best friend ever—Jesus Christ. Second, be an example of genuine friendship and loyal love for each of them; your actions will teach them more about true friendship than your words alone ever could!



Option 2 Common Ground

Materials

Paper plates, markers.

Procedure

1. What are some things you like to do with your best friend?

Distribute paper plates and markers.

Students write their names on paper plates.

Let's play a game to think about some other things you like to do.

Students stand in the middle of the room. Ask one of the questions below and give two to four possible answers, pointing to a different location (on the table, under the chalkboard, next to the bookshelf, etc.) for each answer.

- **What is your favorite sport?** (Soccer. Figure Skating. Baseball. Hockey.)
- **What do you like to do for fun?** (Build something. Walk the dog. Talk on the phone. Bake cookies.)
- **What is your favorite movie?** Name movies students may have seen recently.
- **Who would you like to spend time with?** (A good friend. A pet. A TV star. A musician.)
- **What is your favorite ice cream flavor?** (Rocky Road. Chocolate Mint. Vanilla. Bubble Gum.)
- **Where would you like to go for vacation?** (Beach. Mountains. Aquarium. Zoo.)

2. For each question, students toss paper plates like frisbees, attempting to have plates land in designated areas to show their answers to each question. Students quickly retrieve their plates. Repeat with additional questions.

Small Group Discovery

5-15 minutes

Goal: Discover reasons why people become friends

3. Conclude the activity by saying,
 - **Often, we become friends with people who like the same kinds of things we do.**
 - **What are some other reasons people might become friends?** (Go to the same church. Attend the same school.)
 - **In our Bible study today, we'll find out about two people who became friends, even though they really didn't have much in common with each other.**

teaching tip

If several small groups meet in one room, play game as a large group and then divide into small groups to conclude the activity.

mentoring tip

Participate in this activity along with students in order to build relationships with them. As new students arrive, model appropriate interaction by introducing yourself and other students to each new arrival and inviting the new student to join in the activity.



Option b best friends



Materials

Lesson 1 *Student Guide* pages, paper clips, game markers (coins, buttons, etc.), pencils.

Procedure

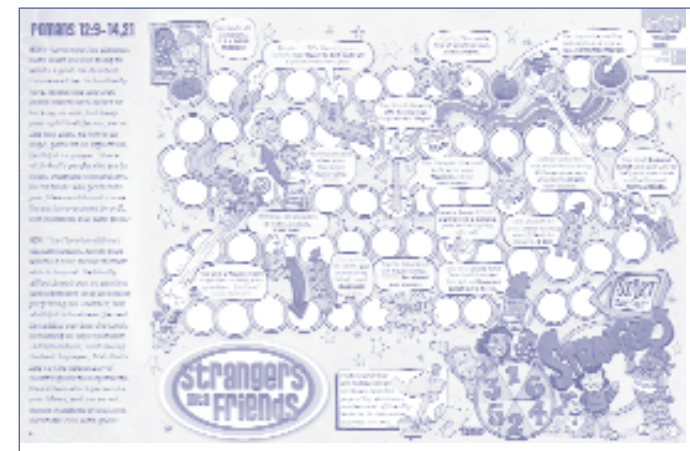
1. As students arrive, distribute *Student Guide* pages, paper clips, game markers and pencils.
2. In pairs, students play game on pages 1 and 4 of the *Student Guide* page, using a paper clip and pencil to make a spinner as shown on the page. Students take turns spinning and moving the indicated number of spaces and following the directions on the game-board path.
3. Several minutes before time is up, end the game and ask the questions below.
 - Why do you think people like to have friends?
 - What do you think is important for a friend of yours to do? (Be kind. Like to do stuff I like to do. Be willing to help me. Listen to me. Care about me. Laugh with me.)
 - What are some reasons that people become friends? (They like the same things. They have had some of the same experiences. They are on the same team or in the same class.)
 - What are some things that slowed you down along the game path? What might happen to a friendship if that happened in real life? Why?
 - What are some things that moved you ahead on the path? How do you think that action might help a friendship you have?

4. Conclude the activity by saying,

- Today we are going to learn about two people who became friends.
- See if you can find several reasons why they might have become friends and why they kept on being friends for their whole lives.

Enrichment idea

Pairs of students select situations suggested on the game-board path and then take turns acting out situations in which kids can show friendship. **Tech Tip:** Videotape students acting out situations and then play back video for students to enjoy.



Character Study

brotherly love

1 Samuel 18:1-4; 19:1-7; 20;
2 Samuel 1; 9

Materials

Bibles, Romans 12 Poster from *Poster Pack*; optional—Lesson 1 *Student Guide* pages, *Sonic Edge #1* CD and player, *Extra Edge #1* DVD and player, dictionary.

Lead students to read and discuss the Bible verses listed. Extend the discussion with the questions and comments provided, and refer to the poster as indicated.

introduction Think about some of your friends. Did you become friends right away, or did it take time? The friendship of David and Jonathan, two faithful friends we read about in the Old Testament, began soon after they met.

Let's read (watch) a skit to find out about the best friends we'll be studying today. Distribute *Student Guide* pages. Let volunteers choose parts for the skit on pages 2 and 3. Students read skit aloud (or watch "The Friendship Game" on DVD). **Now let's find out how these two people showed their friendship for each other.**

What do you know about David and Jonathan? Saul was King of Israel, and Jonathan was his son, a prince. David was just a young shepherd who lived way out in the country. But after David defeated Goliath, Israel's enemy, Saul brought David to the palace to live with him. David and Jonathan quickly became very good friends.

The people who knew David and Jonathan probably would NEVER have predicted they would be friends—especially not BEST friends. But they

Large group Study

20-30 minutes

Goal: Understand that God wants true friends to care for and protect each other just as they care for themselves

1 sam.
18:3

Why did Jonathan make this promise of friendship?

Read verse 3. Jonathan cared about what happened to David as much as he cared about what happened to himself! To prove his friendship, he gave David several of his prized possessions—his robe, sword, bow and belt.

Soon, Jonathan had a chance to show his friendship again. King Saul continued to send David out as a warrior for Israel. And David did a fantastic job! The Israelites were so proud of David's skill in protecting Israel that they made up this song: "Saul has killed his thousands, and David his tens of thousands!"

Hearing the words of that song did something to King Saul! He became jealous of David's popularity—so jealous that he threw a spear at David. One day Saul even commanded his servants and Jonathan to kill David!

1 sam.
19:1-2

Read 1 Samuel 19:1-2 to find out what Jonathan chose to do.

To show his friendship, Jonathan chose to warn David about King Saul's death threat. Jonathan also planned a way to make peace between the two men. And for a while, Jonathan's plan worked. David was once again accepted in the palace—but not for long!

David went to battle again for Israel and defeated the Philistines. And once again, Saul grew horribly jealous and hateful toward David. Eventually, Saul's anger grew so strong that David had to run for his life! But before he left, David went to see Jonathan.

Jonathan knew that David was God's choice to be the next king. So he helped David escape unharmed. Even though he knew that helping David meant he himself would never be king, he was glad to help his friend.

DVD

Skit
option

1 sam.
20:17

One of the last times they saw each other, David and Jonathan renewed their promise of friendship. **Read 1 Samuel 20:17 to find out why they did this.** Because David and Jonathan’s friendship was so strong, they promised they would always show kindness to each other and to each other’s children.

David kept his promise of friendship, too. Later in his life, David learned that King Saul and Jonathan had been killed in battle. David grieved terribly over the death of his friend. He wrote a song honoring Saul as a mighty king and describing what a loving friend Jonathan had been to him (see 2 Samuel 1:19-27).

2 sam.
9:1

Read 2 Samuel 9:1 to find out another way David kept his promise of friendship after he became king. In those days, a new king usually killed everyone related to the old king. One of King Saul’s servants knew that Jonathan’s son, Mephibosheth, was alive. Mephibosheth’s legs had been broken when he was young and he became crippled.

2 sam.
9:7

Read 2 Samuel 9:7 to learn how David showed kindness to Mephibosheth for his friend Jonathan’s sake. David gave Mephibosheth everything he needed. Mephibosheth ate his meals in the palace as part of the royal family.

romans
12:9-14,21

A long time after David and Jonathan lived, Paul, one of Jesus’ followers, wrote some words to help the believers in the church at Rome know how to treat each other. These instructions help us know how to treat others, too, and they give us good advice for building friendships.

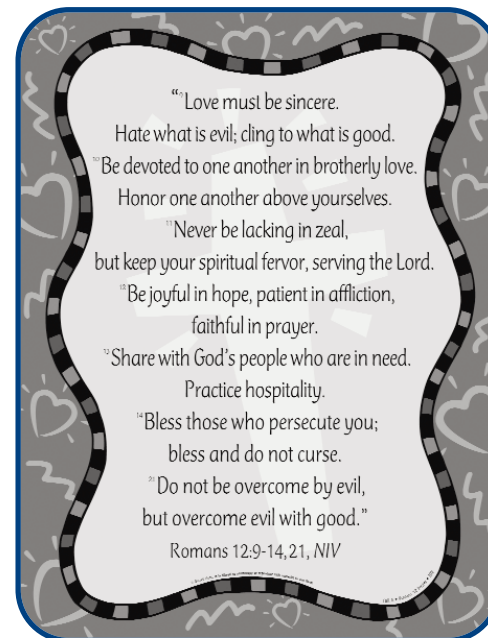
(Students read Romans 12:9-14,21 from Bibles or Romans 12 Poster. Optional: Play “Love Must Be” song from CD or DVD.)

- “Brotherly love” means to care for someone as though he or she were a deeply loved member of your family. **How did David and Jonathan show they were sincere, or honest, in their feelings of friendship?**

- “Affliction” is a word used to describe a hard or difficult time. **How did David and Jonathan show their friendship in difficult times?**
- When we bless someone, we wish and pray that good things will happen to him or her.

conclusion God gave us a great example of true friendship in the record of David and Jonathan. David and Jonathan cared for each other, and Jonathan protected David, even when it was difficult to do so. They stood up for each other and kept their promise of friendship throughout their lives. God wants us to care for and protect each other to show that we are true friends, too.

Jesus calls people who love and obey Him His friends (see John 15:15). When we become Christians, Jesus cares for us as “best friends.” (Pray with students and then talk with interested students about salvation, referring to “Leading a Student to Christ” on p. 105.)





Talk with students about putting into practice the Bible truths discovered in this lesson. Use these **discussion questions** as you lead students to complete one of the activities on the following pages. Conclude the activity with the Life Application Challenge below.

Small Group Application

20-30 minutes

Goal: Identify and plan ways to be true friends

- **According to Romans 12:9-14,21, how should we treat our friends? How do you act when you show brotherly love to someone?** (Treat the other person as if he or she is more important than yourself. Help the other person without expecting anything in return.) **How is that different from the way some kids treat their friends?**
- **When might it be hard to be a true friend?** (When other kids don't like your friend. When you feel angry or upset about something your friend has done.) **What can you do in these situations?** (Talk to God about it. Read the Bible. Ask parents or other adults for help.)
- **Think about someone God has given you as a friend. What has this person done to show friendship to you?**
- **What can you do to show friendship when two of your friends are angry with each other?** (Say only kind things about both friends. Pray for the friends. Encourage them to talk to each other.)
- **When might you need to stand up for a friend?**
- **What are some ways you can show that you care for a friend the same way as you care for yourself?**

Life Application Challenge

Take a moment to think about one of your friends. Plan one or two specific things you will do to be a true friend to that person. Give students a short time to think, and then pray with students, asking God's help in showing true friendship to others.

Discussion Option Creato-Friend



Materials

Bibles, Lesson 1 *Comics*.

Procedure

1. Students look at "Acme Creato-Friend!" on page 4 of comics. Ask the questions below.
 - **What are some characteristics of friends shown on this page?**
 - **What characteristics of true friendship did David and Jonathan show? What are some other characteristics of true friendship mentioned in Romans 12:9-14,21?**
 - **Which characteristics of a friend are most important to you? Why?**
2. Challenge students to think of ways to develop these important characteristics of good friends. **What can you do to become that kind of friend?** Ask the **discussion questions** to extend the conversation.



Enrichment Idea

Distribute paper and markers. Students draw people shapes and then write qualities of friendship they would like to show, referring to "Acme Creato-Friend!" for ideas.

Mentoring Tip

Encourage positive mentoring relationships by inviting several adults to visit your class near the end of the session. Groups work together to write several interview questions to ask the adults about friendships. (Refer to the **discussion questions** if students need help writing questions.)

Tech Tip: Students videotape or tape-record interviews with adults. Play recordings for all students to enjoy.


Active Option Friendly Games



Materials

Bibles, balloons, scarves or fabric strips at least 21 inches (53.5 cm) in length.

Procedure

1. Divide class into pairs to play at least one of the games below. Choose games appropriate for your facility.
 2. After students have had a chance to play several rounds of these games, ask,
 - **What was easy about doing these games? What was hard to do?**
 - **How did you help each other to play these games? What are other ways friends help each other?**
-  3. Use the **discussion questions** to lead students in discussing ways to be true friends.

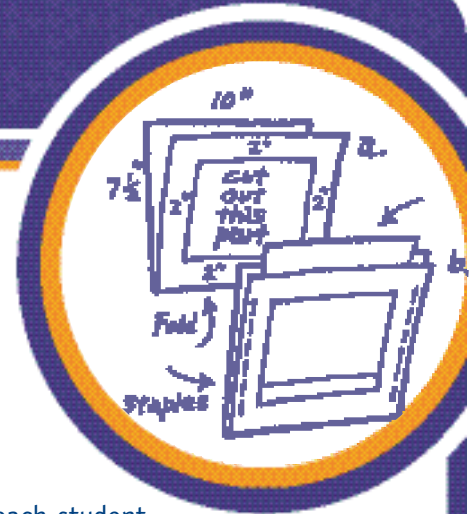
Games

Balloon Squash: Partners stand shoulder to shoulder with arms behind their backs. Partners carry a balloon across the room and back by holding it between their shoulders or elbows (see sketch). Variation: Partners carry balloon by holding it between hips.

Three-Legged Race: Partners stand side by side and tie inside legs together with a scarf or fabric strip. Pairs race to the other side of the room and back.

If you have a large group, divide group into teams and time each team with a stopwatch. The two fastest teams compete in a gold-medal race.

Art Option Framed Friends




Materials

Bibles, poster board, scissors, measuring stick, pencils, stapler, glue, decorating materials (craft sticks, colored straws, twigs, etc.), paper, markers.

Preparation

Cut poster board into 10x15-inch (25.5x38-cm) rectangles, one for each student.

Procedure

1. Give each student a poster-board rectangle. Student folds rectangle in half like a book and then uses pencil to outline a frame on one of the halves, leaving about 2 inches (5 cm) on all four sides. Student cuts out center rectangle, leaving a frame (see sketch a). Student staples together side edges of frame, leaving top edge open (see sketch b).
2. Students decorate frames by gluing on decorating materials. Students write names of friends on paper, decorate the letters of the  names and place name papers in their frames. As students work, use the **discussion questions** to lead students to identify and plan ways to be true friends.

Enrichment Idea

Instead of gluing on decorating materials, students use pencils to roll wrapping paper into small tubes. Students secure the tubes with glue or tape and then glue tubes onto frames, starting at the centers of the frames.

Tech Tip: Use a camera (instant or digital) to take pictures of students posing with friends. Give pictures to students to put in the frames they create.

Leading a Student to Christ

Many adult Christians look back to their upper elementary years as the time when they accepted Christ as Savior. Not only are preteens able to understand the difference between right and wrong and their own personal need of forgiveness, but also they are interested in Jesus' death and resurrection as the means by which God provides salvation. In addition, students at this age are capable of growing in their faith through prayer, Bible reading, worship and service.

However, preteens are still limited in their understanding, and immature in following through on their intentions and commitments. Therefore, they need thoughtful, patient guidance in coming to know Christ personally and continuing to grow in Him.

1. Pray.

Ask God to prepare the students in your class to receive the good news about Jesus and prepare you to effectively communicate with them.

2. Present the good news.

Use words and phrases that students understand. Avoid symbolism that will confuse these literal-minded thinkers ("born-again," "ask Jesus to come into your heart," "open your heart," etc.). Discuss these points slowly enough to allow time for thinking and comprehending.

a. "God wants you to become His child. Do you know why God wants you in His family?" (See 1 John 3:1.)

b. "You and all the people in the world have done wrong things. The Bible word for doing wrong is 'sin.' What do you think should happen to us when we sin?" (See Romans 6:23.)

c. "God loves you so much, He sent His Son to die on the cross for your sins. Because Jesus never sinned, He is the only One who can take the punishment for your sins." (See 1 Corinthians 15:3; 1 John 4:14.) On the third day after Jesus died, God brought Him back to life.

d. "Are you sorry for your sins? Tell God that you are. Do you believe Jesus died to take the punishment for your sins? If you tell God you are sorry for your sins and tell Him you do believe and accept Jesus' death to take away your sins, God forgives all your sins." (See 1 John 1:9.)

e. "The Bible says that when you believe in Jesus, God's Son, you receive God's gift of eternal life. This gift makes you a child of God. This means God is with you now and forever." (See John 3:16.)

Give students many opportunities to think about what it means to be a Christian; expose them to a variety of lessons and descriptions of the meaning of salvation to aid their understanding.

3. Talk personally with the student.

Talking about salvation one-on-one creates the opportunity to ask and answer questions. Ask questions that move the student beyond simple yes or no answers or recitation of memorized information. Ask what-do-you-think kinds of questions.

- "Why do you think it's important to . . . ?"
- "What are some things you really like about Jesus?"
- "Why do you think that Jesus had to die because of wrong things you and I have done?"
- "What difference do you think it makes for a person to be forgiven?"

Answers to these open-ended questions will help you discern how much the student does or does not understand.

4. Offer opportunities without pressure.

Preteens are still children, vulnerable to being manipulated by adults. A good way to guard against

coercing a student's response is to simply pause periodically and ask, "Would you like to hear more about this now or at another time?" Loving acceptance of the student, even when he or she is not fully interested in pursuing the matter, is crucial in building and maintaining positive attitudes toward becoming part of God's family.

5. Give time to think and pray.

There is great value in encouraging a student to think and pray about what you have said before making a response. Also allow moments for quiet thinking about questions you ask.

6. Respect the student's response.

Whether or not a student declares faith in Jesus Christ, there is a need for adults to accept the student's action. There is also a need to realize that a student's initial responses to Jesus are just the beginning of a lifelong process of growing in the faith.

7. Guide the student in further growth.

There are several important parts in the nurturing process.

a. *Talk regularly about your relationship with God.* As you talk about your relationship, the student will begin to feel that it's OK to talk about such things. Then you can comfortably ask the student to share his or her thoughts and feelings, and you can encourage the student to ask questions of you.

b. *Prepare the student to deal with doubts.* Emphasize that certainty about salvation is not dependent on our feelings or doing enough good deeds. Show the student places in God's Word that clearly declare that salvation comes by grace through faith (see John 1:12; Ephesians 2:8-9; Hebrews 11:6; 1 John 5:11).

c. *Teach the student to confess all sin.* This means agreeing with God that we really have sinned. Assure the student that confession always results in forgiveness.