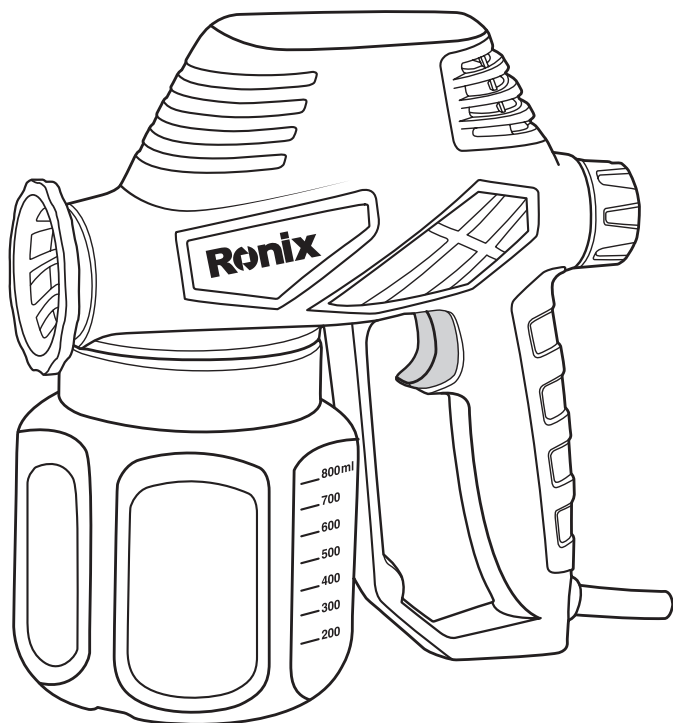


Ronix[®]

Premium Quality

SOLENOID SPRAY GUN

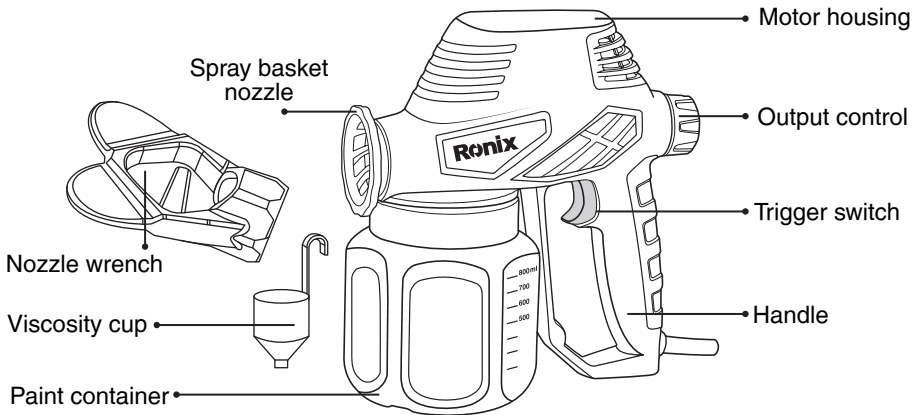
1313



SPECIFICATIONS

| | |
|-----------------|--|
| Model | 1313 |
| Power | 130W |
| Voltage | 220-240V |
| Frequency | 50-60Hz |
| Nozzle | Φ0.8mm |
| Max.Flow | 320 ml/min |
| Painting System | Solenoid |
| Max.Viscosity | 60din/sec |
| Paint Reservoir | 800ml |
| Supplied in | Ronix Color box |
| Weight | 1.6kg |
| Includes | 1pc Viscosity measuring cup, 1pc Cleaning pin, 1pc Spanner, 2pcs valves 1pc 0.8mm nozzle |

PARTS LIST



Check the machine, loose parts and accessories for transport damage.



Read the operating instructions carefully before using the tool and observe the safety instructions. Keep the operating instructions in a safe place.

SAFETY INSTRUCTIONS

■ GENERAL SAFETY INSTRUCTIONS

The following symbols are used in these instructions for use:



Denotes risk of personal injury, loss of life or damage to the tool in case of nonobservance of the instructions in this manual



Denotes risk of electric shock.



Wear protective gloves



Wear a dust mask. Working with wood, metals and other materials may produce dust that is harmful to health. Do not work with material containing asbestos!



Wear eye protection

GENERAL POWER TOOL SAFETY WARNINGS



WARNING!

Read all safety warnings and all instructions. Failure to follow the warnings and instructions may result in electric shock, fire and/or

serious injury.

Save all warnings and instructions for future reference. The term “power tool” in the warnings refers to your mains-operated (corded) power tool or battery-operated (cordless) power tool.

1) General Power Tool Safety Warnings – Work area safety

a) Keep work area clean and well lit. Cluttered or dark areas invite accidents.

b) Do not operate power tools in explosive atmospheres, such as in the presence of flammable liquids, gases or dust. Power tools create sparks which may ignite the dust or fumes.

c) Keep children and bystanders away while operating a power tool. Distractions can cause you to lose control.

2) General Power Tool Safety Warnings – Electrical safety

a) Power tool plugs must match the outlet. Never modify the plug in any way. Do not use any adapter plugs with earthed (grounded) power tools. Unmodified plugs and matching outlets will reduce risk of electric shock.

b) Avoid body contact with earthed or grounded surfaces, such as pipes, radiators, ranges and refrigerators. There is an increased risk of electric shock if your body is earthed or grounded.

c) Do not expose power tools to rain or wet conditions. Water entering a power tool will increase the risk of electric shock.

d) Do not abuse the cord. Never use the cord for carrying, pulling or unplugging the power tool. Keep cord away from heat, oil, sharp edges or moving parts. Damaged or entangled cords increase the risk of electric shock.

e) When operating a power tool outdoors, use an extension cord suitable for outdoor use. Use of a cord suitable for outdoor use reduces the risk of electric shock.

f) If operating a power tool in a damp location is unavoidable, use a residual current device (RCD) protected supply. Use of an RCD reduces the risk of electric shock.

3) General Power Tool Safety Warnings – Personal safety

a) Stay alert, watch what you are doing and use common sense when operating a power tool. Do not use a power tool while you are tired or under the influence of drugs, alcohol or medication. A moment of inattention while operating power tools may result in serious personal injury.

b) Use personal protective equipment. Always wear eye protection. Protective equipment such as dust mask, non-skid safety shoes, hard hat, or hearing protection used for appropriate conditions will reduce personal injuries.

c) Prevent unintentional starting. Ensure the switch is in the off-position before connecting to power source and/or battery pack, picking up or carrying the tool. Carrying power tools with your finger on the switch or energising power tools that have the switch on invites accidents.

d) Remove any adjusting key or wrench before turning the power tool on. A wrench or a key left attached to a rotating part of the power tool may result in personal injury.

a) Do not overreach. Keep proper footing and balance at all times. This enables better control of the power tool in unexpected situations.

b) Dress properly. Do not wear loose clothing or jewellery. Keep your hair, clothing and gloves away from moving parts. Loose clothes, jewellery or long hair can be caught in moving parts.

c) If devices are provided for the connection of dust extraction and collection facilities, ensure these are connected and properly used. Use of dust collection can reduce dust-related hazards.

2) General Power Tool Safety Warnings – Power tool use and care

a) Do not force the power tool. Use the correct power tool for your application. The correct power tool will do the job better and safer at the rate for which it was designed.

b) Do not use the power tool if the switch does not turn it on and off. Any power tool that cannot be controlled with the switch is dangerous and must be repaired.

c) Disconnect the plug from the power source and/or the battery

pack from the power tool before making any adjustments, changing accessories, or storing power tools. Such preventive safety measures reduce the risk of starting the power tool accidentally.

d) Store idle power tools out of the reach of children and do not allow persons unfamiliar with the power tool or these instructions to operate the power tool. Power tools are dangerous in the hands of untrained users.

e) Maintain power tools. Check for misalignment or binding of moving parts, breakage of parts and any other condition that may affect the power tool's operation. If damaged, have the power tool repaired before use. Many accidents are caused by poorly maintained power tools.

f) Keep cutting tools sharp and clean. Properly maintained cutting tools with sharp cutting edges are less likely to bind and are easier to control.

g) Use the power tool, accessories and tool bits etc. in accordance with these instructions, taking into account the working conditions and the work to be performed. Use of the power tool for operations different from those intended could result in a hazardous situation.

3) General Power Tool Safety Warnings – Service

a) Have your power tool serviced by a qualified repair person using only identical replacement parts. This will ensure that the safety of the power tool is maintained.

CAUTION:

The use of any accessories or additional tools other than those recommended in this manual may lead to an increased risk of injury. Only use original replacement parts.

■ SAFETY INSTRUCTIONS FOR SPRAY GUNS

- You may only spray coating materials such as paints, varnishes, glazes, etc. with a flashpoint of 21°C (32°C in UK) and higher without additional warning. (German classification of coating material is

hazard classes A II and A III, see material tin.)

- The device may not be used in workplaces covered by the explosion-protection regulations.
- There must be no sources of ignition such as, for example, open fires, smoke of lit cigarettes, cigars and tobacco pipes, sparks, glowing wires, hot surfaces, etc. in the vicinity during spraying.
- Do not spray any substances whose hazard potential is not known.
- Before working on the spray gun remove the power plug from the socket.
- Do not use the spray guns to spray flammable substances. The spray guns are not to be cleaned with flammable solvents which have a flashpoint under 21°C.
- Caution against dangers that can arise from the sprayed substance and observe the text and information on the containers or the specifications given by the substance manufacturer.
- High pressure at the nozzle.

Recommendation: Wear a breathing mask and safety glasses when spraying.

CAUTION:

Never point the spray gun at yourself, at other people or at animals.

- When working with the tool indoors as well as outdoors ensure that no solvent vapors are sucked in by the spray gun.
- When working outdoors, be aware of the wind direction. Wind can carry the coating substance across greater distances - thus causing damage. When working indoors, provide for adequate ventilation.
- Do not let children handle the device.
- Never open the device yourself in order to carry out repairs in the electrical system!
- Do not lay the spray gun.

RESIDUAL RISKS

Even when the power tool is used as prescribed it is not possible to eliminate all residual risk factors. The following hazards may arise in connection with the power tool's construction and design:

- 1- Damage to lungs if an effective dust mask is not worn.
- 2- Damage to hearing if effective hearing protection is not worn.
- 3- Damages to health resulting from vibration emission if the power tool is being used over longer period of time or not adequately managed and properly maintained.

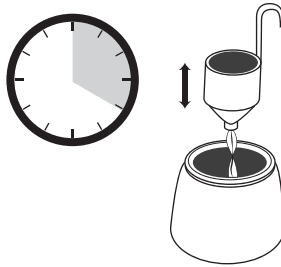
WARNING!

This power tool produces an electromagnetic field during operation. This field may under some circumstances interfere with active or passive medical implants. To reduce the risk of serious or fatal injury, we recommend persons with medical implants to consult their physician and the medical implant manufacturer before operating this machine.

OPERATION INSTRUCTIONS

■ PREPARATION

Do not use textured wall paints or coatings as this will block the nozzle. To obtain the best results, it is important that you prepare the surface to be sprayed and thin the paint to the correct viscosity, before you operate your spray gun. Always ensure that the surfaces to be sprayed are free from dust, dirt and grease. Make sure that you have masked the areas that should not be sprayed, using a good quality masking tape. The paint or fluid to be sprayed should be thoroughly mixed and free from lumps or other particles. Many substances can be sprayed with your spray gun, but always check the manufacturers recommendations before purchasing your paint.



■ THINNING

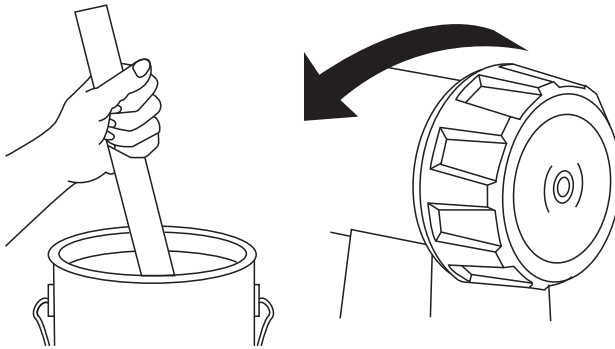
Always remember to disconnect from the mains supply before filling the paint container with spray able material.

Most paints are supplied ready for brush application and will need to be thinned before they are suitable to be sprayed. Follow the manufacturer's advice on thinning the paint when used with a spray gun. The viscosity cup will help you to determine the correct viscosity of paint to be used. The table below shows recommended times for different types of material.

| | |
|--------------------|----------------------|
| Water based paint | 20 - 25 seconds |
| Primers | 24 - 28 seconds |
| Varnishes | 20 - 25 seconds |
| Oil based paints | 18 - 22 seconds |
| Enamel paints | 18 - 22 seconds |
| Aluminum paints | 22 - 25 seconds |
| Car undersealing | 25 - 35 seconds |
| Wood sealers | 28 - 35 seconds |
| Wood preservatives | No thinning required |
| Wood stains | No thinning required |

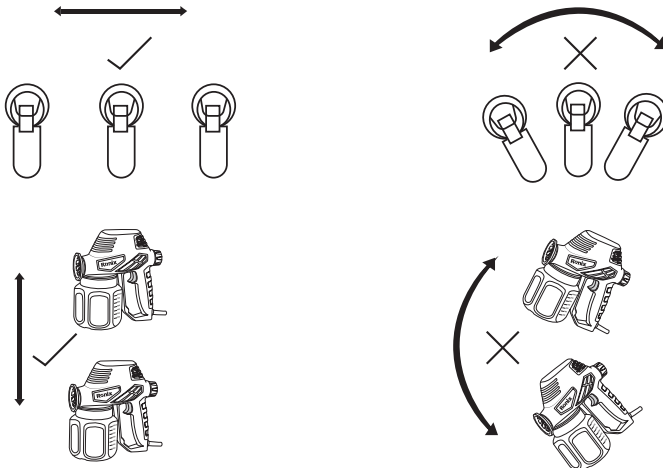
■ SPRAYING

Fill the paint container with the correctly thinned and strained paint. Connect the spray gun to the mains supply. Aim the spray gun at a piece of scrap material and operate the trigger switch until paint is spraying. Adjust the output control (2) until the required volume of paint is spraying. Turn the output control in a clockwise direction (B) to reduce the flow and anti-clockwise (A) to increase the flow. Adjustment of the output control will affect the spray pattern.

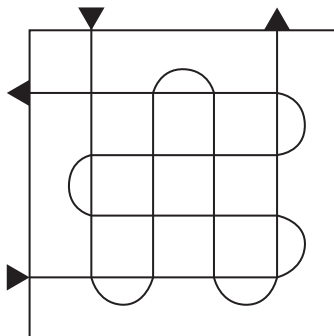


■ SPRAYING TECHNIQUES

To obtain the best results, keep your spray gun level and parallel to the surface at all times. Keep the nozzle 25 - 30 cm from the surface and spray evenly from side to side or up and down. Do not spray at an angle as this will lead to paint runs on the surface. Use smooth and even strokes. When spraying large areas, using a criss-cross pattern as shown.



Never start or stop the spray gun while it is aimed at the surface to be sprayed. Evenly control the speed of movement of the spray gun. A fast speed of movement over the surface will give a thin coat and a slow speed will give a heavy coat. Apply one coat at a time. If a further coat is required, make sure you observe the manufacturers drying time recommendations before applying a second coat. When spraying small areas, keep the output control on a low setting. This will avoid using too much paint and prevent overspray. Where possible, avoid stopping and starting when spraying an object. This can lead to too much, or not enough paint being applied. Do not tip the spray gun to more than 45°.



MAINTENANCE

Make sure that the plug is removed from the mains when carrying out maintenance work on the motor.

The machines have been designed to operate over a long period of time with a minimum of maintenance. Continuous satisfactory operation depends upon proper machine care and regular cleaning.

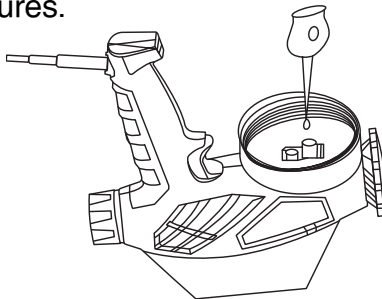
CLEANING AND MAINTENANCE

Always remember to disconnect from the mains supply before cleaning the spray gun or paint container.

It is essential that the spray gun is cleaned thoroughly after every use. Failure to clean it will almost certainly result in blockages and it may not operate when you next come to use it! The guarantee does not cover cleaning a sprayer that has not been properly cleaned by the user.

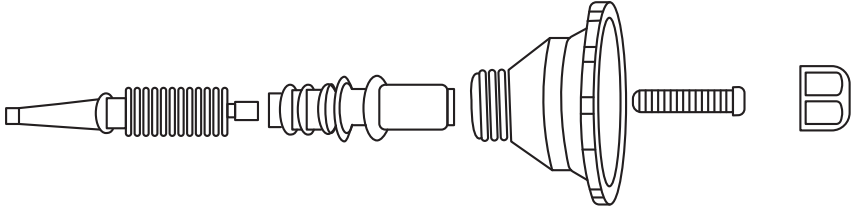
The following action must be taken after every use:


- 1- Empty any remaining material from the container.
- 2- Clean the container thoroughly with the thinner that was used.
- 3- Pour some thinner into the container and spray through the spray gun until only clean thinner is coming out of the nozzle.
- 4- Thoroughly clean the paint pick up pipe and filter with thinner.
- 5- Clean the basket and nozzle and remove any other debris or paint that remains.
- 6- Turn the spray gun upside down and apply a few drops of light oil to the two apertures.



This will lubricate the piston and cylinder.

If your spray gun should require extra internal cleaning, it may be necessary to disassemble it.



 Do not dispose of electrical appliances as unsorted municipal waste, use separate collection facilities.

Contact your local government for information regarding the collection systems available.

If electrical appliances are disposed of in landfills or dumps, hazardous substances can leak into the groundwater and get into the food chain, damaging your health and well-being.

When replacing old appliances with new ones, the retailer is legally obligated to take back your old appliance for disposals at least free of charge.

TROUBLESHOOTING

| Malfunction | Cause | Solution |
|--|---|--|
| Motor hums but does not spray or irregular spraying. | <ul style="list-style-type: none"> - Worn swirl head - Pick up pipe not in the right position - Blocked pick up pipe - Blocked nozzle - Blocked filter - Control knob need adjustment | <ul style="list-style-type: none"> - Replace swirl head. - Re-adjust pick up pipe. - Clean with thinner. - Clean nozzle. - Clean with thinner. - Adjust. |
| Atomization is not good. | <ul style="list-style-type: none"> - Volume adjustment is not correct. - Paint too thick | <ul style="list-style-type: none"> - Adjust. - Check viscosity of the paint. |
| Over painting. | <ul style="list-style-type: none"> - Spray gun not clean, or not lubricated resulting in piston being stuck in cylinder - Too much paint - Viscosity too low | <ul style="list-style-type: none"> - Disassemble spray gun and, clean with thinner - Adjust the volume clockwise to reduce spraying. Two thin coats are better than one Check viscosity |
| Motor louder than normal. | <ul style="list-style-type: none"> - Spray gun not clean, or not lubricated, resulting in piston being stuck in cylinder | <ul style="list-style-type: none"> - Disassemble spray gun and clean with thinner. |
| No spray, no sound. | No electricity | Check power supply |
| Operating sound not right | Poor output adjustment Not enough paint in the container resulting in air being sucked in. Not diluting properly or not passing pick up pipe completely. | Re-adjust Refill with paint. Check pick up pipe and viscosity level. |
| "Orange Skin" excessive fogging. | Incorrect solvent is used Spray gun too far from the surface. Paint too thick | Use correct solvent. Hold spray gun closer to the object. Thin the paint |

Ronix[®]
Premium Quality

www.ronixtools.com