

● BREAKDOWN PHENOMENON AND SETTLEMENT

Phenomenon	Reasons	Maintenance
Without steam	<ol style="list-style-type: none"> 1.steam generator without water. 2.inside infrared pipe burn out of steam generator. 3.block of steam spray mouth. 4.probe out off control. 5.the temperature inside steam room is over the temperature what were set. 6.after fill into water it is still not the time for steam working. 7.it is overtime for the setting time. 8.disconnect with the control wire. 	<ol style="list-style-type: none"> 1.check if the switch of water in be turn on or not. 2.change the infrared pipe. 3.get rid of mess. 4.check the connection wire and change the probe. 5.waiting decrease the temperature. 6.be waiting few minutes. 7.adjust the setting time. 8.connect to control wire.
Water pipe leaking	<ol style="list-style-type: none"> 1.plastic seal ring be connected untightly. 2.screws unlock. 3.connection is glued not good. 4.water pipe be damaged. 	<ol style="list-style-type: none"> 1.change the plastic seal ring. 2.screws should be installed tightly. 3.get rid of the PVC glue then stick the glue again till it is be well done. 4.change the water pipe.
Computer panel under control	<ol style="list-style-type: none"> 1.power not be connected well,electronic leakage device without power. 2.switch of control panel out of control. 	<ol style="list-style-type: none"> 1.get through the power again. 2.change the computer panel.
Without lighting	<ol style="list-style-type: none"> 1.bulb be burned. 2.without power. 3.switch of control panel out of control. 	<ol style="list-style-type: none"> 1.change bulb. 2.get through power gain. 3.maintain or change the computer panel.
Telephone connection unworking	<ol style="list-style-type: none"> 1.telephone wire not connected well or be damaged. 2.telephone's device be blocked. 	<ol style="list-style-type: none"> 1.check the wires of telephone and electronic box if get through or not, if there is something wrong replace by the similar wires. 2.get rid of mess.
Without sounds	<ol style="list-style-type: none"> 1.speaker be broken 2.without power 3.switch of control panel out of control 	<ol style="list-style-type: none"> 1.change the speaker 2.get through power again 3.maintain or change the computer panel

- No advanced advice will be submit before we change our design and size.
- The pictures may be a little different from the real products.
- Our company keep the final explanation right.



Do not dispose this product as unsorted municipal waste. Collection of such waste separately for special treatment is necessary.

INSTALL DIRECTION



WS-300



WS-300A



WS-301



WS-301A



WS-302



WS-302A

Sanitary Ware Expert
Your best choice!

Dear users:

Thanks for choosing our products, for the purpose of safety, please read this manual carefully before use.

The instruction manual be the same with the following steam room:

WS-300/300A、
WS-301/301A、
WS-302/302A、
WS-303/303A、
WS-304/304A、



ATTENTIONS

- 1.It is recommended to fix a reliable leakage protector and earth line. Test the leakage protector every time before use.
- 2.Drunk, high blood pressure, heart disease people are not allowed to use this product, Children should be guided by adults.
- 3.Adjust the water temperature before taking shower, don't spray hot water to your body. Steam outlet and drain pipe may be in high temperature, keep away from them.
- 4.Watch out to avoid falling down when entering the steam room, don't put hands into the door gap.
- 5.Please don't use hard wares to knock at the steam room.
- 6.Clean the tray after taking shower, to remove the soap or foam on the tray.
- 7.If the glass seal separate from the door, please refix it to avoid leaking water.
- 8.Use the tooth paste to clean the dirt on the tray.
- 9.Keep the tray clean to avoid blocking the drain.
- 10.Please don't hang heavy articles on the steam room or handrail.
- 11.After use, please turn off water and power supply, to avoid long time working of the product.
- 12.Please dispose of the product according to the local law when it is out of use.
- 13.Please contact the dealer if you have any problems.

TECHNIQUE PARAMETER

Voltage	Frequency	Water Volatge	Power of steam generator
AC220V (±10%)	50/60Hz	0.1~0.2Mpa	3KW

(VI) Telephone function (optional)

When the machine is turned on, the **TEL** icon will flicker on the panel if there is an incoming call; meanwhile, the speaker will play the ring tone. Touch the button  on the touch panel to answer the call, and the **TEL** icon will stop flickering. Touch the button  on the touch panel again to end the call.

(VII) Failure Alarm Code

This machine has autonomous failure detection function. When the failure is detected, the corresponding failure code will be displayed on the screen as

Failure Code	Failure Description	Countermeasure
E1	Communication failure of steamer cables	Inspect whether poor contact of the steamer Cables occurs
E2	Inlet valve failure	Inspect the inlet valve and the connecting wires.
E3	Drain valve failure	Inspect the drain valve and the connecting wires.
E4	Failure of water inlet or drainage of steamer	Insect the driving chip of the water inlet or drainage valve.
E5	Water inlet failure of steamer	Inspect whether water failure occurs.
E6	Temperature probe failure	Inspect whether the probe wires are damaged or poorlycontacted.



IV. Technical Parameters

Operation Conditions and Characteristics			
Rated voltage	AC 220V	Rated frequency	50Hz-60Hz
Rated current	13.8A	Rated power	3050W
Insulated resistor	>20M	Current leakage	As per the enterprise product inspection standard
Waterproof level	IPX5	Current leakage protection	(15-30)mA


Load Configuration Parameters

Load type	Rated load voltage	Rated load frequency	Rated load power	QTY
Steam	Ac 220V	50Hz/60Hz	3kW	1
Ceiling lamp	Ac 12V	50Hz/60Hz	25W	1
Background lamp	Ac 12V	50Hz/60Hz	5W	1
Ozone disinfection	Ac 12V	50Hz/60Hz	5W	1
Fan	Dc 12V	-----	3W	1
Electromagnetic valve ^{Note1}	Dc 12V	-----	5W	2
Speaker	-----	-----	8/10W	1


(II) Alarm function

when the machine is turned on , touch the button  3seconds on the panel to turn on alarm function, the screen showing **505** ,meanwhile ,turn off steam function and radio function , and turn on fan function and lamp function . The speaker will be sound the alarm .After touch the button  turn off the alarm will relief the alarm.


(II) Lamp function


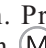
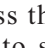

When the machine is turned on, touch the button  on the touch panel to turn on/off the ceiling lamp.


(III) Fan function

When the machine is turned on, touch the button  on the touch panel to turn on/off the fan. When the fan is turned on, the fan indicate will illuminate simultaneously.

(IV) Radio function


1、 When the machine is turned on, touch the button  on the touch panel to turn on/off the radio function. When the radio function is turned on, the radio frequency will be displayed on the screen, such as **1027** .



2、 Touch the button  on the touch panel to go to the frequency tuning mode, and the **Mhz** icon will flicker on the screen. Press the button  or  to tune the radio frequency. Touch and hold the button  to store the current frequency, and the currently stored frequency channel will be displayed on the screen, such as **3ch** .

3、 When the radio is turned on, touch the button  to swap the frequency channels, and the range of frequency channels is from 1 to 8.

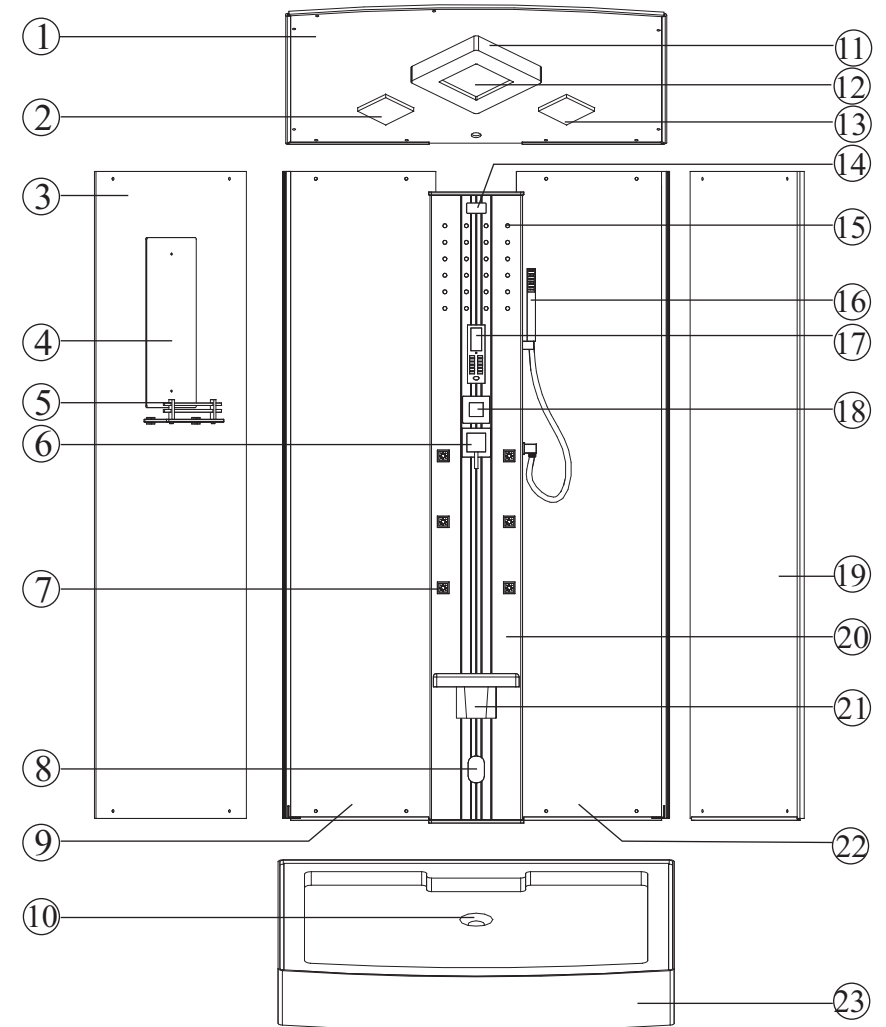
4、 Under the radio status, touch the button  on the touch panel to go to the volume adjustment mode, and the range of adjustment is from 1 to 15, and the volume will be displayed on the screen during adjustment, such as **10db** .

(V) Steam function

1、 When the machine is turned on, touch the button  on the touch panel to turn on/off the steam function. When the steam function is started, the steam function indicator will illuminate. After the steam function is enabled, the default set time for steam is 45 minutes, and the default temperature is 100F.

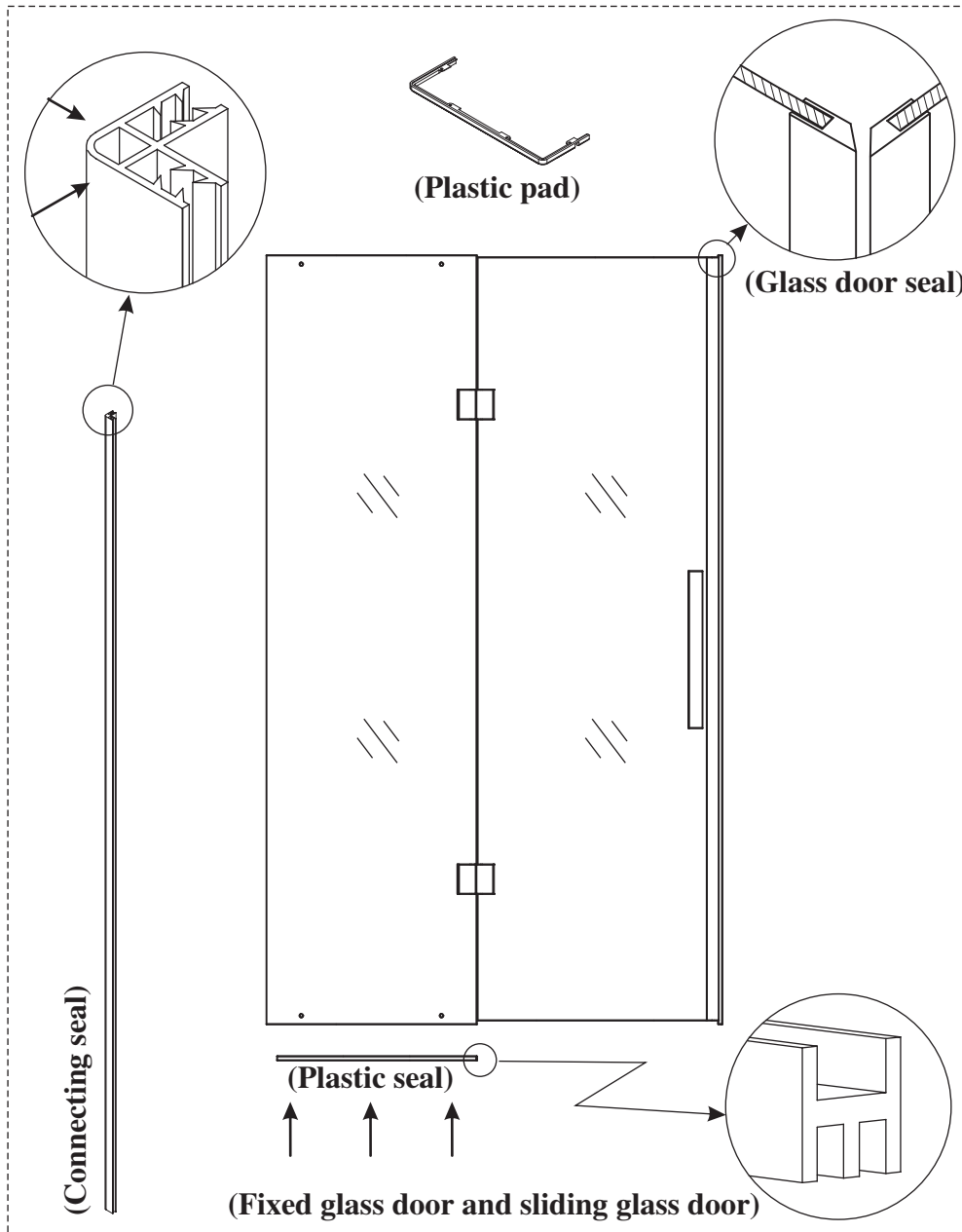
2、 When the steam function is started, touch the button  on the touch panel to go to the steam setting mode. If the **Min** icon flickers on the screen, such as **45** , it enters the steam time setting status, and the number displayed is the remaining time for steam operation. Touch the button  again to swap to the steam temperature setting status, and the **°F** icon flickers on the screen, such as **90** , and the number displayed is the steam temperature setting value.

300/300A STRUCTURE SKETCH (Other models can refer to this model)






- | | | |
|-------------------|---------------------|--------------------|
| 1.glass roof | 9.glass back body | 17.control panel |
| 2.speaker | 10.drainage | 18.shift valve |
| 3.side glass body | 11.top lamp | 19.side glass body |
| 4.mirror | 12.top shower | 20.Aluminium board |
| 5.glass rock | 13.exhaust fan | 21.seat |
| 6.hot/cold mixer | 14.ozone | 22.glass back body |
| 7.square jet | 15.wall lamp | 23.tray |
| 8.steam outlet | 16.hand held shower | |

● 300/300A ACCESSORIES
(Other models can refer to this model)



I. Instructions

1. Capacitor touch buttons are adopted in this panel. In selecting the position to install the panel, we should avoid facing directly the spray and shower nozzle, otherwise it may lead to mistaken operation of the panel or locking the panel;
2. The location area of each function button on the panel is the optimum touch range;
3. The panel is optimized with waterproof function. When mistaken operation is tested (with two or more keys touched simultaneously), there will be no response. Wait for about 1 second to restore operation.
4. Under the status of panel locking, the system gives no response when touching the panel, and the  icon flickers on the LCD. At this time, touch the  key for two seconds, and the locking will be released. Meanwhile, the  icon goes off on the LCD, and you can operate the keys on the panel.
5. When touching any key on the panel, the operating system will give a “beep” tone if the system operation is enabled.

II. Introduction to Functions

- 1.Lamp function; 2.Fan function; 3.Steam function;
- 4.Radio function 5.Telephone function; 6.Failure code indication;
- 7.Ozone disinfection after turning off; 8.Alarm function


III. Method of Operation

(I) Turn on/off the machine


1. Standby mode

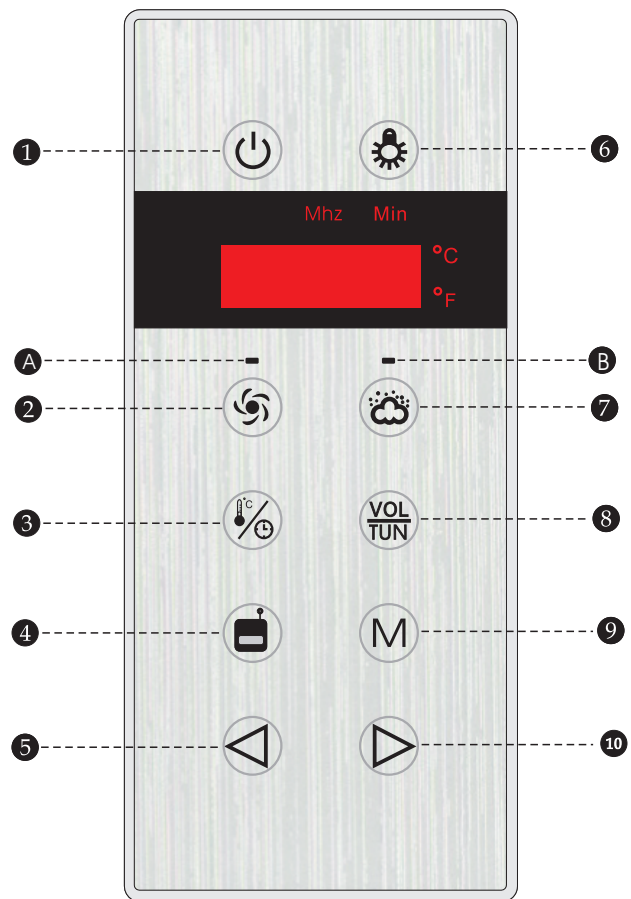
The system is in standby mode after power on, and a red dot will be displayed on the screen to indicate connected power.

2. Turn on the machine

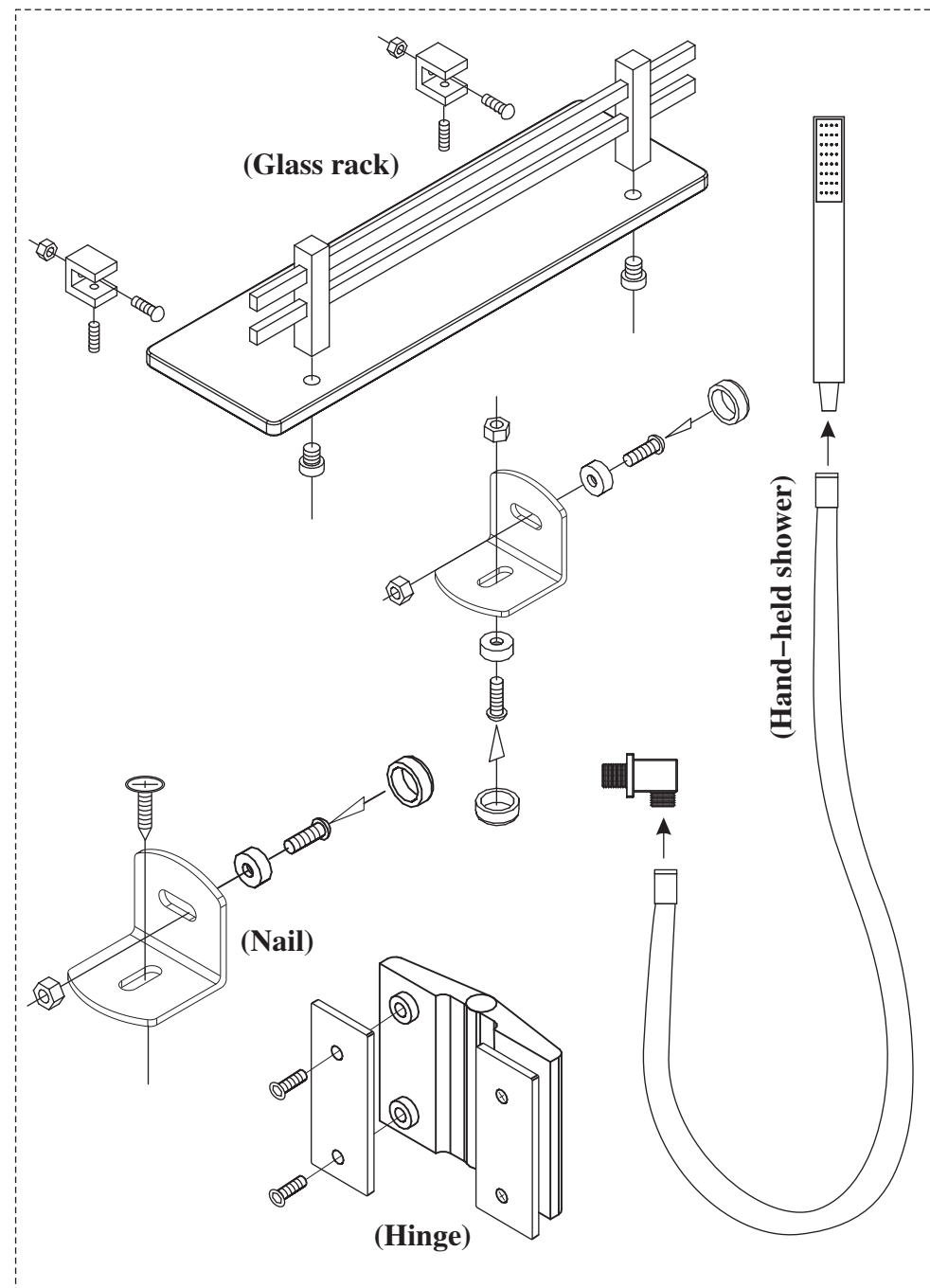
When the system is in standby mode, touch and hold the button  for two seconds to start the machine and the current temperature will be displayed on the screen, such as **25 °C**. At the same time, the ceiling lamp will light up. When the machine is started, it is timed for 60 minutes and the machine will shut off automatically when the time is due.

3. Turn off the machine

Either the button  on the touch panel is touched or the default set time (60 minutes) is up, the machine will be turned off, and all the activated functions will be disabled, and the system will go back to the standby mode. After the system is turned off for 30 seconds, the automatic water discharge function will be started automatically.

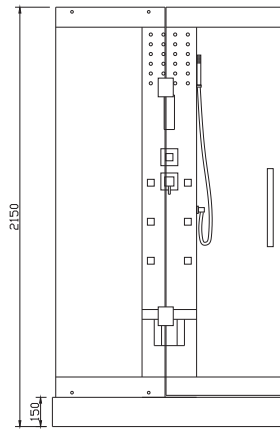
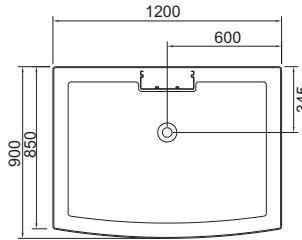


- | | |
|---|------------------------------------|
| 1、 On/Off function key | 6、 Lamp/Alarm function key |
| 2、 Fan function key | 7、 Steam function key |
| 3、 Steam adjustment function key | 8、 Radio tuning function key |
| 4、 Radio/Telephone receive function key | 9、 Radio memory key |
| 5、 Parameter setting decrease key | 10、 Parameter setting increase key |
| A、 Fan function indicator | B、 Steam function indicator |

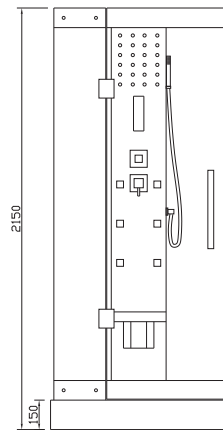
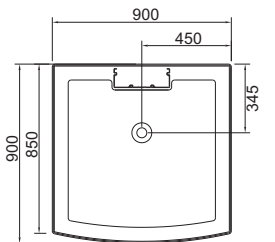


THE DRAFT AND SIZE FOR THE DIFFERENT MODELS

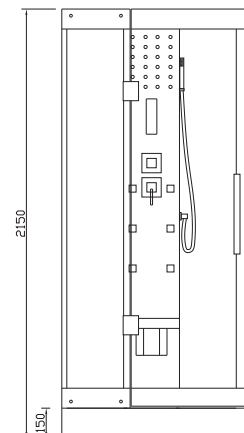
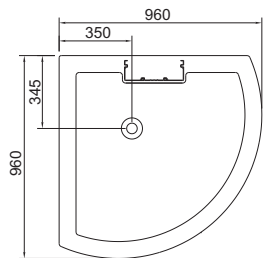
Model:WS-300(clear glass)
Model:WS-300A(blue glass)
Size:1200X900X2150mm



Model:WS-301(clear glass)
Model:WS-301A(blue glass)
Size:900X900X2150mm
1000X1000X2150mm

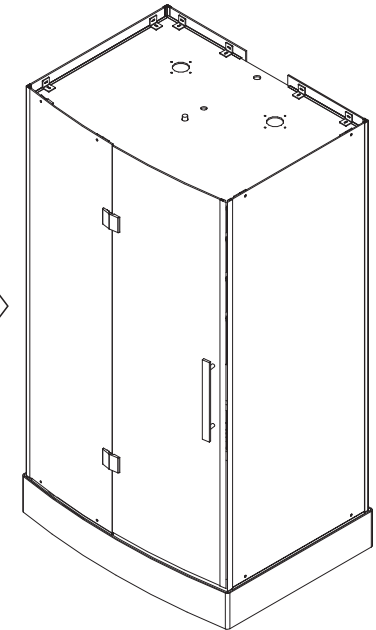
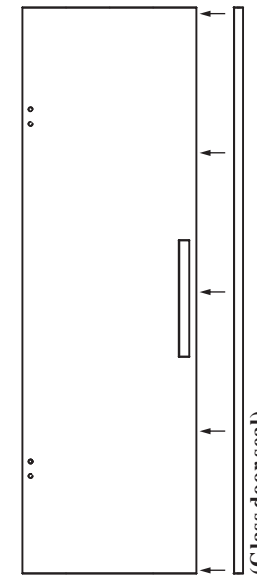


Model:WS-302(clear glass)
Model:WS-302A(blue glass)
Size:900X900X2150mm
960X960X2150mm

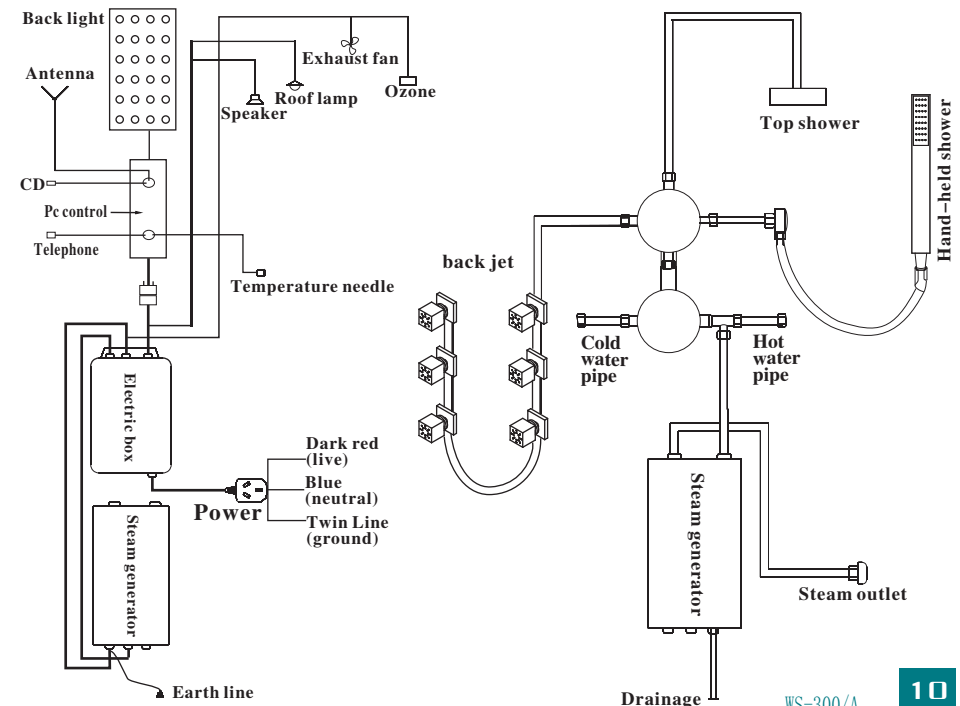


8、Install the gliding glass door

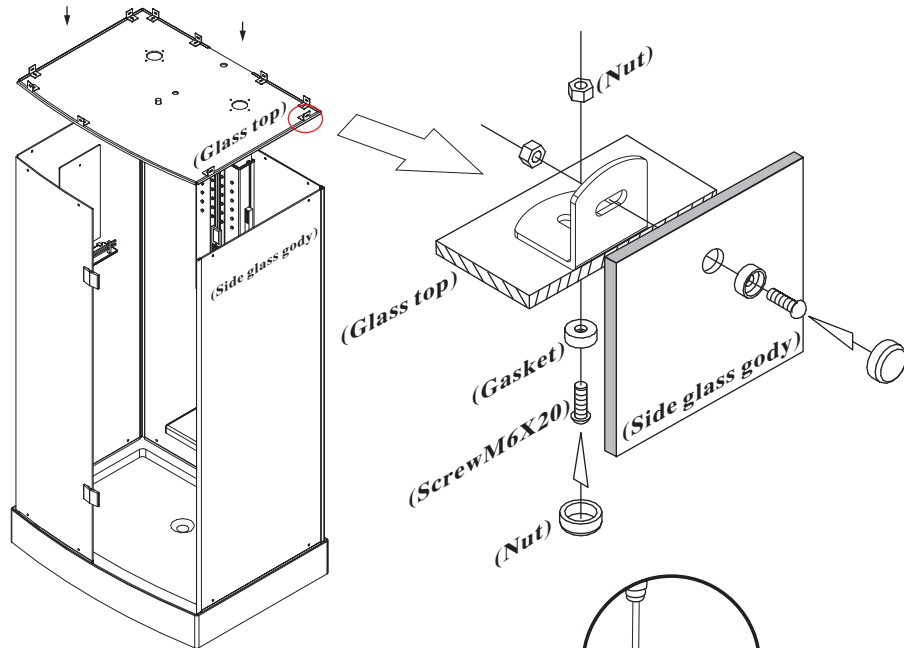
- 1.Adjust the tray to be horizontal by a horizontal meter.
- 2.Fasten the up and down nail (no space left), at the same time keep the back and side glass body vertical to the tray.
- 3.Fix the hinge onto the fixed glass door, make it be horizontal to the tray.
- 4.Put the sliding glass door on a wood a little higher than the tray, then fix it with the hinge.



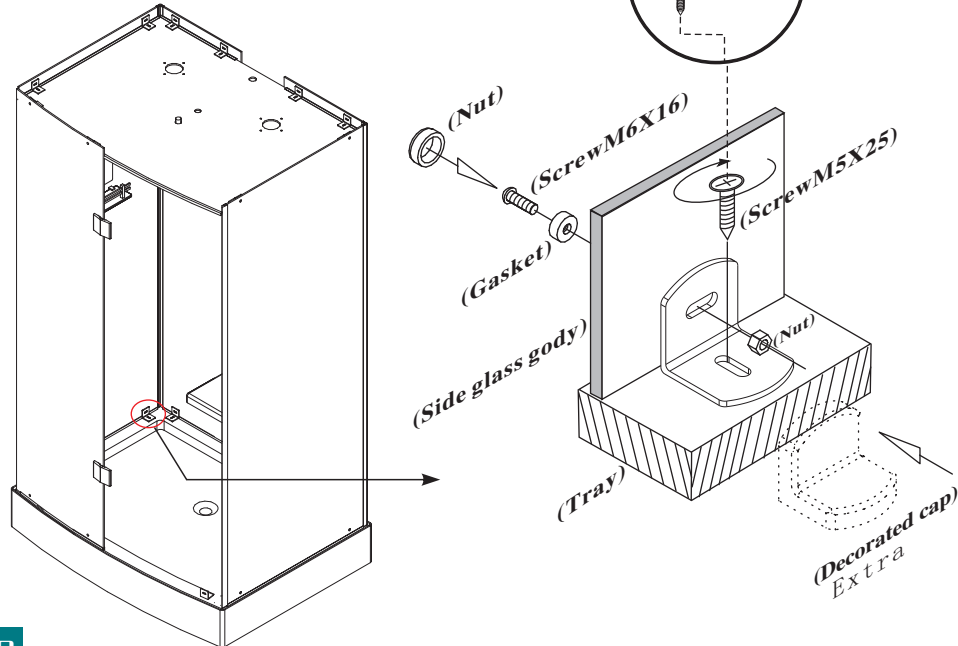
WATER AND ELECTRIC CIRCUIT SKETCH



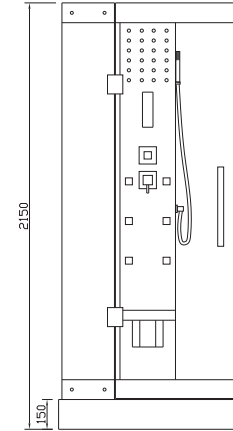
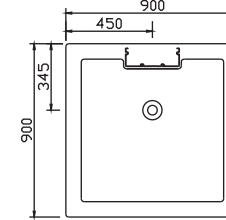
6、Install the glass top



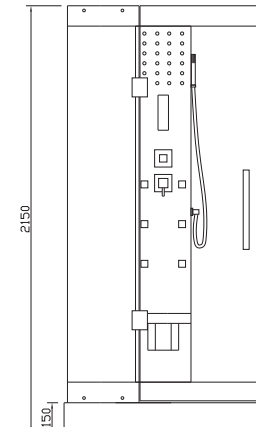
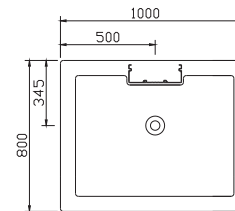
7、Fix the nail



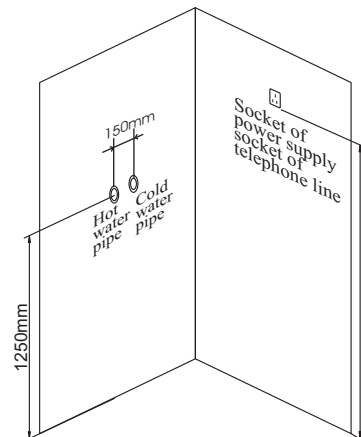
Model:WS-303(clear glass)
 Model:WS-303A(blue glass)
 Size:800X800X2150mm
 900X900X2150mm
 1000X1000X2150mm



Model:WS-304(clear glass)
 Model:WS-304A(blue glass)
 Size:750X900X2150mm
 800X1000X2150mm
 800X1200X2150mm



● INSTALLATION GUIDE



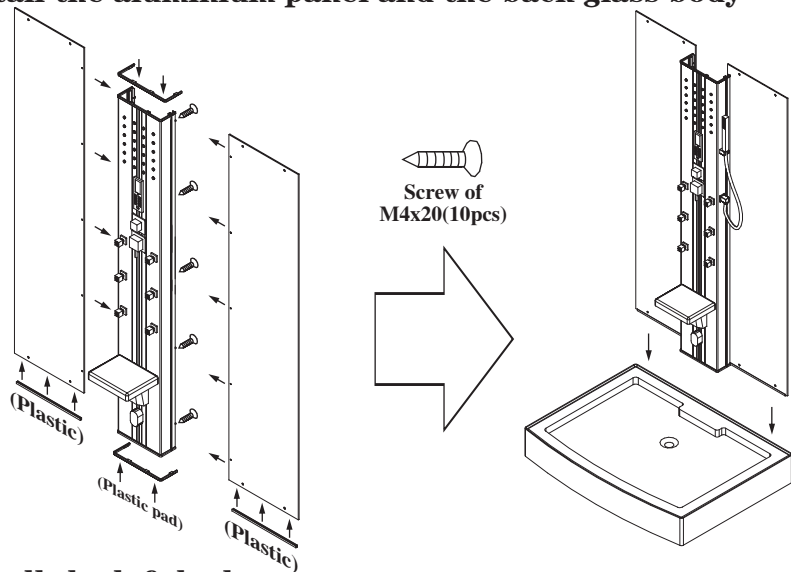
1. The plumbing and the circuit of this product must be installed by the qualified mechanic or the professional personnel who is appointed by the distributor. It is recommended to install the general switch of the power supply and the leakage protector.
2. The socket of the power supply must be installed above the steam generator; the power source wire must be long enough to reach waterproof area; the distance from the socket to the ground should be more than 1800mm.
3. It is recommended to install the general switch for cold and hot water supply, and connect the drain pipe to the limbers.
4. After the position is confirmed, assemble the steam room according to the installation sketch.

INSTALLATION PROCESS OF 300/300A
(Other models can refer to this model)

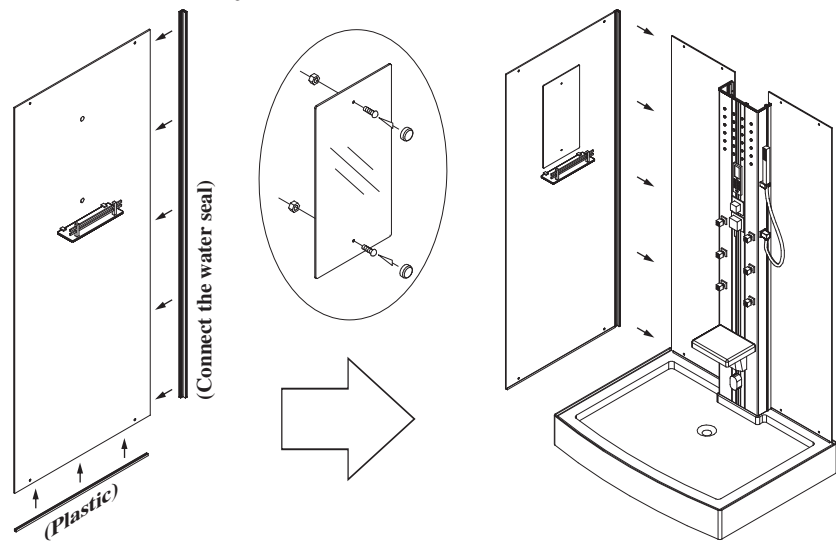
1、Install the bottom tray:

If the ground is not horizontal, please regulate the screw of the bottom tray, make the bottom tray and ground keep competence.

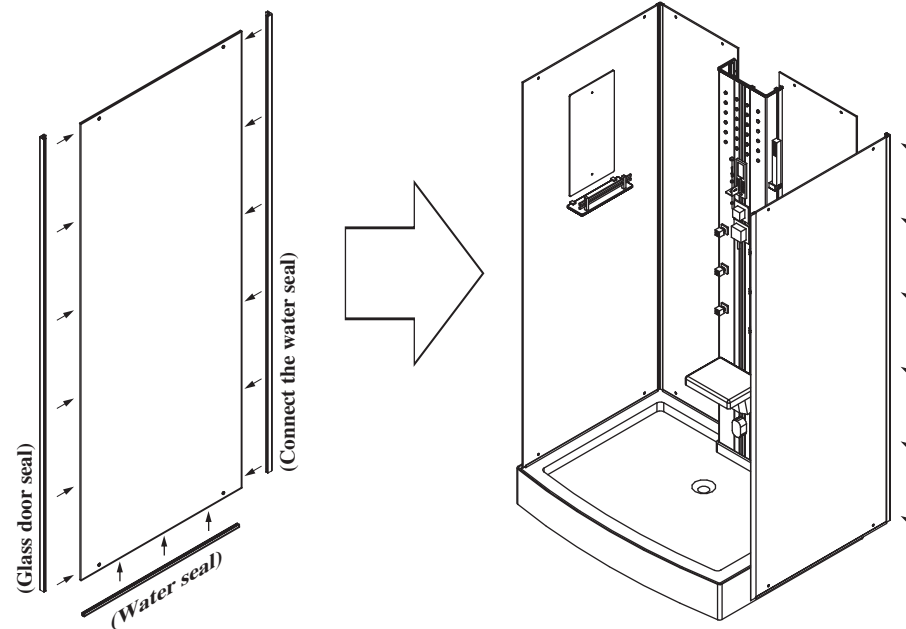
2、Install the aluminium panel and the back glass body



3、Install the left body



4、Install the right body



5、Install the fixed glass door

