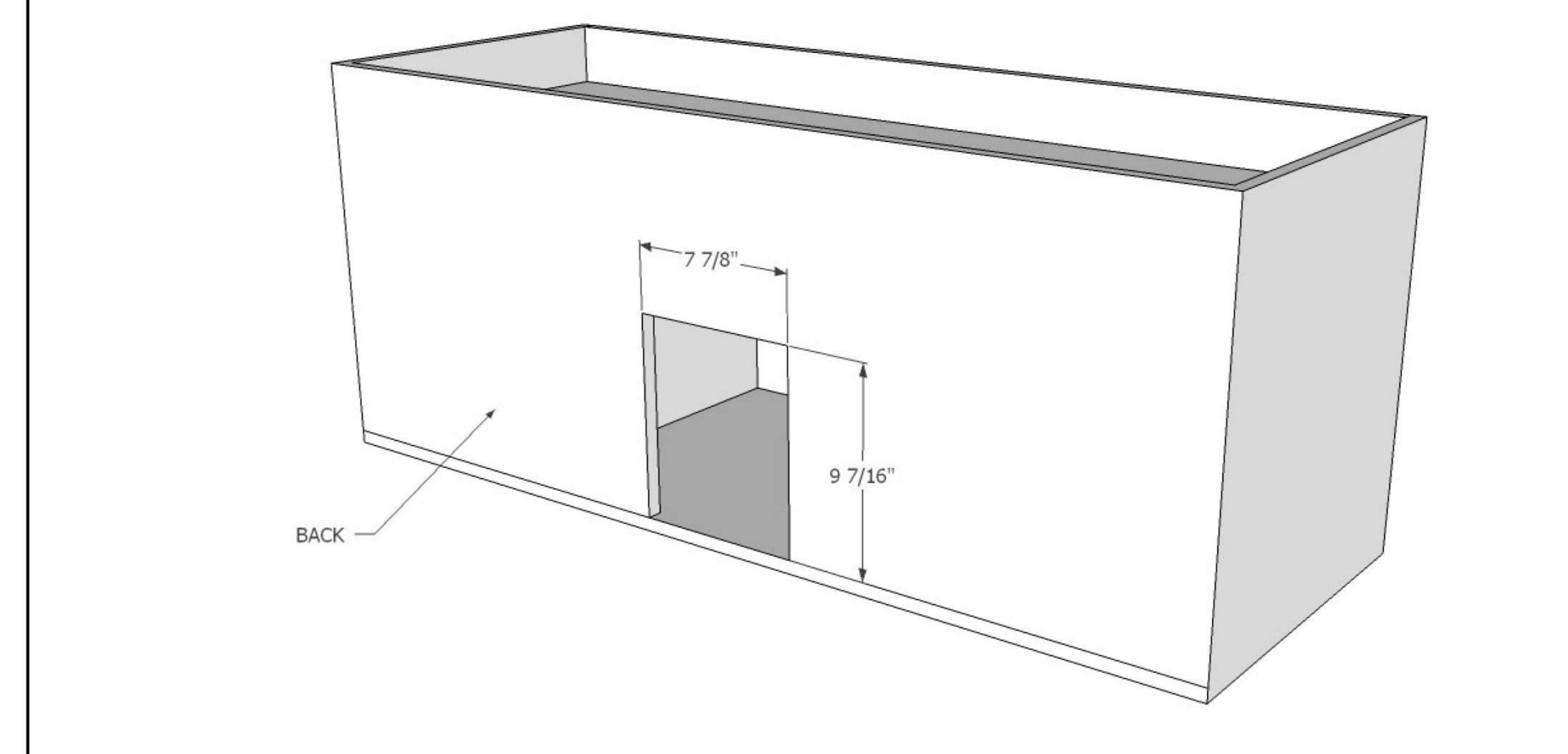


**PLUMBING SPECIFICATIONS**



SPECIFICATIONS

TITLE

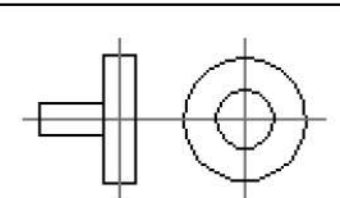
**MILANO COLLECTION**

DISCLAIMER

ALL INFORMATION CONTAINED IN THIS DOCUMENT IS CONFIDENTIAL AND SHALL NOT BE REPRODUCED OR DIVULGED, IN WHOLE OR IN PART, WITHOUT WRITTEN AUTHORIZATION FROM CUTLER KITCHEN & BATH. ALL DRAWINGS, PLANS, SKETCHES ETC. ARE PRODUCED BASED UPON INFORMATION PROVIDED BY THE CLIENT.

**CUTLER KITCHEN & BATH**

81 ROYAL GROUP CRESENT UNIT A VAUGHAN ONTARIO CANADA L4H1X9 tel:905.212.1414 fax:905.238.5512

CUSTOMER NAME N/A	CUSTOMER PO # N/A	CUTLER PO# N/A	2020 # N/A
DESCRIPTION <b>30" MILANO FLOATING VANITY</b>			MATERIAL N/A
SIZE AS PER DRAWING			EDGEBAND N/A
AUTH. BY SHANE	DATE OCT/11/2016	REVISION #	SCALE 1:1 
			PAGE # 1 OF 1