

# Sunray Saunas

## Sedona Indoor Infrared Sauna

### Canadian Red Cedar

Strength and durability with a soothing aroma.

### Dual Keypads

Both interior and exterior keypads for convenience and ease of use.

### Built-In Ergonomic Backrest

Strategically positioned backrest for maximum comfort and relaxation.

### Advanced Carbon Nano Heaters

Provides smooth evenly dispersed heat with no hot zones.



### Chromatherapy Lighting

Multi-color lighting built into the ceiling for mood enhancement.

### Oxygen Ionization System

Cleans and purifies the air to help keep the sauna clean.

### Ventilation System

Built in ceiling ventilation for advanced air flow control.

### Cabin Features

Solid wood floor and heavy duty hinged door with tempered glass.

#### Premium Bluetooth System



Bluetooth makes it easy to connect and listen to your audio devices.

#### Integrated Key Pad



Integrated digital keypad controls temperature, time, lights, heater intensity.

#### Chroma Light Therapy



Choose from 7 different colored lights that provide an array of colors that reduce anxiety and improve mood.

#### Warranty

Industry leading full 7 year structural warranty. 1 year parts warranty. Lifetime support.

#### SPECIFICATIONS

##### Construction

Canadian Red Cedar  
10mm Tempered Glass  
Tongue & Groove  
Weight: 201 Lbs

##### Exterior

Width: 36"  
Depth: 42"  
Height: 75"

##### Interior

Width: 32"  
Depth: 32"  
Height: 68"

##### Heaters

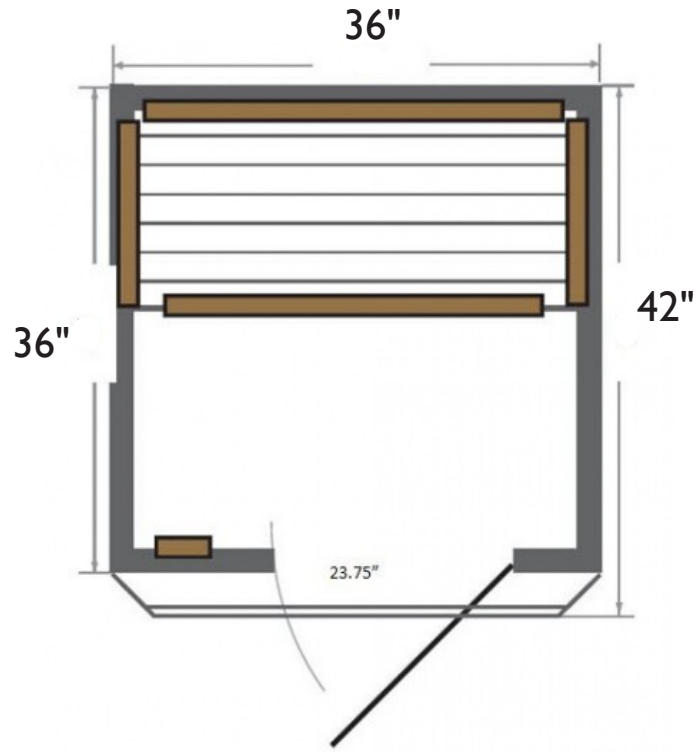
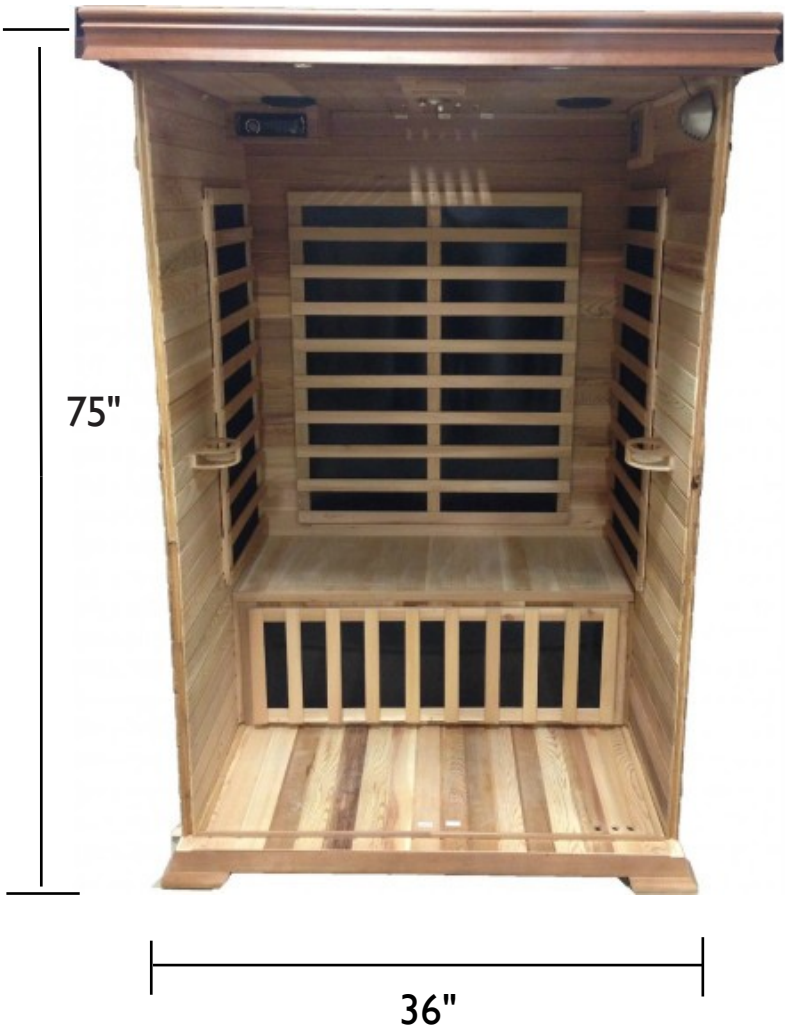
5 Carbon Nano Heaters  
1290 Watts  
120V, 15 Amp

##### Warranty Coverage

Structure 7 Years  
Electronics 1 Year  
Heaters 1 Year

# Sunray Saunas

## Sedona Indoor Infrared Sauna



### Exterior Dimensions

#### SPECIFICATIONS

##### Construction

Canadian Red Cedar  
10mm Tempered Glass  
Tongue & Groove  
Weight: 201 lbs

##### Exterior

Width: 36"  
Depth: 42"  
Height: 75"

##### Interior

Width: 32"  
Depth: 32"  
Height: 68"

##### Heater

5 Carbon Nano Heaters  
1290 Watts  
120V, 20 Amp Dedicated

##### Warranty Coverage

Structure 7 Years  
Electronics 1 Year  
Heaters 1 Year