

Sunray Saunas

Heathrow Indoor Infrared Sauna

Canadian Hemlock

Strength and durability with a soothing aroma.

Digital Keypad

Easy to use integrated Digital Control Pad.

Built-In Ergonomic Backrest

Strategically positioned backrest for maximum comfort and relaxation.

Advanced Carbon Nano Heaters

Provides smooth evenly dispersed heat with no hot zones.



Recessed Interior & Exterior Lighting

Includes both interior and exterior illumination.

Oxygen Ionization System

Cleans and purifies the air to help keep the sauna clean.

Ventilation System

Built in ceiling ventilation for advanced air flow control.

Cabin Features

Solid wood floor and heavy duty hinged door with tempered glass.

Premium Bluetooth System



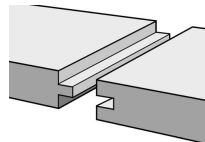
Bluetooth makes it easy to connect and listen to your audio devices.

Integrated Key Pad



Integrated digital keypad controls temperature, time, lights, heater intensity.

Tongue and Groove Assembly



Easy to assemble and operate. Takes just one hour for assembly.

Warranty

Industry leading full 7 year structural warranty. 1 year parts warranty. Lifetime support.

SPECIFICATIONS

Construction

Canadian Hemlock Cabin
10mm Tempered Glass
Tongue & Groove
Weight: 315 lbs

Exterior

Width: 48"
Depth: 42"
Height: 75"

Interior

Width: 43"
Depth: 41"
Height: 68"

Heaters

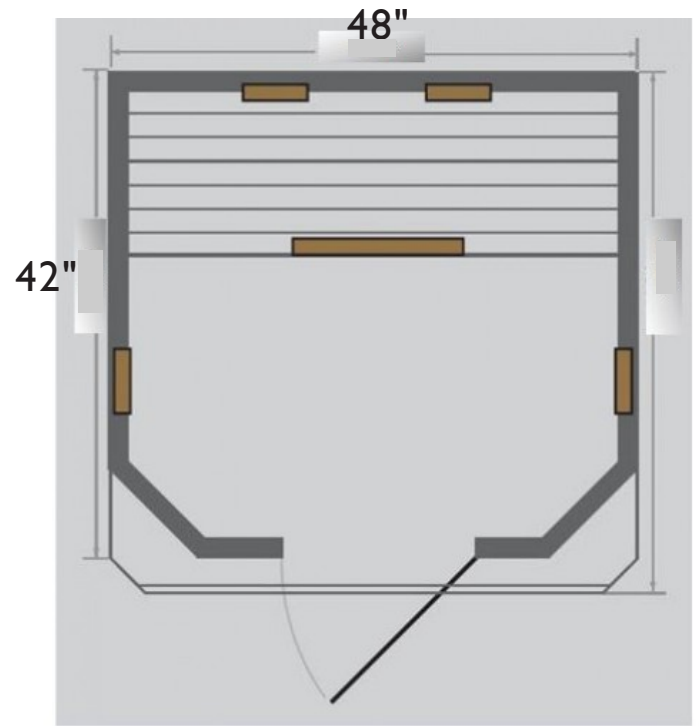
Rapid Heat Ceramic Heaters
1600 Watts
120V, 20 Amp

Warranty Coverage

Structure 7 Years
Electronics 1 Year
Heaters 1 Year

Sunray Saunas

Heathrow Indoor Sauna



Exterior Dimensions

SPECIFICATIONS

Construction

Canadian Hemlock Cabin
10mm Tempered Glass
Tongue & Groove
Weight: 315 lbs

Exterior

Width: 48"
Depth: 42"
Height: 75"

Interior

Width: 43"
Depth: 41"
Height: 68"

Heater

Rapid Heat Ceramic Heaters
1600 Watts
120V, 20 Amp

Warranty Coverage

Structure 7 years
Electronics 1 years
Heaters 1 Year