



U.S. Department  
of Transportation  
**Pipeline and  
Hazardous Materials  
Safety Administration**

**IAEA CERTIFICATE OF COMPETENT AUTHORITY  
SPECIAL FORM RADIOACTIVE MATERIALS  
CERTIFICATE USA/0632/S-96, REVISION 9**

East Building, PHH-23  
1200 New Jersey Avenue Southeast  
Washington, D.C. 20590

This certifies that the sources described have been demonstrated to meet the regulatory requirements for special form radioactive material as prescribed in the regulations of the International Atomic Energy Agency<sup>1</sup> and the United States of America<sup>2</sup> for the transport of radioactive material.

1. Source Identification - QSA Global, Inc. Model Nos. AX1, X.1, and X.1/2 (All models manufactured on or after May 17, 1977).
2. Source Description - Cylindrical double encapsulations made of stainless steel and tungsten inert gas or laser seal welded. Approximate outer dimensions of all models are 7.9 mm (0.31 in.) in diameter and 10.15 mm (0.4 in.) in length. Construction shall be in accordance with attached QSA Global, Inc. Drawing No. RBA10880, Rev. F.
3. Radioactive Contents - No more than either 3.7 GBq (100.0 mCi) of Americium-241 or 13.0 GBq (351.0 mCi) of Californium-252. The Am-241 is in oxide form and mixed with beryllium powder and pressed into a solid pellet. The Cf-252 is in the form of an oxide pressed into a pellet, a metal wire, or an oxide solid ceramic.
4. Quality Assurance - Records of Quality Assurance activities required by Paragraph 310 of the IAEA regulations<sup>1</sup> shall be maintained and made available to the authorized officials for at least three years after the last shipment authorized by this certificate. Consignors in the United States exporting shipments under this certificate shall satisfy the applicable requirements of Subpart H of 10 CFR 71.
5. Expiration Date - This certificate expires on August 31, 2022.

---

<sup>1</sup> "Regulations for the Safe Transport of Radioactive Material, 1996 Edition (Revised), No. TS-R-1 (ST-1, Revised)," published by the International Atomic Energy Agency (IAEA), Vienna, Austria.

<sup>2</sup> Title 49, Code of Federal Regulations, Parts 100-199, United States of America.

**CERTIFICATE USA/0632/S-96, REVISION 9**


This certificate is issued in accordance with paragraph 804 of the IAEA Regulations and Section 173.476 of Title 49 of the Code of Federal Regulations, in response to the July 06, 2017 petition by QSA Global, Inc., Burlington, MA, and in consideration of other information on file in this Office.

Certified By:

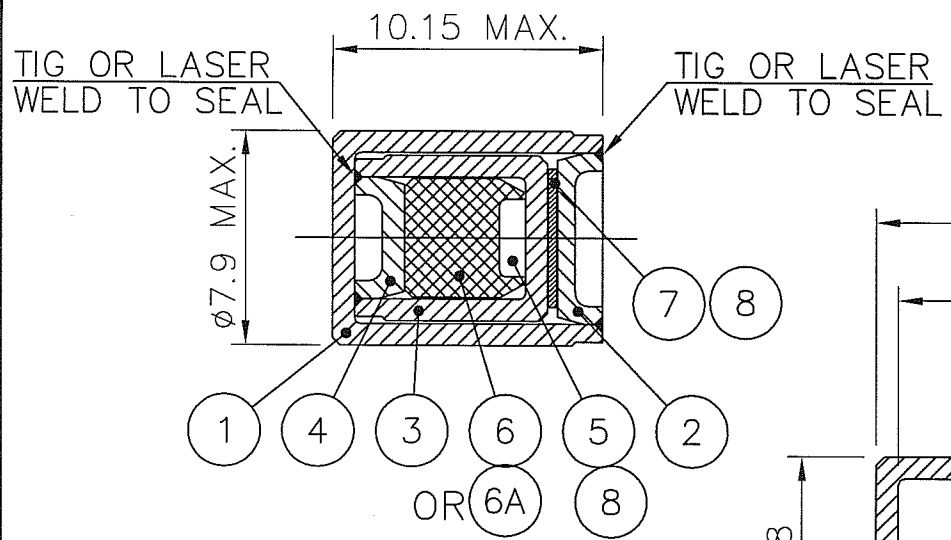


**Aug 11 2017**

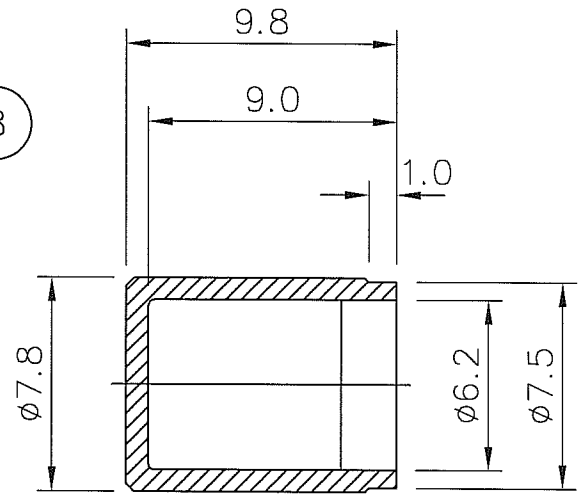
(DATE)

 \_\_\_\_\_  
William Schoonover  
Acting Associate Administrator for Hazardous Materials Safety

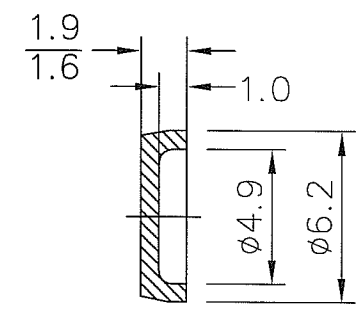
Revision 9 - Issued to extend the expiration date.



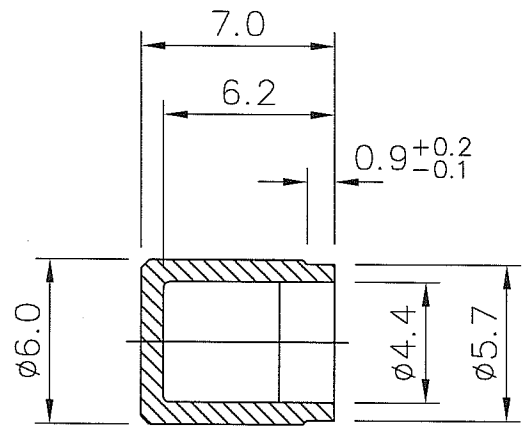
ITEM No.	DESCRIPTION		QTY.
1	SHEATH BODY	STAINLESS STEEL	1
2	SHEATH LID	STAINLESS STEEL	1
3	CELL BODY	STAINLESS STEEL	1
4	CELL LID	STAINLESS STEEL	1
5	ACTIVE MATERIAL		1
6	SPACER (MODEL X1/2 ONLY) ALUMINUM OR STAINLESS STEEL		AR
6A	SPACER (X1 OR AX1) (OPTIONAL)		AR
7	SPACER (X1 OR AX1) (OPTIONAL)		AR
8	CERAMIC FIBER PACKING(OPTIONAL)		AR



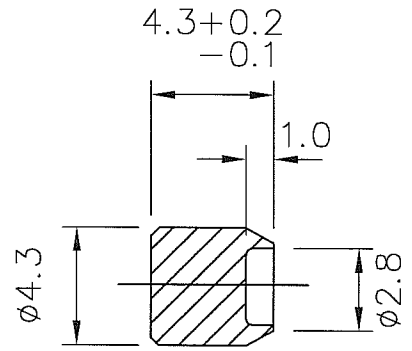
ITEM 1



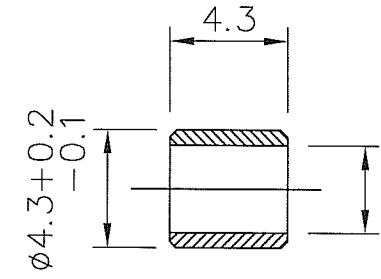
ITEM 2



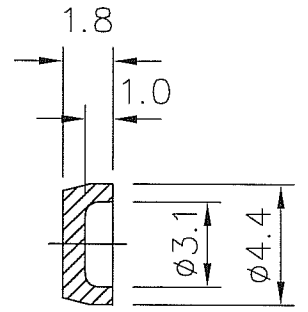
ITEM 3



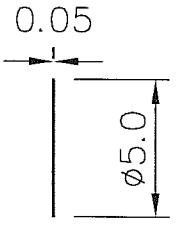
ITEM 6



ITEM 6A



ITEM 4



ITEM 7

ERF #	1878
-------	------

APPROVALS	DATE
<i>D. Hill</i>	11 Aug 08
<i>L. Redden</i>	11 Aug 08

**QSA GLOBAL**  
40 NORTH AVE, BURLINGTON, MA 01803

DESCRIPTIVE  
DRAWING

DIMENSIONS IN MILLIMETERS  
UNLESS OTHERWISE STATED TOLERANCES:

X	±0.5	INTERNAL	N7/
X.X	±0.1	EXTERNAL	N6/
X.XX	±0.05		
ANGULAR	±5°		

TITLE	AX1, X1 & X1/2 CAPSULE ASSY		
SIZE	DWG. NO.	RBA10880	REV
A	SCALE: NONE	SHEET 1 OF 1	F