



U.S. Department  
of Transportation

Pipeline and  
Hazardous Materials  
Safety Administration

East Building, PHH-23  
1200 New Jersey Ave, SE  
Washington, D.C. 20590

IAEA CERTIFICATE OF COMPETENT AUTHORITY  
SPECIAL FORM RADIOACTIVE MATERIALS

CERTIFICATE USA/0627/S-96, REVISION 4

This certifies that the source described has been demonstrated to meet the regulatory requirements for special form radioactive material as prescribed in the regulations of the International Atomic Energy Agency<sup>1</sup> and the United States of America<sup>2</sup> for the transport of radioactive material.

1. Source Identification - QSA Global, Inc. Model No. X.2084 (Manufactured on or after July 28, 1983).
2. Source Description - Cylindrical double encapsulation made of stainless steel and tungsten inert gas or laser seal welded. Approximate outer dimensions are 9.1 mm (0.36 in.) in diameter and 12.8 mm (0.5 in.) in length. Minimum wall thickness of the sheath body is 0.95 mm (0.04 in.) and of the cell body is 0.85 mm (0.03 in.). Construction shall be in accordance with attached AEA Technology QSA, Inc. Drawing No. RBA61685, Rev. A.
3. Radioactive Contents - No more than 5.55 GBq (0.15 Ci) of Americium-241. The Am-241 is in solid oxide form and mixed with beryllium.
4. Management System Activities - Records of Management System activities required by Paragraph 306 of the IAEA regulations shall be maintained and made available to the authorized officials for at least three years after the last shipment authorized by this certificate. Consignors in the United States exporting shipments under this certificate shall satisfy the requirements of Subpart H of 10 CFR 71.
5. Expiration Date - This certificate expires on August 30, 2022. Previous editions which have not reached their expiration date may continue to be used.

---

<sup>1</sup> "Regulations for the Safe Transport of Radioactive Material, 2012 Edition, No. SSR-6" published by the International Atomic Energy Agency (IAEA), Vienna, Austria.

<sup>2</sup> Title 49, Code of Federal Regulations, Parts 100-199, United States of America.

**CERTIFICATE USA/0627/S-96, REVISION 4**


This certificate is issued in accordance with paragraph(s) 804 of the IAEA Regulations and Section 173.476 of Title 49 of the Code of Federal Regulations, in response to the August 14, 2017 petition by QSA Global, Inc., Burlington, MA, and in consideration of other information on file in this Office.

Certified By:



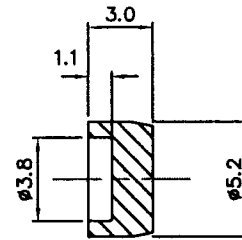
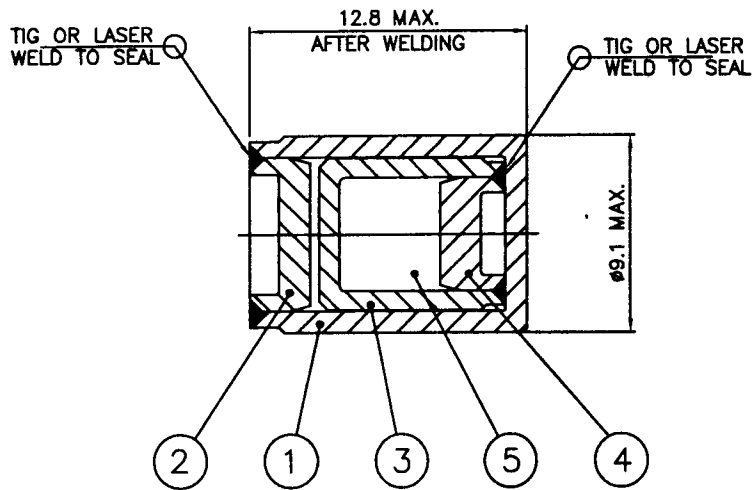
August 29, 2017

(DATE)

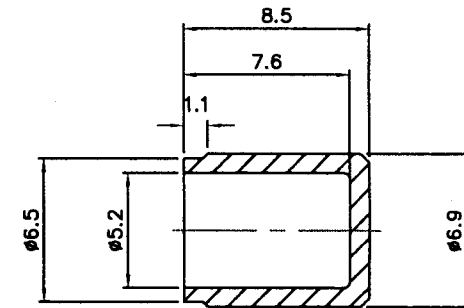
 William Schoonover  
Associate Administrator for Hazardous  
Materials Safety

Revision 4 - Issued to extend the expiration date

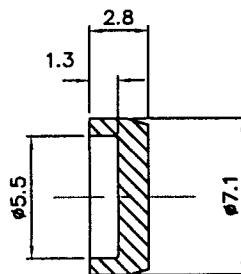
ITEM No.	DESCRIPTION		QTY.
1	SHEATH BODY	STAIN.STL.	1
2	SHEATH LID	STAIN.STL.	1
3	CELL BODY	STAIN.STL.	1
4	CELL LID	STAIN.STL.	1
5	ACTIVE MATERIAL		AR



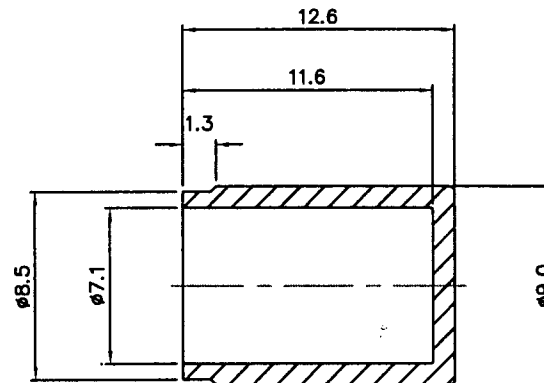
ITEM 4



ITEM 3



ITEM 2



ITEM 1

APPROVALS	
	03 MAR 03
	3 MAR 03



DESCRIPTIVE  
DRAWING

DIMENSIONS IN MILLIMETERS  
UNLESS OTHERWISE STATED TOLERANCES:

X ±0.5  
X.X ±0.1  
X.XX ±0.05  
ANGULAR ±5°

INTERNAL   
EXTERNAL

TITLE X2084 CAPSULE ASSEMBLY

SIZE DWG. NO. RBA61685

A SCALE: NONE

SHEET 1 OF 1

REV  
A

ERF #

475