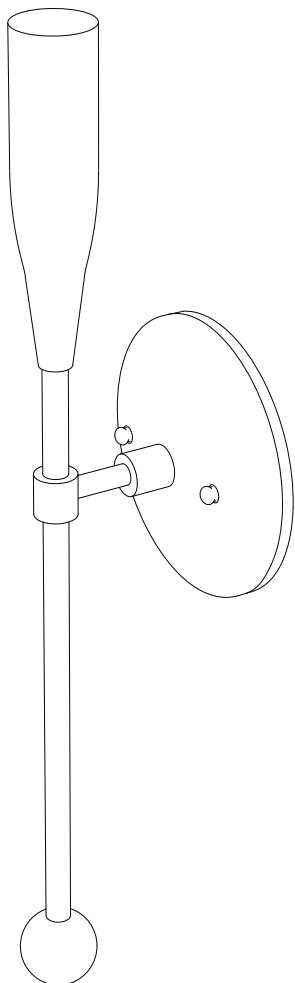


CONTENTS

Fixture (x1)



#8-32 Screws (x2)



SAFETY INFORMATION

Please contact a licensed electrician for installation.

Suitable for dry, indoor use.

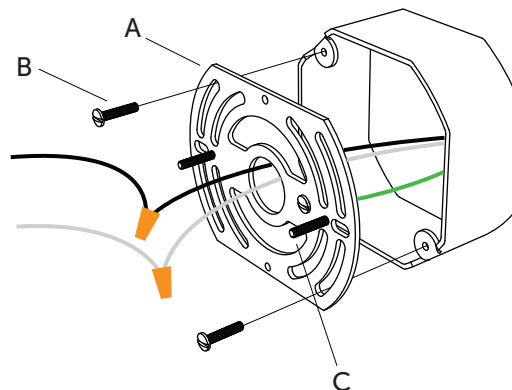
Do not use bulbs that exceed 100 watts (E-26 Medium Base Socket).

WALL INSTALLATION

1] Detach the Mounting Plate (A) from the back of the Fixture. Attach the green ground wire to the Mounting Plate (A) with the provided green ground screw.

2] Secure the Mounting Plate (A) onto the junction box using the provided #8-32 Screws (B). Make sure the Threaded Posts (C) are set level and the electrical wires are pulled out through the center of the Mounting Plate.

3] Make the wire connections from junction box wires to the Fixture while carefully holding the fixture. Push the connected wires back through the center hole of the Mounting Plate (A).



4] Fit the Fixture over the Threaded Posts (C) and press flush against the wall. Secure in place with the Mounting Caps (D).

5] Screw bulb into Fixture socket.

