

# LINDEN TABLE LAMP

# DUNN

## DESCRIPTION

The Linden Table Lamp features a linen shade and body, wood base, and brass details. A study in duality, the piece explores the balance between soft, flowing fabric and disciplined conical forms.

## DETAILS

Lead Time | 8-10 Weeks

Materials | Linen, brass, steel, hardwood

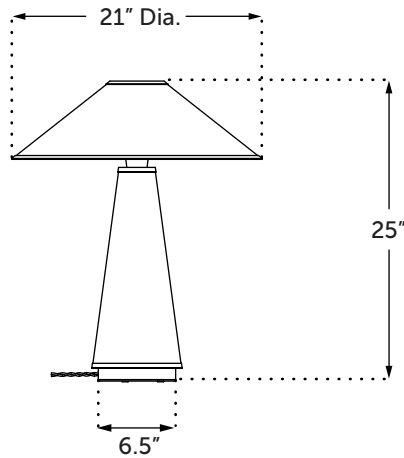
Weight | 4.5 lbs

Dimensions | 25" H x 21" Diameter


Lamping | 120V/60Hz, E26 socket

Made In | USA


## FRONT VIEW



## FINISHES

 | Cream Linen (CL)

 | Walnut Base (W)

 | Brass Details (B)

## BULBS

Sold separately. Please visit our website for details. Many styles of bulbs work with our fixtures. Please refer to the lamping specifications to determine compatibility.

## ASSEMBLING PRODUCT SKUS

**LND-TL** - **CL** - **W** - **B**  
model      linen      wood      details

## CUSTOMIZATION

No customization currently available for this product.

Finish samples sold online.

Each piece is built to order.

Designed by Studio DUNN, 2018

(401) 400-0206  
info@studiodunn.com  
www.studiodunn.com

310 Bourne Ave  
Building #1  
Rumford, RI 02916

For quotes & custom inquiries  
please contact Studio DUNN:  
info@studiodunn.com