

LINDEN TABLE LAMP

DUNN

DESCRIPTION

A contemporary table lamp with a linen shade and body, hardwood base, and brass details. The structural shape is derived from classic mid-century modern form language. Linen fabric gives a lustrous, glowing quality.

DETAILS

Lead Time | 8–10 Weeks

Materials | Linen, brass, steel, hardwood

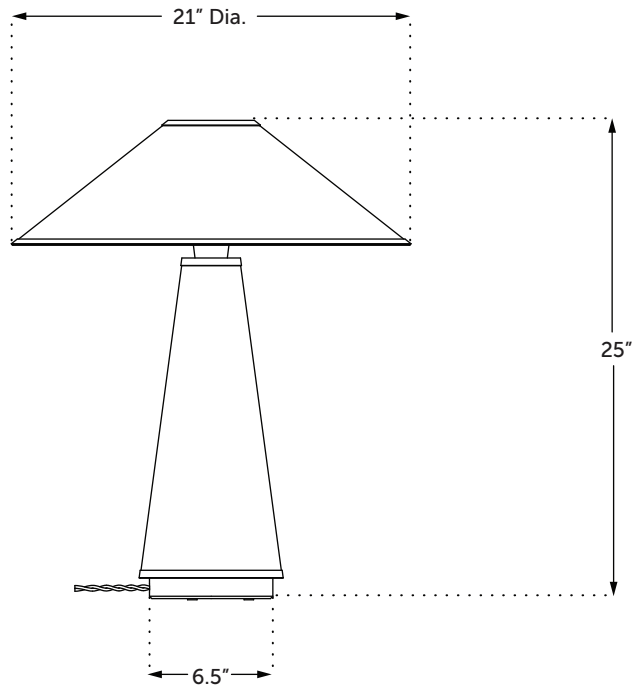
Weight | 4.5 lbs

Dimensions | 25" Height x 21" Diameter

Lamping | 120V/60Hz, E26 socket

Made In | USA

FRONT VIEW



FINISH OPTIONS



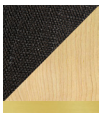
Cream Linen Shade and Body
Walnut Base
Brass Details

SKU: LIN-TL-CLWB



Charcoal Linen Shade and Body
Maple Base
Brass Details

SKU: LIN-TL-CHMB



Black Linen Shade and Body
Maple Base
Brass Details

SKU: LIN-TL-BLMB

BULBS

Sold separately. Please visit our website for details. Many different styles of bulbs work with our fixtures. Please refer to the lamping specifications to determine compatibility.

CUSTOMIZATION

Please contact us for customization options.

CERTIFICATIONS



Finish samples sold online.

(401)-400-0206
info@studiodunn.com
www.studiodunn.com

Each piece is built to order.

310 Bourne Ave
Building #1
Rumford, RI 02916

Designed by Studio DUNN, 2018

For quotes & custom inquiries
please contact Studio DUNN:
info@studiodunn.com