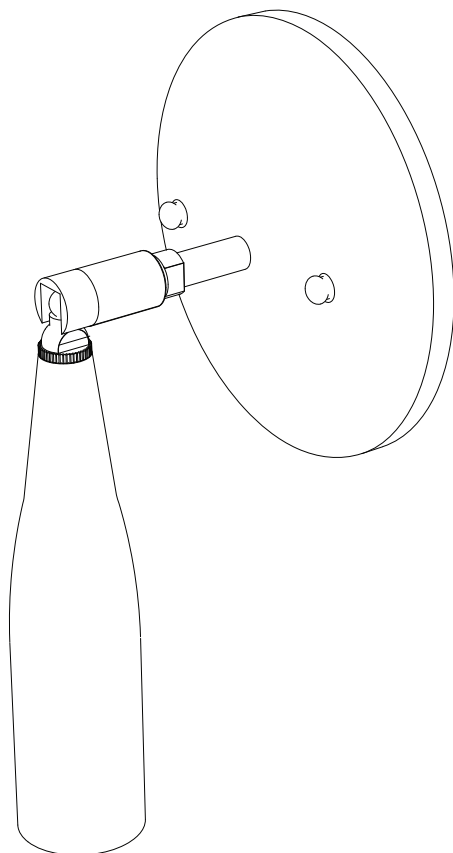


## CONTENTS

Fixture (x1)



#8-32 Screws (x2)



## SAFETY INFORMATION

Please contact a licensed electrician for installation.

Suitable for dry, indoor use.

Do not use bulbs that exceed 100 watts (E-26 Medium Base Socket).

## WALL INSTALLATION

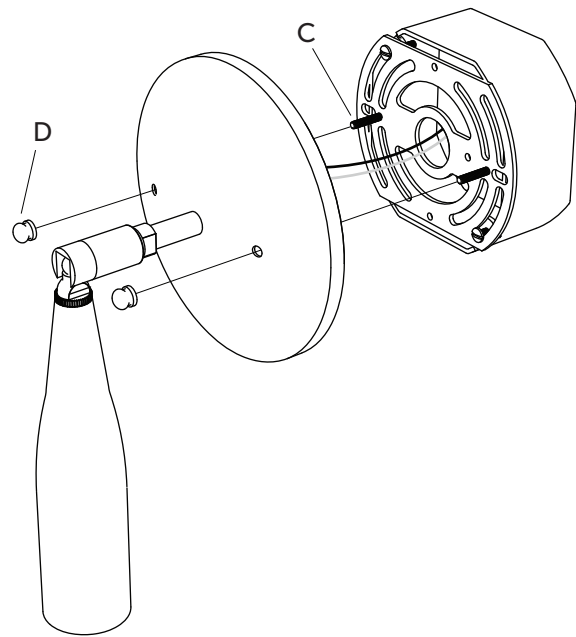
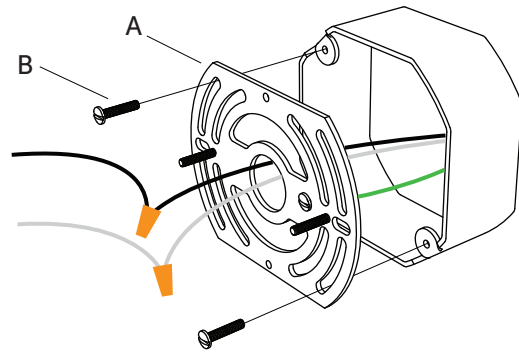
1] Detach the Mounting Plate (A) from the back of the Fixture. Attach the green ground wire to the Mounting Plate (A) with the provided green ground screw.

2] Secure the Mounting Plate (A) onto the junction box using the provided #8-32 Screws (B). Make sure electrical wires are pulled out through the center.

3] Make the wire connections from junction box wires to the Fixture while carefully holding the fixture. Push the connected wires back through the center hole of the Mounting Plate (A).

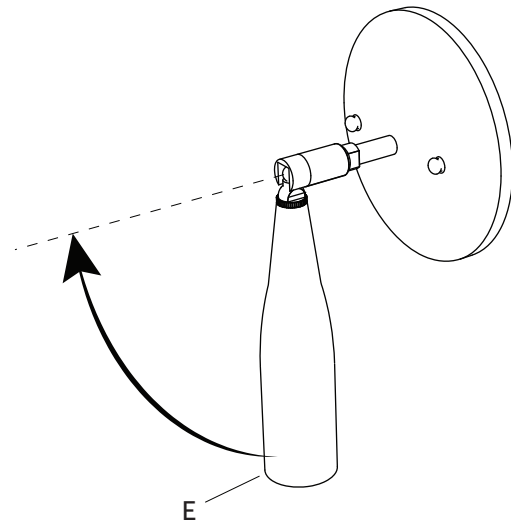
4] Fit the Fixture over the Threaded Posts (C) and press flush against the wall. Secure in place with the Mounting Caps (D).

5] Screw bulb into Fixture socket.



## WALL INSTALLATION

The Fixture's Flute (E) can tilt up roughly 90 degrees from center



and swivel side to side roughly 180 degrees from center.

