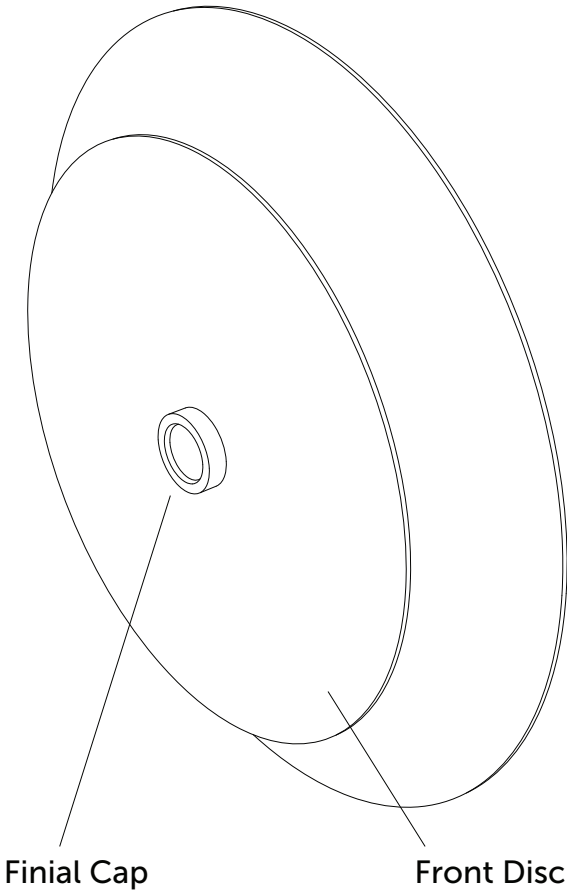


CONTENTS

Fixture (x1)

Note: Front Disc may be packed separately depending on material fragility.



#8-32 Screws (x2)



SAFETY INFORMATION

Please contact a licensed electrician for installation.
Suitable for dry, indoor use.
Do not use bulbs that exceed 60 watts (E-12 candelabra socket).

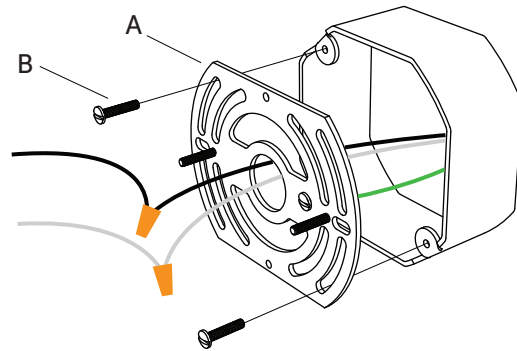
WALL INSTALLATION

1] Detach the Mounting Plate (A) from the back of the Fixture. Attach the green ground wire to the Mounting Plate (A) with the provided green ground screw.

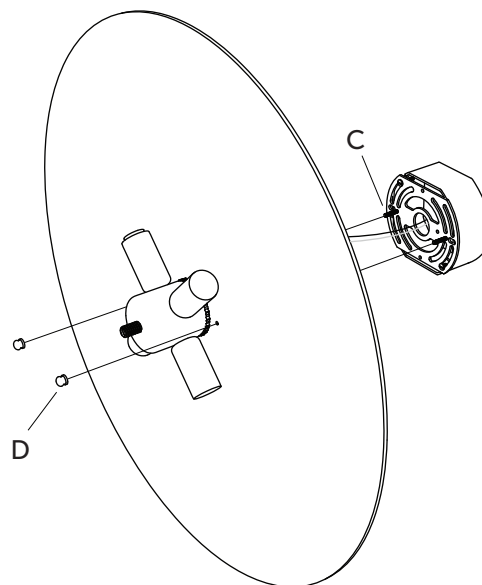
2] Unscrew the Finial Cap and remove the Front Disc from the Fixture.

3] Secure the Mounting Plate (A) onto the junction box using the provided #8-32 Screws (B). Make sure electrical wires are pulled out through the center.

4] Make the wire connections from junction box wires to the Fixture while carefully holding the fixture. Push the connected wires back through the center hole of the Mounting Plate (A).



5] Fit the Fixture over the Threaded Posts (C) and press flush against the wall. Secure in place with the Mounting Caps (D).



WALL INSTALLATION

6] Screw bulbs into Fixture sockets.

7] Fit the Front Disc (E) over the threaded rod on the front of the Fixture and secure in place with the Finial Cap (F).

If you are using glass Front Discs (E) be careful not to overtighten the Finial Caps (F) as it could damage or crack the glass.

