

CUMBERLAND SCONCE

DUNN

DESCRIPTION

The Cumberland Sconce places celestial light within reach, suspended delicately off the wall by a complementing metal canopy and fixture arm.

DETAILS

Lead Time | 6-8 Weeks

Materials | Glass, steel and brass

Weight | 3 lbs

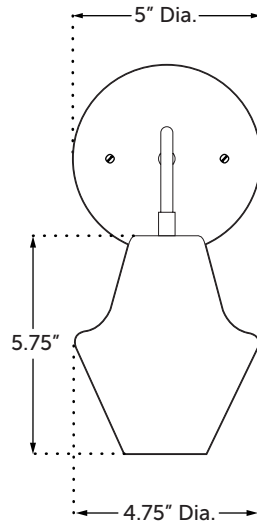
Dimensions | 10"H x 5"W x 8"D

Canopy | 5" Diameter x 1" Depth

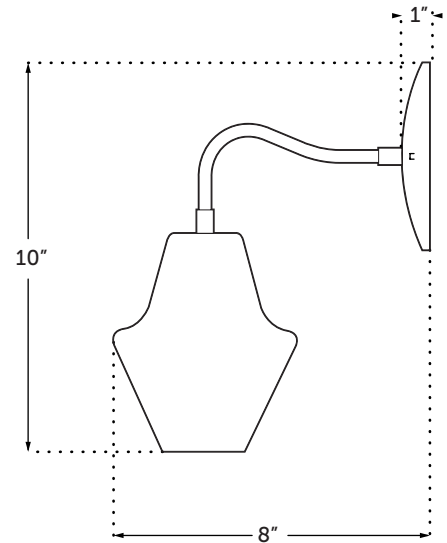
Lamping | 120V/60Hz, E12 socket

Made In | USA

FRONT VIEW



SIDE VIEW



FINISHES

Glass options:



| Opal White (W)

| Smoke Grey (B)

Metal options:



| Brushed Brass (B)

| Brushed Nickel (N)

| Oil Rubbed Brass (ORB)

BULBS

Sold separately. Please visit our website for details. Many styles of bulbs work with our fixtures. Please refer to the lamping specifications to determine compatibility.

CUSTOMIZATION

The size and color of the glass globe is not customizable.

ASSEMBLING PRODUCT SKUS



CERTIFICATIONS



Finish samples sold online.

Each piece is built to order.

Designed by Studio DUNN, 2014

(401) 400-0206
info@studiodunn.com
www.studiodunn.com

310 Bourne Ave
Building #1
Rumford, RI 02916

For quotes & custom inquiries
please contact Studio DUNN:
info@studiodunn.com