

CUMBERLAND PENDANT

DUNN

DESCRIPTION

The Cumberland Pendant, crafted by a local glassblower, hangs like a celestial orb from a ceiling canopy above.

DETAILS

Lead Time | 6-8 Weeks

Materials | Glass, steel, fabric-covered SVT cord

Weight | 3 lbs

Cord | 8ft included. Can be cut on site.

Lamping | 120V/60Hz, E12 socket

Made In | USA


FINISHES

Glass options:

 | Opal White (W)

 | Smoke Grey (B)

Metal canopy options:


 | Brushed Brass (B)

 | Brushed Nickel (N)

 | Oil Rubbed Brass (ORB)

Metal detail options:


 | Brass (B)

 | Nickel (N)

Metal details include canopy screw caps and strain relief.

Fabric-covered cord options:

 | Black (B)

 | White (W)

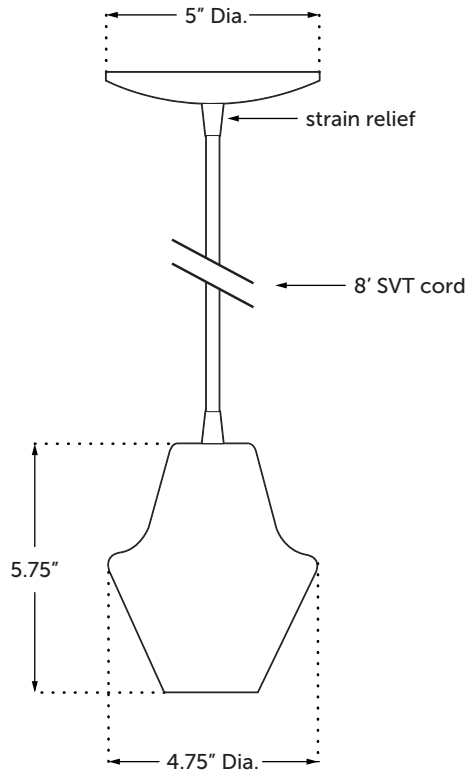
ASSEMBLING PRODUCT SKUS

CUM - **W** - **B** - **B** - **W**
model glass canopy detail cord

Finish samples sold online.

(401) 400-0206
info@studiodunn.com
www.studiodunn.com

FRONT VIEW



BULBS

Sold separately. Please visit our website for details. Many styles of bulbs work with our fixtures. Please refer to the lamping specifications to determine compatibility.

CUSTOMIZATION

The size and color of the glass globe is not customizable. The length of the SVT cord can be cut on site.

CERTIFICATIONS



Each piece is built to order.

310 Bourne Ave
Building #1
Rumford, RI 02916

Designed by Studio DUNN, 2012

For quotes & custom inquiries
please contact Studio DUNN:
info@studiodunn.com