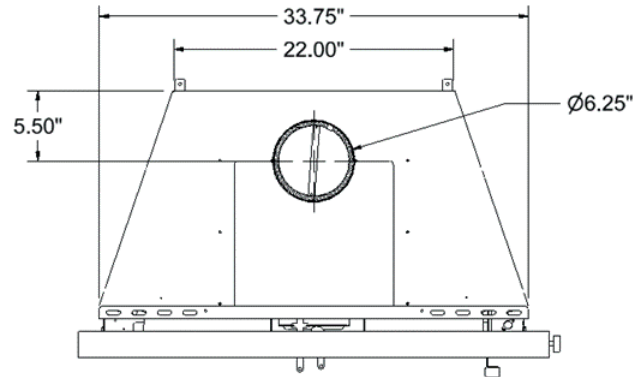




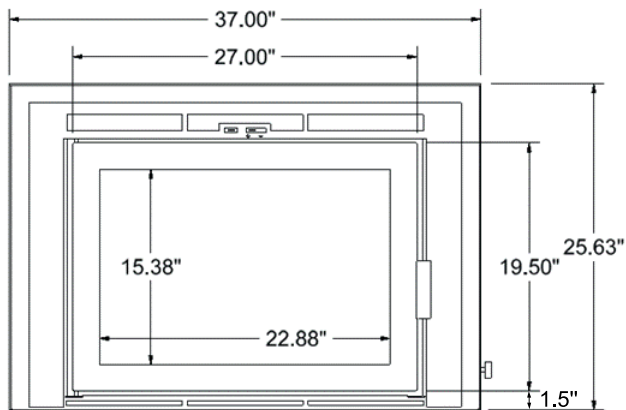
Model: **Flair**<sup>®</sup> 34

**Dimensions**

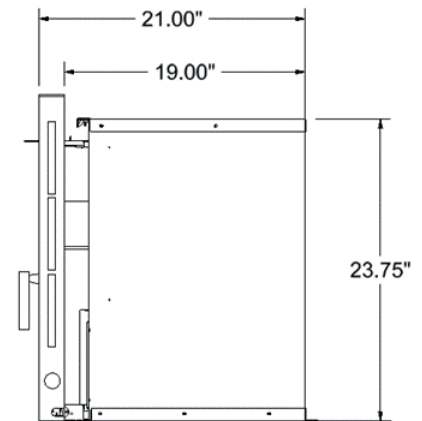
Top View



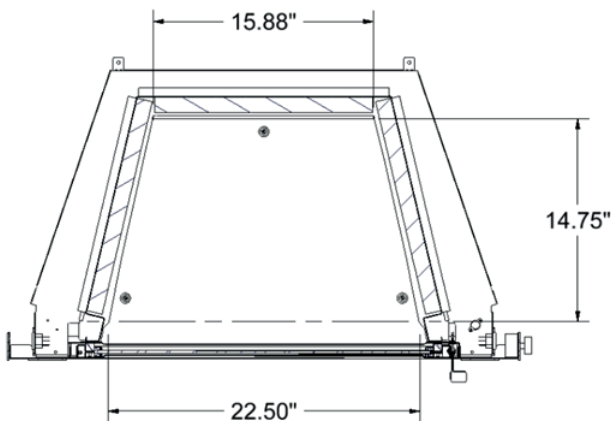
Front View



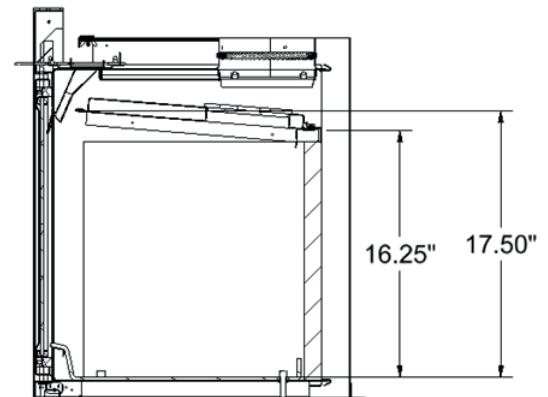
Side View



Cut - Top View



Cut - Side View





## Model: Flair<sup>®</sup> 34

### Required Surround

A surround comes standard with the FLAIR<sup>®</sup> (UWB400). Please refer to Figure 2-5 for dimensions.

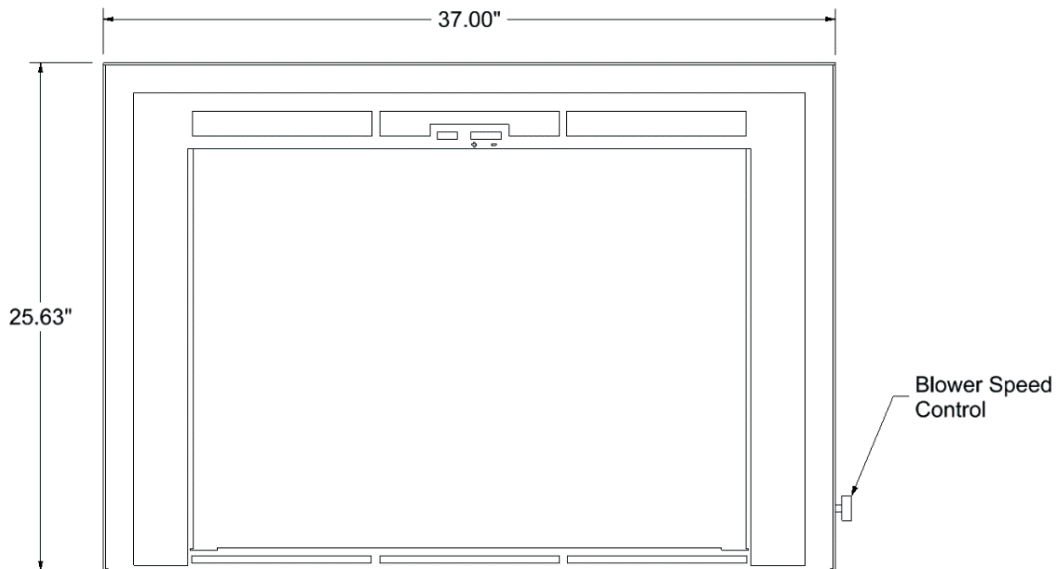
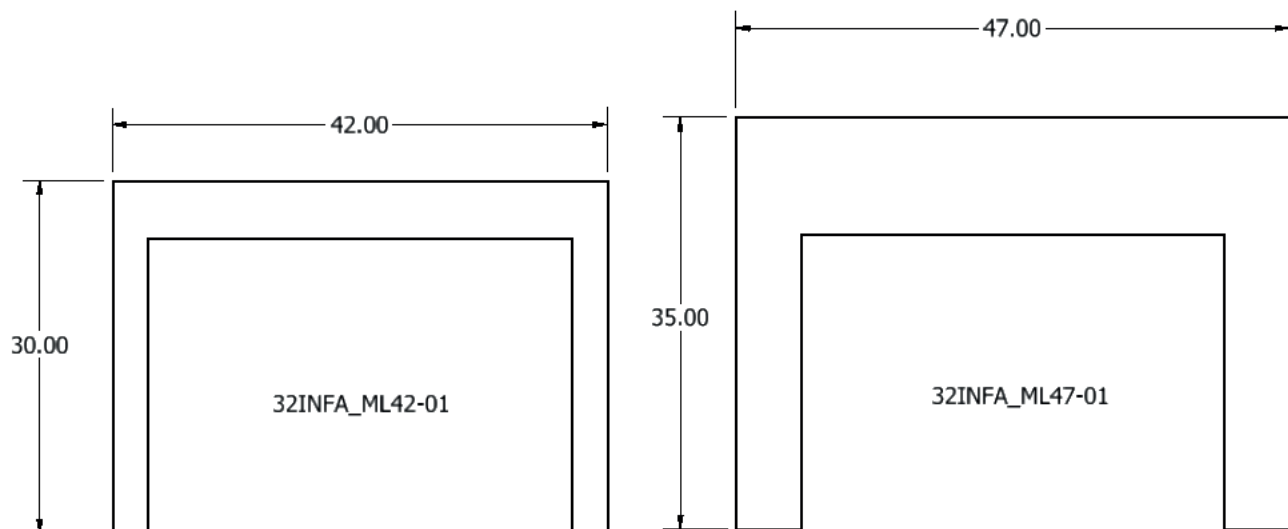


Figure 2-5 : FLAIR<sup>®</sup> 34 Surround

### Optional Backplates

A 12 gauge thick backplates option is offered to cover the opening between the existing masonry fireplace and the surround of the unit. It is permitted to cut the surround for installation or aesthetic purposes. Please refer below to the backplate options of the FLAIR<sup>®</sup> insert.





Model: Flair<sup>®</sup> 34

Specifications

BTU		FIREBOX		EFFICIENCIES			VENTING
Cordwood	EPA	Cu. Ft	Log Length	g / hr	Optimal %	HHV	Diameter
90,000	49.358	3.2	22"	1.59 g	75 %	66.07 %	6-inch

GLASS			DIMENSIONS			BLOWER	
Type	Dimensions	Area sq in	Width	Depth	Height	Type	CFM
Ceramic	22.875" W X 15.375" H	352	33.75"	19"	23.75"	Variable speed and heat activated	110

Minimum Opening Dimensions

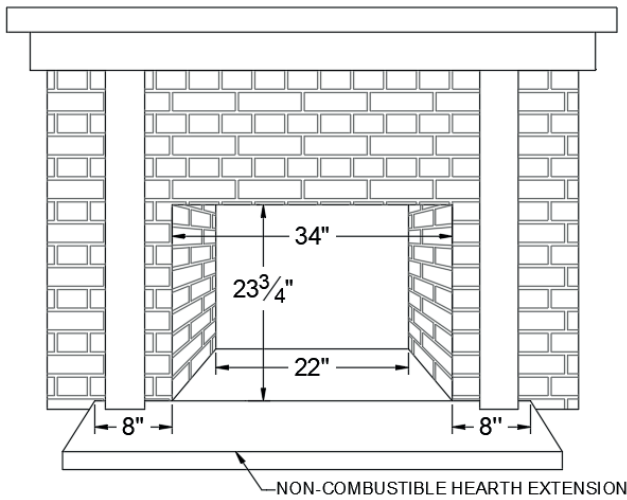


Figure 3-1 : Minimum Opening Dimensions  
- Front View

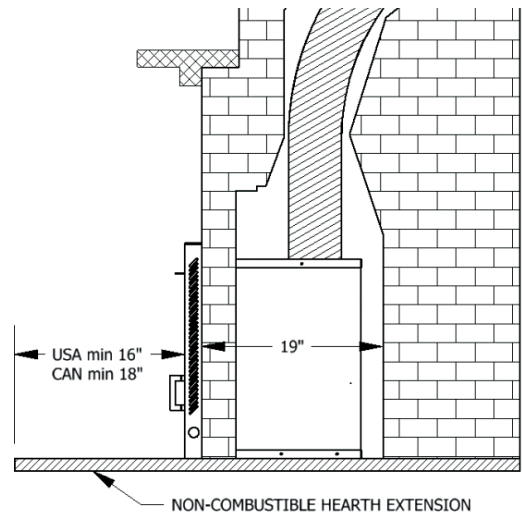


Figure 3-2 : Minimum Opening Dimensions  
- Side View

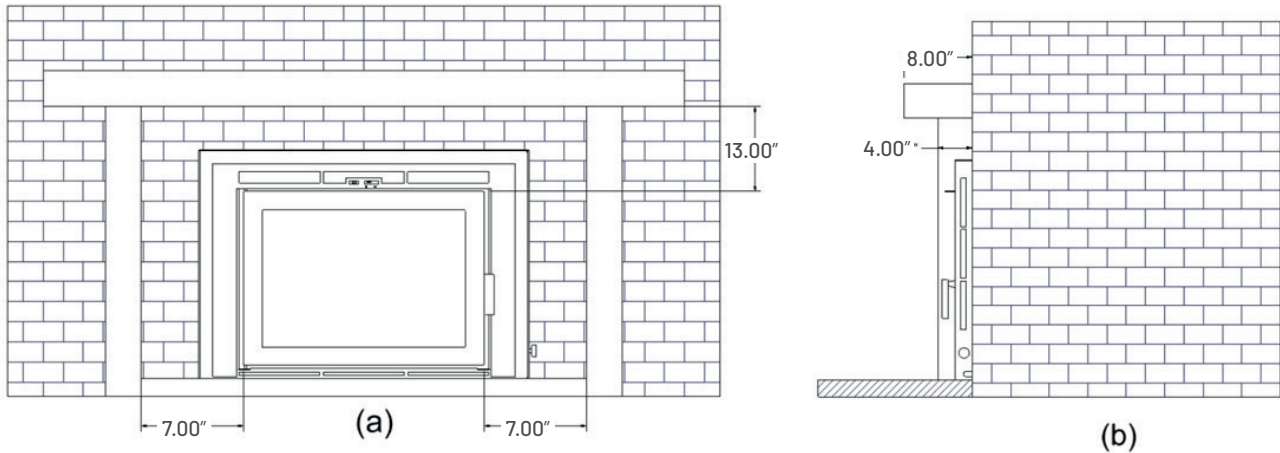
Table 3-1 : Minimum Opening Dimensions

Width (Front)	34" (864 mm)
Width (Back)	22" (559 mm)
Height	23.75" (603 mm)
Depth	19" (483 mm)



Model: **Flair® 34**

**Clearances to Combustibles**



**Figure 3-8 : Clearances to Combustibles (a) Front View (b) Side View**

**NOTE:** The non-combustible hearth must extend a minimum of 16" for USA (406 mm) and 18" (457 mm) for Canada from the door and 8" (203 mm) on each side of the masonry fireplace opening and must be a minimum of 50" (1,270 mm) long.

**WARNING:** Keep a minimum distance of 5' (152 cm) from the unit to any combustible material (such as firewood, furniture, and drapes) as a fire hazard precaution.

The depth of the mantel is measured from the face of the fireplace door. When the non-combustible wall is recessed, the depth of the mantel can be increased by the amount of the recess.

**Note that a mantel cannot be installed below the minimum clearance of 13" from the bottom of the mantel to the top edge of the door.**

Sidewall from outer edge of fuel door	15.5" (394 mm)
Side trim (max 4" depth) from outer edge of fuel door	7" (178 mm)
Protruding mantel (max 8" depth) from top edge of fuel door	13" (330 mm)
Height (H) from the base of the unit to the floor with a non-compliant N.F.P.A. 211 hearth extension having a negligible R-value	13" (330 mm)
Height (H) from the base of the unit to the floor with a non-compliant N.F.P.A. 211 hearth extension having a R-value of 2.957	USA: 3.5" (89 mm) CAN: 1.25" (32 mm)

**Table 3-3 : Examples of Depth with Respect to Distance from Top Edge of Door**

Maximum mantel depth	Distance from the top edge of the door of the FLAIR® to the bottom of the mantel
8" (203 mm)	13" (330 mm)
10" (254 mm)	15" (381 mm)
12" (305 mm)	17" (432 mm)



## Model: Flair® 34

### Circulating chamber

The circulating chamber is a standard component of the FLAIR® insert. It is designed to prevent heat escaping to the existing chimney and allows for an optimal flow and heat transfer. The top removable bracket can be taken off during installation to allow for better accessibility to the liner adaptor. Note that the top removable bracket needs to be installed and fastened (2 wing nuts) before operating the FLAIR®.

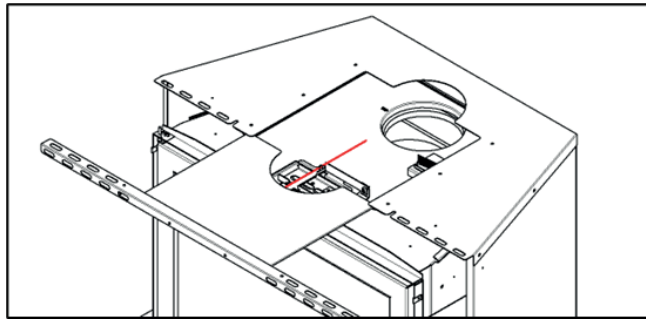
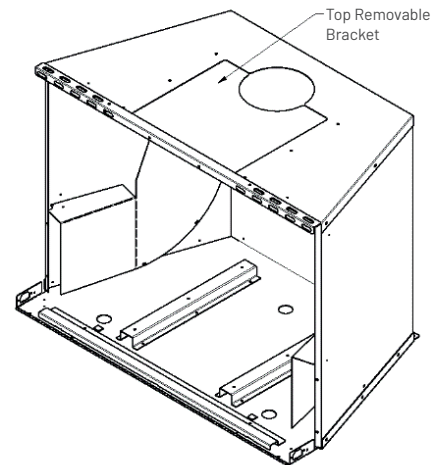


Figure 3-6: Circulating Chamber Top Removable Bracket

### Blower Kit

A blower kit is included in the FLAIR® fireplace insert, which comprises of two compact blowers (120V, 60Hz, 1.1A) mounted at the bottom on either side of the firebox and a heat sensory thermodisk. The kit includes a variable speed control to adjust the speed of the fans. Do not install a substitute kit as this may result in overheating and risk of fire.

**CAUTION: Do not route the power cord under or in front of the unit, on hot surfaces, and on sharp edges.**

**NOTE:** Disconnect the power supply when accessing any electrical components in the FLAIR® insert fireplace.

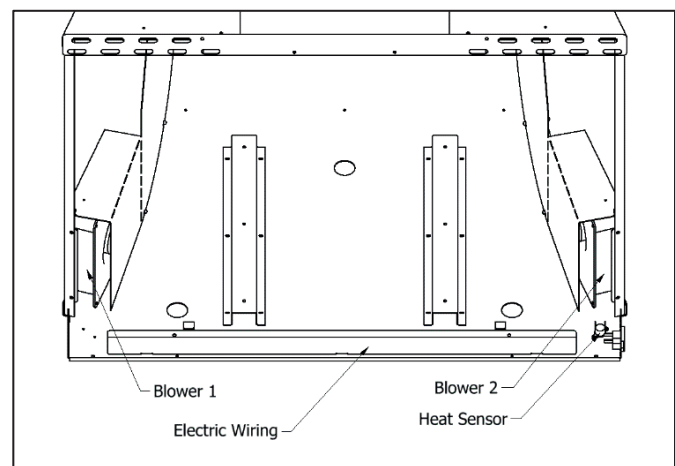


Figure 4-3: Blower Kit Configuration

Model: Flair<sup>®</sup> 34

Electric Diagram of Blower Kit

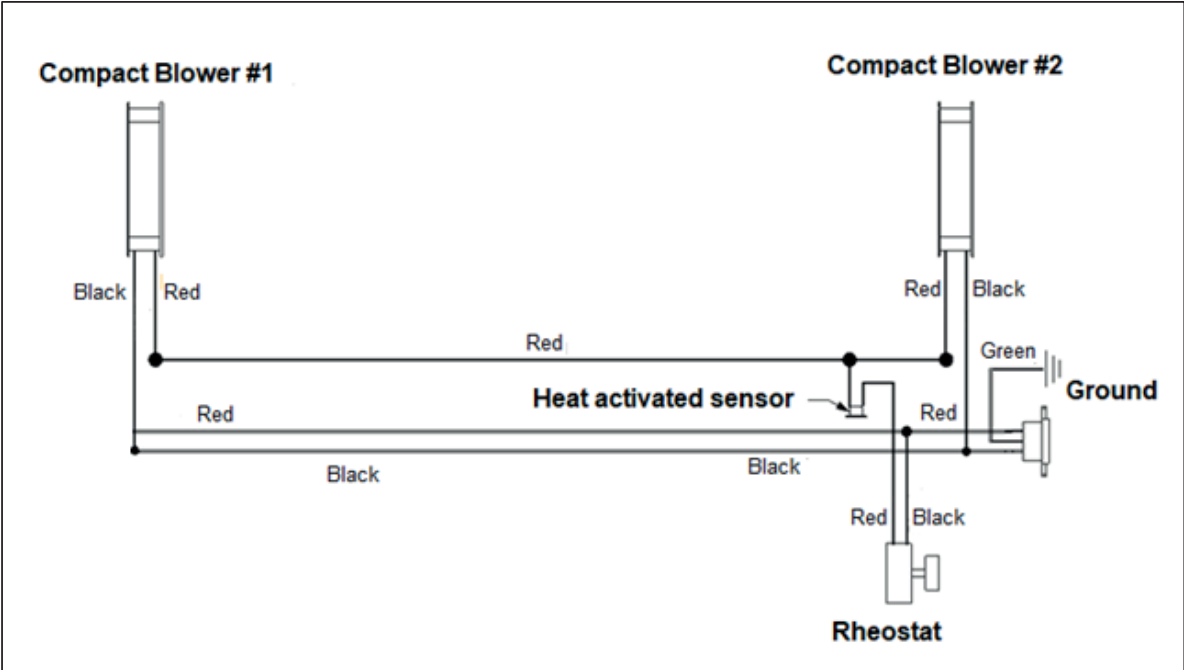


Figure 4-4: FLAIR<sup>®</sup> Blower kit - Electrical Diagram

Optional Fresh Air Kit

Sufficient air exchange is necessary for the fireplace to operate properly and to maintain a good combustion. In an airtight household, the fireplace may not function as designed due to a lack of air, it is therefore recommended to install the fresh air kit in such cases. The fresh air system is an optional kit intended to bring combustion air into the fireplace from an exterior source.

Note that the FLAIR<sup>®</sup> is designed to use a minimum amount of air during operation. Using an air exchanger or simply opening a nearby window/door during the ignition of the unit will achieve a similar result as the fresh air kit. When the fireplace is idle, there is no air escaping from the house through chimney. **Consult a local authority having jurisdiction (such as the fire department, the municipal building department, the fire prevention bureau) to determine if it is mandatory to install a fresh air kit in your area.**

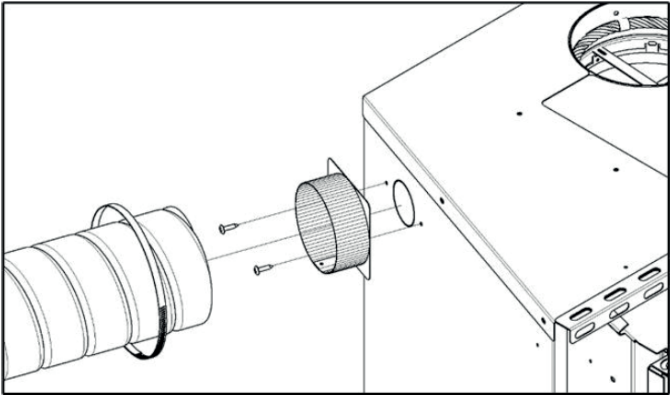


Figure 4-5: Fresh Air Adapter Installation