

RetroFire™

Small Insert



renos 101:
the perfect fit
for the hard-to-fit.

valor®

What is the RetroFire™?

The RetroFire™ is a radiant heat gas fireplace insert with a unique size and shape that fits into more existing fireplaces than any other. RetroFire™ is the fireplace that fits.

Is the RetroFire™ right for you?

RetroFire™ is essentially a high efficiency gas log set, direct vent sealed for your safety and performance. You'll notice the difference in radiant warmth, efficiency and air quality, and you'll feel more comfortable.



Enjoy your fireplace again.

Refresh your old wood-burning masonry or factory-built fireplace without entering into a costly renovation.



Out with the old - not quite!

The RetroFire™ means you can preserve architectural details that you prefer to keep, such as masonry or stone.



Fits where others can't.

Small, yet powerful, RetroFire™ fits into small or uniquely shaped openings—like arches and boathouse design—with its modest size and accommodating shape.



Traditional Logs



Driftwood

Get fired up!

RetroFire™ firebed has been tried and tested across the Valor® line so you can enjoy a sure-fire flame and the comfort of radiant heat every time you turn the fire on.

Nothing to vent about.

No other fireplace insert has the flexibility of RetroFire™. With three different vent options, RetroFire™ makes it easier than ever to fit into small chimneys.

Your authorized Valor dealer will be able to offer you exactly what you need to make your RetroFire® come to life.

Find out more at valorfireplaces.com/retrofire or speak to your dealer.

Proudly made in North America

1 Choose your logs:

Driftwood **New**



MF28DWK

Traditional Log **Improved**



MF28LSK

Choose this standard look for a clean finish. 

2 Customize with optional frets:

Ventana Black fret



1225VFB

Contemporary Vintage Iron fret



RA24CV

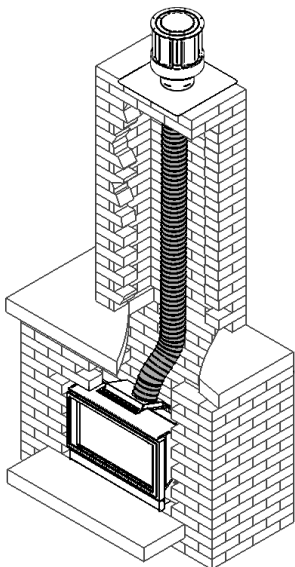
Traditional Black fret



RA24TB

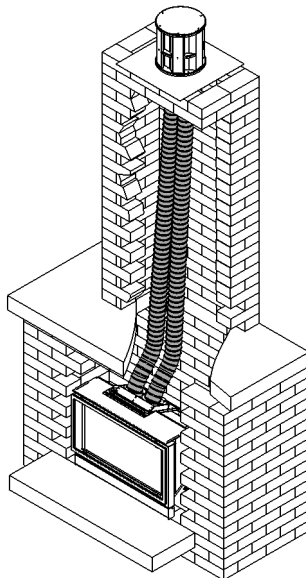
3 Your dealer can help you select venting:

Co-axial **New**
5" Co-axial Flex vent



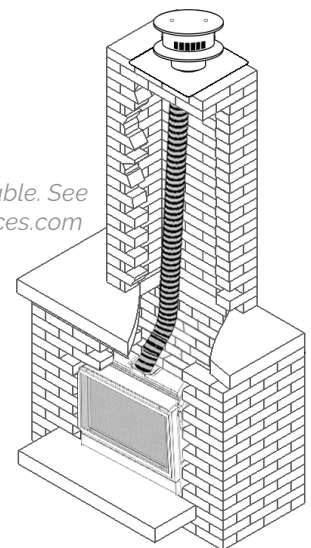
Natural Gas RF24JDN-CA
Propane RF24JDP-CA

Colinear with **New AutoFire™**
2x3" Flex vent



Natural Gas RF24JDN-CL
Propane RF24JDP-CL

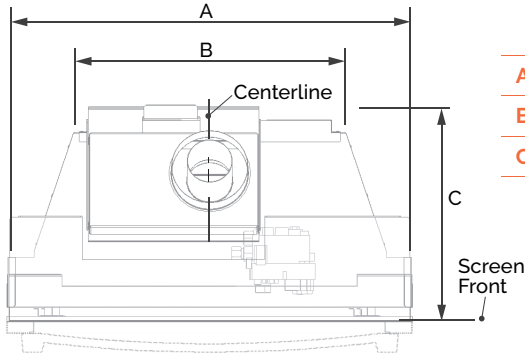
B-vent
3" Flex vent



Natural Gas RF24JBN
Propane RF24JBP

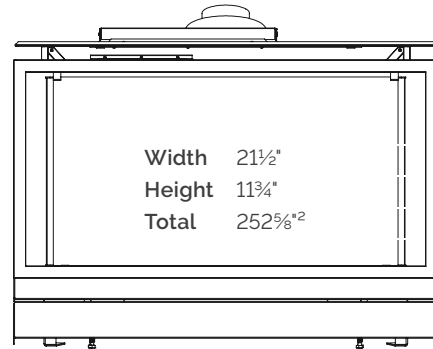
ZC kit available. See valorfireplaces.com

Dimensions

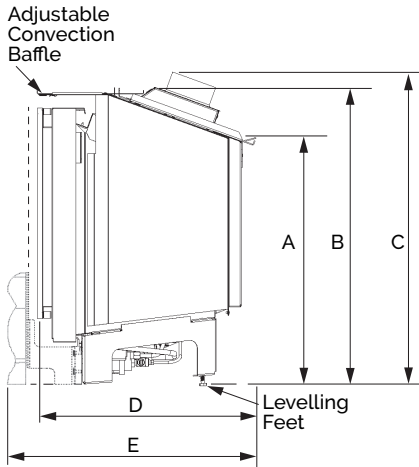


	D-Vent	B-Vent
A	26½"	26½"
B	17¾"	17"
C	14"	12 - 14¾"

Window Size



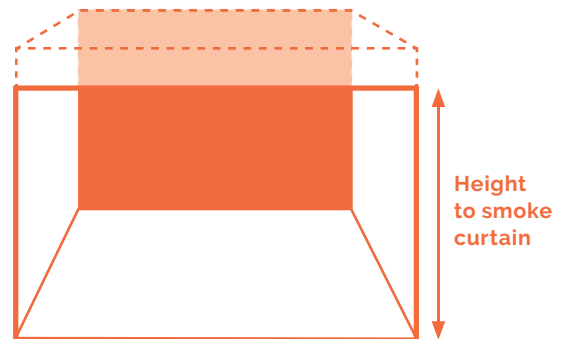
Co-axial Direct vent shown.



	D-Vent	B-Vent
A	15⅞"	n/a
B	19¾"	19"
C	21¼"	20½"
D*	14"	14"
E**	15¾"	15⅞"

*to screen **with fret

Minimum Cavity Dimensions



	D-Vent	B-Vent
Width	27"	29"
Height	20"	19½"
Height to smoke curtain	18"	18"
Depth	14"	14"
Depth w/fret	15¾"	15"

Efficiency Ratings

Type	Fuel	High Input	Low Output	Max Output*	EnerGuide % Rating*	Model
D-Vent coaxial	NG	20,000	6,500	14,322	70	RF24JDN-CA
	LP	18,000	12,500	13,248	67	RF24JDP-CA
D-Vent colinear	NG	20,000	6,500	14,294	64	RF24JDN-CL
	LP	18,000	12,500	12,118	58	RF24JDP-CL
B-Vent	NG	20,000	12,500	13,468	54	RF24JBN
	LP	18,000	12,500	12,121	54	RF24JBP

*EnerGuide Ratings and Outputs have been determined without a fan/blower, using the CSA P4.1-15 test method (2017).

WARNING

This product can expose you to chemicals including Benzene, which is known to the State of California to cause cancer and birth defects or other reproductive harm.

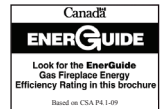
For more information go to www.P65Warnings.ca.gov.

Note: Natural gas, in its original state, contains Benzene.

Dealers:

To install, always depend upon the **RetroFire™** manual for the most accurate installation information.

valorfireplaces.com/retrofire



Designed and manufactured by Miles Industries Ltd. Copyright Miles Industries Ltd. 2018