

Portrait

ZERO CLEARANCE + INSERT SERIES

CUSTOMIZE
TO SUIT YOUR HOME.



Radiant
Gas Fireplaces

THE SCIENCE OF WARMTH™

Since 1890, we've been pioneering and perfecting radiant heat technology that generates constant, comfortable warmth within your home.

ADJUSTABLE HEAT

Adjustable flame for constant, even warmth without having to cycle the fire on and off.

EFFICIENCY

Radiant zone heating is up to 25% more efficient than central forced air systems.

SAFETY

Our fires are put through rigorous safety testing in our in-house CSA approved lab.

COVER:

WINDSOR ARCH CHROME +
FRAMING PLATE 539AFPv2
TRADITIONAL LOGS +
FLUTED BLACK LINER 530LSK



RADIANT HEAT

What's makes Valor unique?
We put radiant heat technology
into every fire. You can feel it.

REALISTIC LOGS

High definition, low mass fiber
ceramic logs heat up and glow
quickly, radiating warmth.

CERAMIC GLASS

Durable and robust
ceramic glass improves
radiant performance.

NO POWER. NO PROBLEM.

Valor stoves heat without electricity—
even in a power failure.

SUPERIOR ALUMINIZED STEEL

Aerodynamic aluminized steel
firebox handles high temperatures,
delivering efficient radiant warmth.

**ROCKS +
FLUTED BLACK LINER 530RSK**

**PROUDLY MADE
IN NORTH AMERICA**

Please Note: Printed images may vary from actual product. All product information is accurate at time of printing and is subject to change. For more information, visit valorfireplaces.com



CLEARVIEW VINTAGE IRON +
BACKING PLATE 545CFVZC
DRIFTWOOD 530DWK
REFLECTIVE GLASS LINER 580RGL

FIRE BED + LINERS

We designed these expertly crafted logs, rocks and coals as realistic-looking as possible, and engineered them to harness radiant heat from the flames and glowing embers.

A reversible liner—Red Brick or Fluted Black—is included with the Traditional logs and

Coal, while the Driftwood and Rocks feature a Fluted Black liner. The optional Reflective Glass liner looks great with any of the fire beds.

Visit your local Valor dealer to see a fire; or for a video go to valorfireplaces.com

TRADITIONAL LOGS + RED BRICK





**DRIFTWOOD AND
OPTIONAL REFLECTIVE GLASS**



**ROCKS AND
OPTIONAL DECORATIVE ROCK**



COAL + FLUTED BLACK LINER



SMALL OR LARGE RENOVATION?

Except for the Ledge, all our Portrait fireplaces are available as insert fireplaces for existing masonry; or as zero clearance fireplaces, allowing you to start fresh without an existing fireplace.



CLASSIC ARCH + BACKING PLATE 550CPAv2
COAL + BLACK FLUTED LINER 530CSK

ARCHED FRONTS

Arched fronts never go out of style. The detailed design set in durable cast iron with either a chrome or powder-coated black finish creates a feature in any room—standing the test of time in craftsmanship and design.

CLASSIC ARCH

The Art Deco style of Classic Arch features brushed chrome highlights over a black finish.

The Classic Arch's square cast iron back plate (pictured) provides a seamless transition to your surround.

BRUSHED CHROME





CHROME HIGHLIGHTS

BLACK CAST

WINDSOR ARCH

The Victorian castings features a black finish—with or without chrome highlights.

A square **outer plate** is part of the zero clearance model (see right). An optional arched backing plate is available for arch inserts. Ask your Valor dealer for details.



A wide range of diverse venting solutions unique to the Portrait Series make home renovations easier.



LEDGEVIEW PEWTER + BACKING PLATE 546LFPWZC
DRIFTWOOD + FLUTED BLACK LINER 530DWK

MODERN FRONTS

The small footprint of these modern fronts makes them ideal for intimate home spaces.

LEDGEVIEW

With minimal impact on actual floor space, the Ledgeview's slim design sits above the hearth, ideal for kitchens, dens, lofts and other small spaces.

PEWTER **NEW**

BLACK

BRONZE

BRUSHED NICKEL





Finished in powder-coated paint, plated brushed nickel or in an artisan hand-crafted patina, these fronts are made to last.

CLEARVIEW

This popular front is designed to sit on the hearth.

LEDGE

The original contemporary Portrait, also available in Patina. An optional backing plate is available. Zero Clearance only.

VINTAGE IRON



BLACK



BRUSHED NICKEL





TRADITIONAL FRONTS

Although traditional in design, these modest cast iron fronts look great in traditional and contemporary settings. Beautiful attention to detail is apparent as flames reflect off the cast contours and immaculate detailing, radiating warmth. To see more examples, go to valorfireplaces.com



◀ PRESIDENT

Compact backing plate options provide an attractive transition to existing stone and mantel work—a welcomed feature when preserving the heritage look of your home. Also available as a freestanding stove.



PRESIDENT 536CXBI
BACKING PLATE 582CPB
TRADITIONAL LOGS +
RED BRICK REVERSIBLE LINER 530LSK



◀ **BOLERO**

The Bolero art deco feel offers a unique look that adapts to your interior.

Cast surfaces are polished smooth, then plated for a stunning finish.



◀ **SENATOR**

Highlighting the fine art of quality cast iron design, the Senator fits comfortably in both well appointed and understated settings.



FINISHES

All our rich, durable finishes are powder-coated or plated and then hand-finished for a longlasting finish.

PEWTER



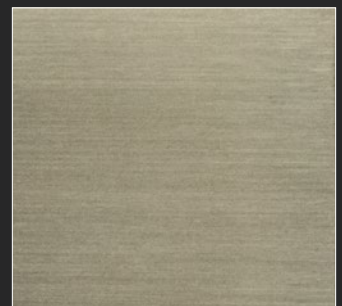
VINTAGE IRON



BRONZE



BRUSHED NICKEL

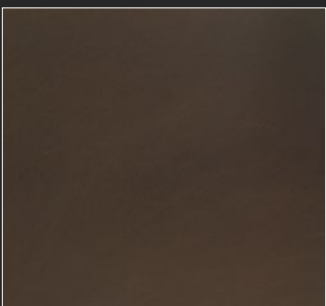




LEDGEVIEW BRUSHED NICKEL +
BACKING PLATE 546LFNZC
ROCKS 530RSK
REFLECTIVE GLASS LINER 580RGL

If available, ask your dealer to see an example in person as colors may appear different in various lights. To see examples online, go to valorfireplaces.com

PATINA



CHROME HIGHLIGHTS



BRUSHED CHROME



POLISHED CAST IRON



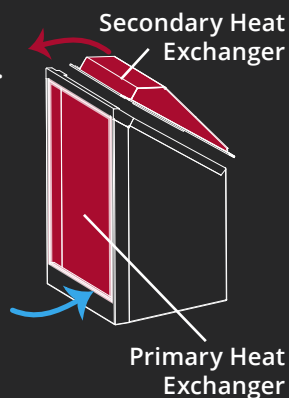


SENATOR 563SCB
 COAL + RED BRICK
 REVERSIBLE LINER 530CSK

ENERGY EFFICIENCY

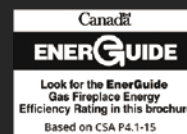
SECONDARY HEAT EXCHANGER

The built-in Secondary Heat Exchanger naturally improves convective heat—removing the need for a fan. Your fire will heat up fast for immediate comfort—and with no need for electricity, you'll save money. To find out more, visit valorfireplaces.com/efficiency



MODEL	FUEL	BTU/HR MAX. INPUT	MIN. INPUT	MAX. OUTPUT*	EnerGuide*
530IN	NG	20,500	6,500	15,117	70.2%
530IP	LPG	19,000	12,500	14,476	70%
530INI	NG	20,500	6,500	13,223	64%
530IPI	LPG	19,000	12,500	13,100	66%

* EnerGuide Ratings and Outputs have been determined without a fan/blower, using the CSA P4.1-15 test method. Certified to ANSI Z21.88 / CSA 2.33 Vented Gas Fireplace Heater American National Standard. CGA - 2.17-91 Gas Fired Appliances for use at High Altitudes





REMOTE CONTROL

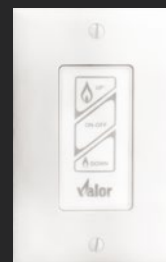
VALOR REMOTE—STANDARD

Every Valor includes a remote. Your remote lets you select, adjust or program your desired temperature—the fire automatically adjusts to maintain the temperature of the room. Your remote even allows you to turn your pilot light on or off from the comfort of your sofa.



VALOR WALL SWITCH—OPTIONAL

Can't find your remote? The optional wall switch, 1265WSK, allows you to do basic functions, such as turn the fire on and off, and adjust the flames up and down.



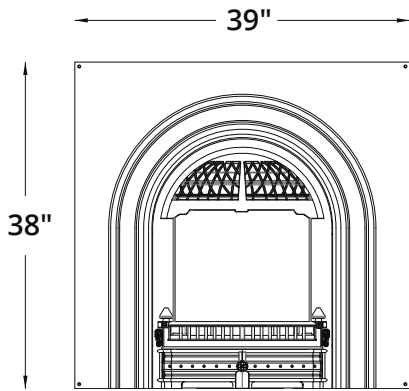
Find out more at valorfireplaces.com/remotes

ZERO CLEARANCE (ZC)



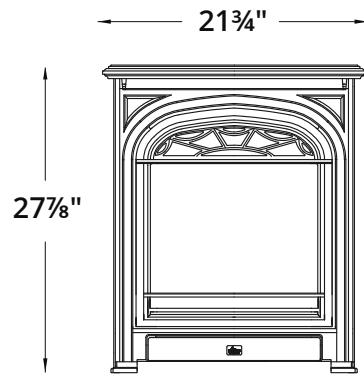
The Windsor and Classic Arch ZC fronts include an outer plate, and can also be used as inserts.*

WINDSOR ARCH ZC



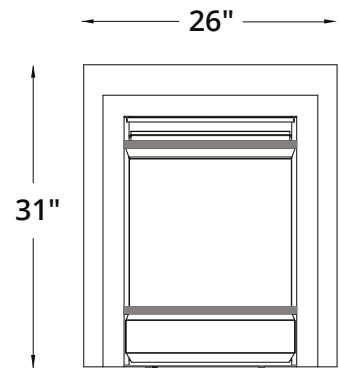
The President, Senator and Bolero ZC fronts include a framing plate (not shown).

PRESIDENT ZC

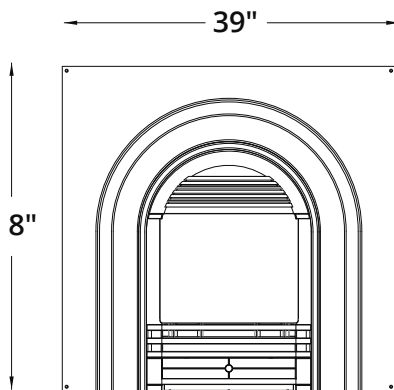


The Clearview and Ledgeview ZC fronts include a backing plate, while the Ledge has an optional backing plate.

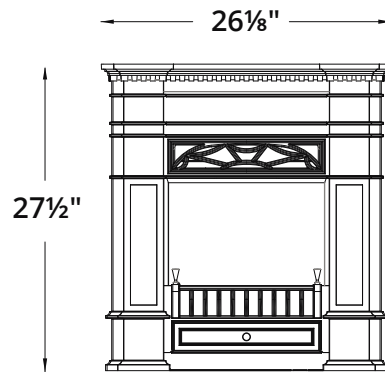
CLEARVIEW ZC



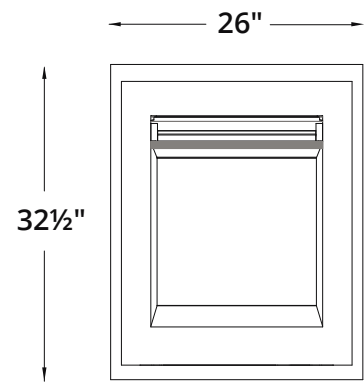
CLASSIC ARCH ZC



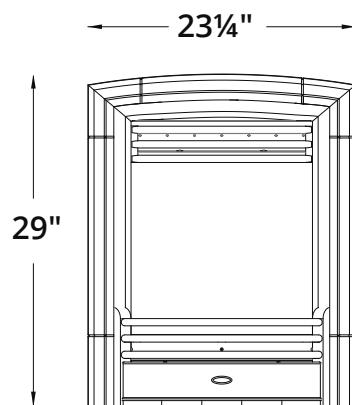
SENATOR



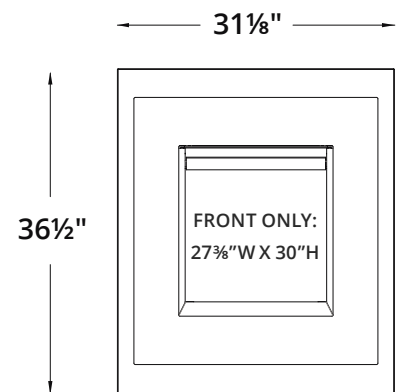
LEDGEVIEW



BOLERO



LEDGE ZC ONLY



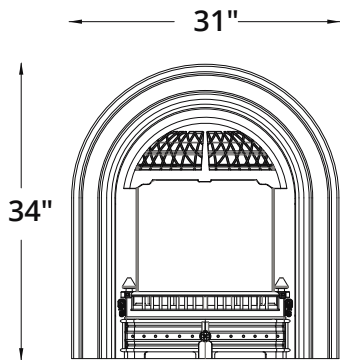
* To use as insert, please contact your local dealer for more information.

INSERTS (IN)



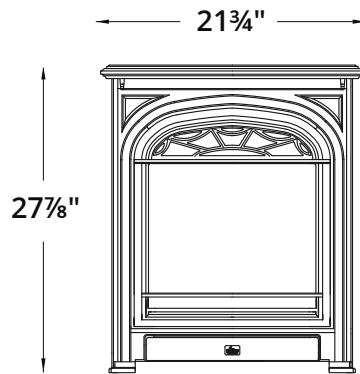
An optional arched backing plate is available for the Windsor Arch insert fronts.

WINDSOR ARCH



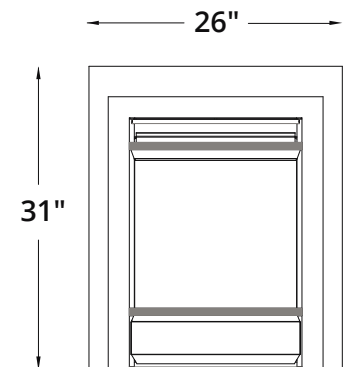
The President, Senator and Bolero insert fronts require closure plates (not shown).

PRESIDENT

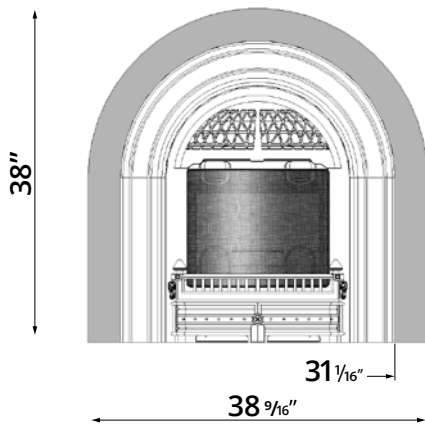


The Clearview and Ledgeview Insert fronts include backing plates. See below:

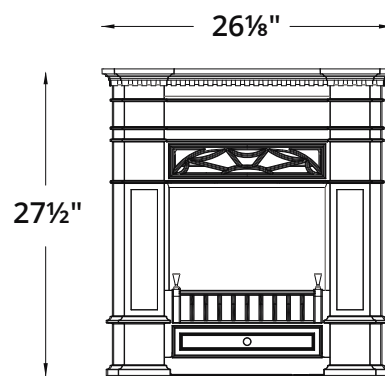
CLEARVIEW



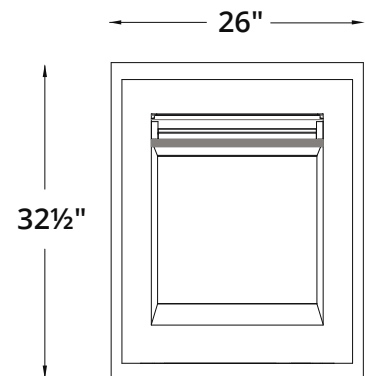
OPTIONAL ARCH BACKING PLATE



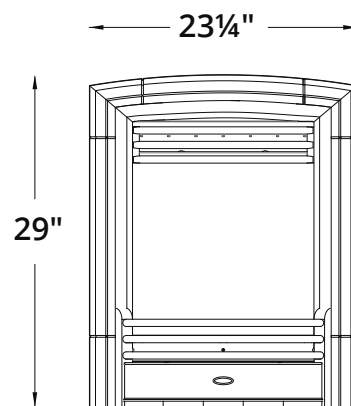
SENATOR



LEDGEVIEW



BOLERO

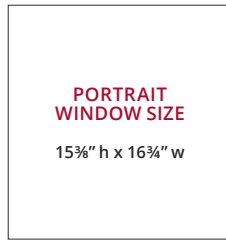


DIMENSIONS

ZC FRAMING

	H	W	D
President	38"	26¼"	11"
Senator	38"	26¼"	11"
Bolero	38"	26¼"	12"
Windsor Arch	37"	26¼"	13⅛"
Classic Arch	37"	26¼"	13⅛"
Clearview	32"	22½"	12¾"
Ledgeview*	32"	22½"	12¾"
Ledge	30¼"	22½"	12¾"

Note: Allow for more depth if using a rear vent elbow.



INSERT

MINIMUM CAVITY

	H	W	D
President	25¼"	20"	9"
Senator	25¼"	20"	9"
Bolero	25¼"	20"	10"
Windsor Arch	25¼"	20"	11½"
Classic Arch	25¼"	20"	11½"
Clearview	25¼"	20"	11⅜"
Ledgeview*	25¼"	20"	11⅜"

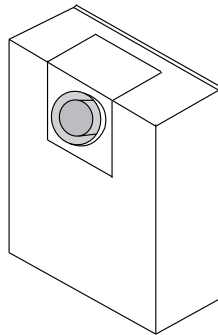
* Ledgeview is a 4-sided front and must sit a minimum 1½" above the hearth.

Always refer to the manual for complete installation instructions:
valorfireplaces.com/manuals

ENGINE OPTIONS

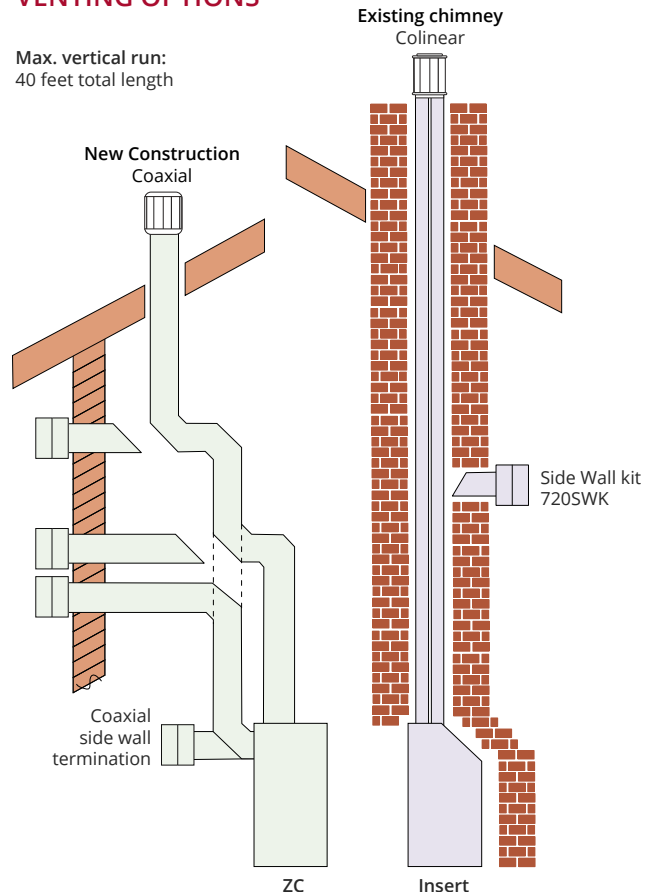
Zero Clearance 530IN/530IP

- Coaxial venting ideal for built-in ZC applications.
- Slim engine depth.
- Direct vent coaxial system convertible to colinear.
- Engine can be either top or rear vented.
- Improved window latch for ease of service.



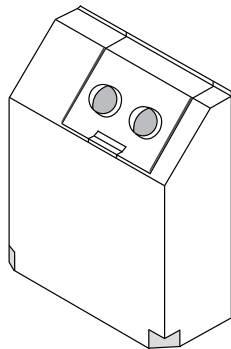
VENTING OPTIONS

Max. vertical run:
40 feet total length



Insert 530INI/530IPI

- Colinear vent collar plate ideal for inserting into existing solid fuel fireplaces.
- Tapered fire box venting and slim design for fitting difficult chimney cavities.
- Adaptable direct vent colinear flex venting.
- Removable tapered venting collar for ease of install.
- Improved window latch for ease of service.



COMPONENTS

DIRECT VENT ENGINES

Natural Gas	530IN
Propane	530IP

ZC

INSERT

530INI
530IPI

1 FUEL BEDS WITH LINERS

Coal + Red Brick/ Black Fluted reversible liner	530CSK
Traditional Logs + Red Brick/Black Fluted reversible liner	530LSK
Rocks + Black Fluted liner	530RSK
Driftwood + Black Fluted liner	530DWK

530CSK
530LSK
530RSK
530DWK

2 FRONT + BACKING PLATES

All ZC fronts include an outer or backing plate except Ledge, which offers an optional ZC backing plate.

FRONT

Windsor Arch Black ZC	539AFBv2
Windsor Arch Chrome ZC	539AFPv2
Classic Arch Chrome ZC	550CPAv2
Windsor Arch Black Insert	
Windsor Arch Chrome Insert	
Clearview Vintage Iron	545CFVZC
Ledgeview Pewter	546LFPWZC
Ledgeview Black	546LFBZC
Ledgeview Brushed Nickel	546LFNZC
Ledgeview Bronze	546LFZZC
President	536CXB
Senator	563SCB
Bolero	541BPC
Ledge Black	569LFB
Ledge Brushed Nickel	569LFN
Ledge Patina	569LFP

ZC

INSERT

INSERT BACKING PLATES

ZC OK as insert. See manual.

549AFBv2	+ optional Arched Plate 549APB
549AFPv2	
545CFV	+ included backing plate; optional 583CPB
546LFPW	
546LFB	
546LFN	+ included backing plate
546LFZ	
536CXBI	+ required 336CP, 582CPB or 583CPB
ZC OK as insert. See manual.	+ required 582CPB or 583CPB

3 OPTIONAL

Ledge ZC backing plate	570FPB
Reflective Glass liner	580RGL
Traditional Black Cast Iron fret	545TFB
Firebox Grille panel (except with Coals)	567FGP
1 Hour Shut Down Handset	GV60BRK
Non-Thermostat Handset	GV60NTK
Wall Switch	1265WSK
Remote Battery and Wall Switch	RBWSK
Outdoor Conversion Kit	GV60CKO



⚠ WARNING

This product can expose you to chemicals including Benzene, which is known to the State of California to cause cancer and birth defects or other reproductive harm.

For more information go to www.P65Warnings.ca.gov

Note: Natural gas, in its original state, contains Benzene.

BOLERO + FRAMING PLATE 541BPC
TRADITIONAL LOGS +
RED BRICK REVERSIBLE LINER 530LSK

